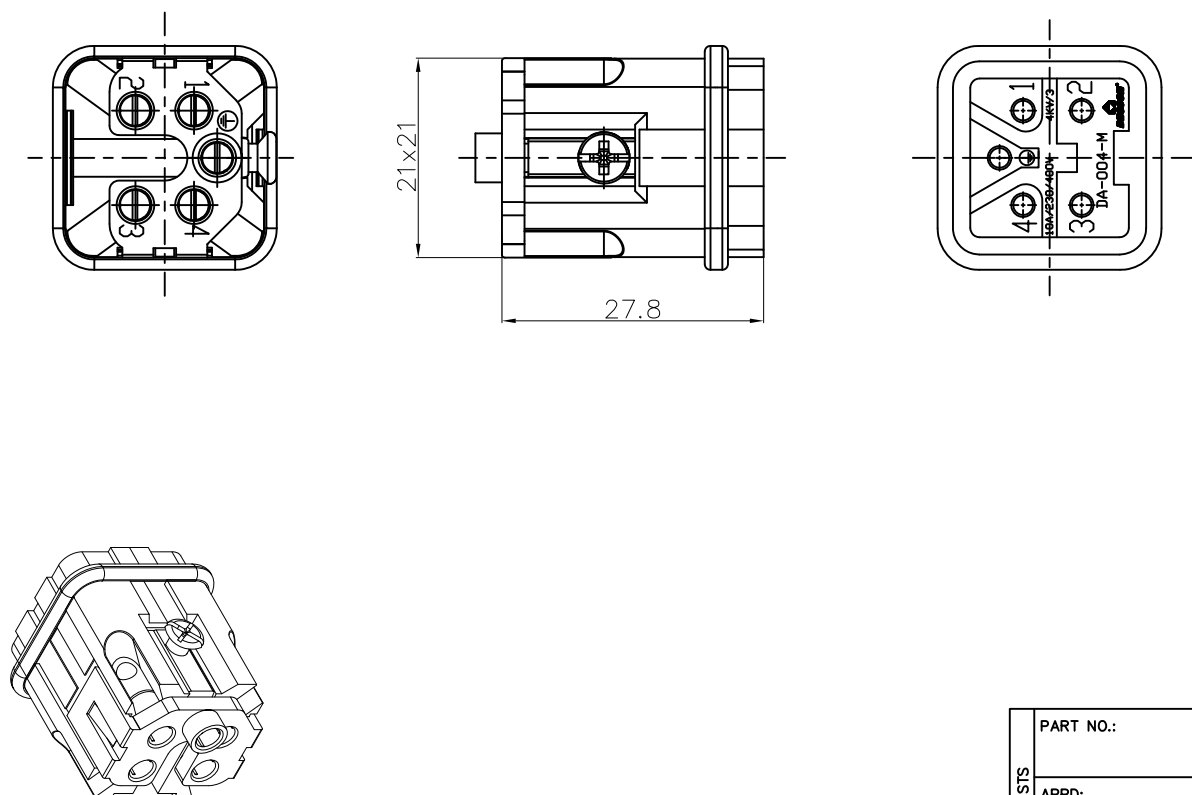


REVISION RECORD				
REV	ECN	DESCRIPTION	DRFT	DATE



Technical characteristics:

Specifications

DIN EN 60 664-1


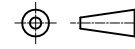
DIN EN 61 984

Inserts

- 01. Number of contacts :4+PE
- 02. Rated Current :10A
- 03. Rated Voltage conductor-ground :230V
- 04. Rated Voltage conductor-conductor :400V
- 05. Pollution degree :3
- 06. Rated impulse voltage :4kv₁₀
- 07. Insulation resistance :≥10 Ω
- 08. Material:Polycarbonate
- 09. Rated voltage acc. to UL/CSA:600V
- 10. Limiting temperatures : -40℃~+125℃
- 11. Flammability acc. to UL94:V0
- 12. Mechanical working life (mating cycles) :≥500

Contacts

- 01. Material:Copper alloy
- 02. Surface:hard-silver plated
- 03. Contact resistance :≤1mΩ
- 04. Terminal :Screw terminal
- 05. Wire gauge :1.0-2.5mm² (AWG 18-14)
- 06. Tightening torque :0.25Nm
- 07. Stripping length :7mm
- 08. Rohs Compliance

DETACHED LISTS	PART NO.:	/			 宁波高松电子有限公司 NINGBO DEGSON ELECTRICAL CO., LTD
	APPD:	NAME:			
	CHKD:	DA-004-M			
	DRFT: yang 2016.07.25	TITLE: CUSTOMER DRAWING	REV	D0-1	
 THIRD ANGLE PROJECTION		DRAWING NO.: DA-004-M-E01	SHEET	1/1	
		MM (INCH)	DO NOT SCALE DRAWING	SCALE	