

REVISION RECORD				
REV	ECN	DESCRIPTION	DRFT	DATE

Technical characteristics:

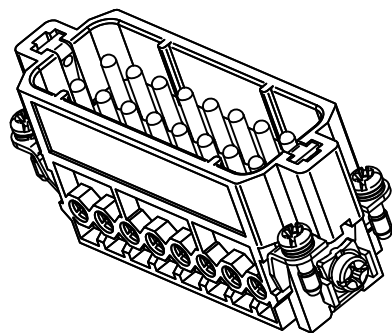
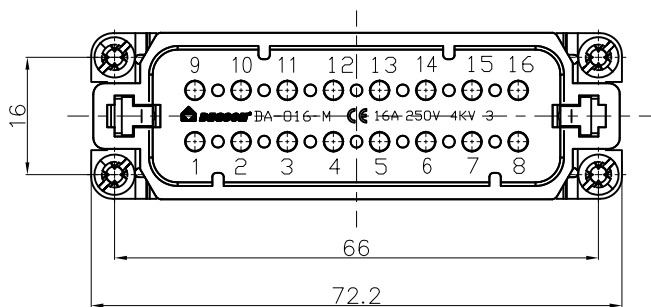
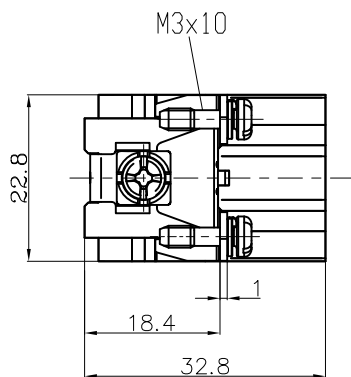
Specifications
 DIN EN 60 664-1
 DIN EN 61 984


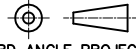

Inserts

- 01. Number of contacts :16+PE
- 02. Rated Current :16A
- 03. Rated Voltage :250V
- 04. Pollution degree :3
- 05. Rated impulse voltage :4kv
- 06. Insulation resistance : $\geq 10^{10} \Omega$
- 07. Material:Polycarbonate
- 08. Rated voltage acc. to UL/CSA:600V
- 09. Limiting temperatures : $-40^{\circ}\text{C} \sim +125^{\circ}\text{C}$
- 10. Flammability acc. to UL94:V0
- 11. Mechanical working life
 (mating cycles) : ≥ 500

Contacts

- 01. Material:Copper alloy
- 02. Surface:hard-silver plated
- 03. Contact resistance : $\leq 1\text{m}\Omega$
- 04. Terminal :Screw terminal
- 05. Wire gauge :1.0-2.5mm² (AWG 18-14)
- 06. Tightening torque :0.5Nm
- 07. Stripping length :7.5mm
- 08. Rohs Compliance



DETACHED LISTS	PART NO.:	/			 宁波高松电子有限公司 NINGBO DEGSON ELECTRICAL CO., LTD
	APPD:	NAME:			
	CHKD:	DA-016-M			
	DRFT: yang 2016.07.25	TITLE: CUSTOMER DRAWING	REV	D0-1	
 THIRD ANGLE PROJECTION	DRAWING NO.: DA-016-M-E01	SHEET	1/1		
	 MM (INCH)	DO NOT SCALE DRAWING	SCALE		