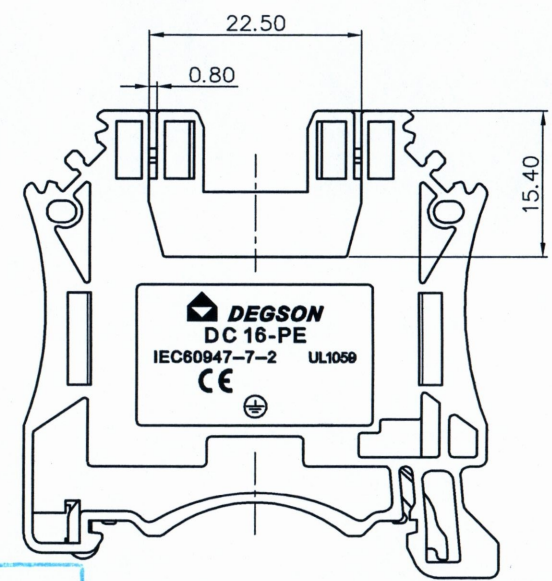
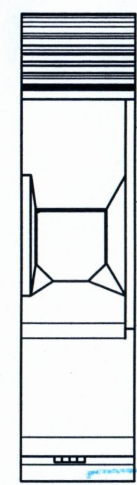
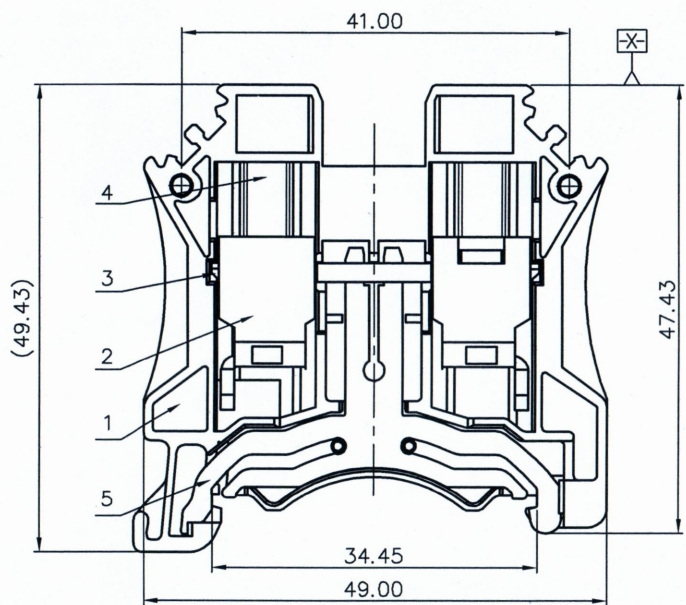
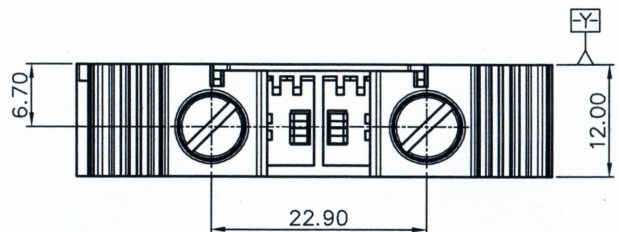


REVISION RECORD				
REV	ECN	DESCRIPTION	DRFT	DATE



仅供参考图
 签字: [Signature]
 日期: 2016.08.31

NOTES1:

- UL Standard
- 1.Torque value : M5 , 27.0Lb.in
- 2.Wire range : 14~3AWG

IEC Standard

1. Pollution degree	3
Overvoltage category	III
Rate impulse voltage(KV)	8.0KV
Rate voltage(V)	/ V
Rate current(A)	/ A

- 2.Torque value : M5 , 2.5N·m
- 3.Wire range : 1.5~25mm²

NOTES2:

- 1.Dimension shall be interpreted per ASME Y14.5-2009
- 2.Stripping length : 12~13mm
- 3.Operating temperature: -40°C~+105°C
- 4.Undimensioned tolerances:

Pitch range in mm		Nominal dimension range in mm						
TO	Over	TO	Over	TO	Over	TO	Over	
6	10	10	30	30	60	100	150	0.1/10
6	10	24	30	60	100	150		<
±0.15	±0.20	±0.30	±0.30	±0.50	±0.70	±1.00	±1.30	±2'

5.RoHS Compliance

ITEM	NAME OF PART	MATERIAL	NOTES
5	GROUNDING	PHOSPHOR BRONZE	Sn plated
4	SCREW	STEEL	M5/Zn plated
3	CURRENT CARRIER	COPPER	Sn plated
2	CAGE	STEEL	M5/Zn plated
1	HOUSING	PA66	UL94V-0

DETACHED LISTS	PART NO.: /	宁波高松电子有限公司 NINGBO DEGSON ELECTRICAL CO., LTD		
	APPD: Alan 09/30/16"	NAME: DC16-PE-01P-1C-00A(H)		
	CHKD:	TITLE: CUSTOMER DRAWING		
	DRFT: ding 07/04/16"	DRAWING NO.: DC16-PE-C01	REV: D0-1	SHEET: 1/1
THIRD ANGLE PROJECTION		DO NOT SCALE DRAWING	SCALE: 1:1	