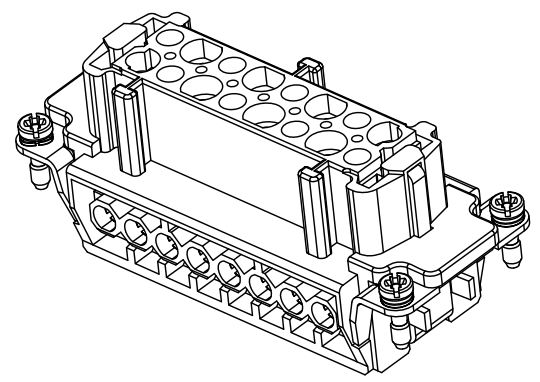
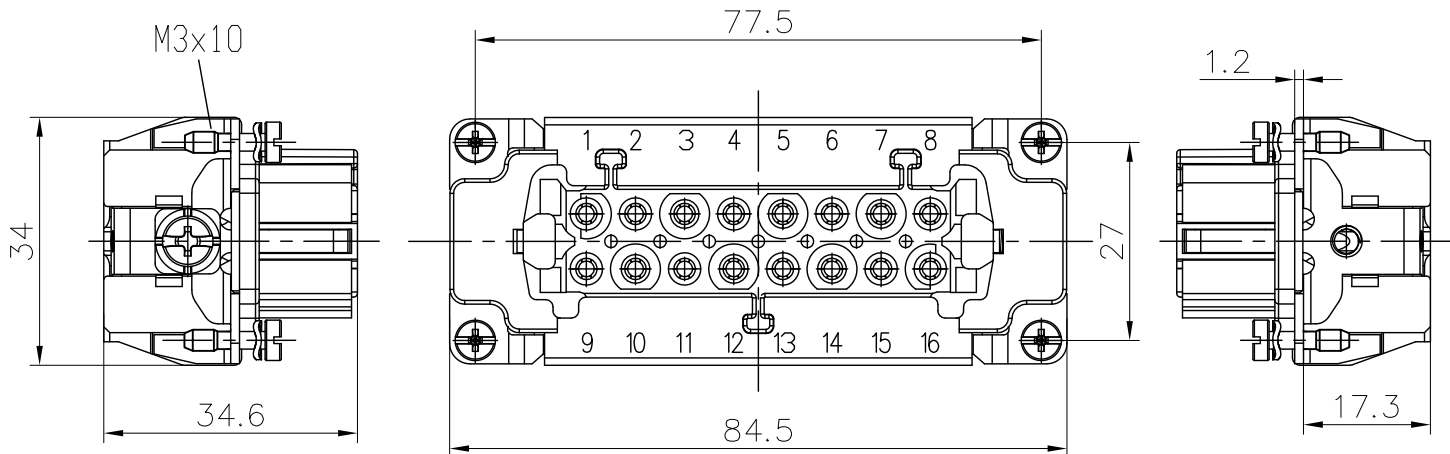


REVISION RECORD				
REV	ECN	DESCRIPTION	DRFT	DATE



Technical characteristics:

Specifications
 DIN EN 60 664-1
 DIN EN 61 984

- Inserts
- 01. Number of contacts :16+PE
 - 02. Rated Current :16A
 - 03. Rated Voltage :500V
 - 04. Pollution degree :3
 - 05. Rated impulse voltage :6kv
 - 06. Insulation resistance : $\geq 10^{10} \Omega$
 - 07. Material:Polycarbonate
 - 08. Rated voltage acc.to UL/CSA:600V
 - 09. Limiting temperatures : -40°C ~ +125°C
 - 10. Flammability acc.to UL94:V0
 - 11. Mechanical working life (mating cycles) : ≥ 500

- Contacts
- 01. Material:Copper alloy
 - 02. Surface:hard-silver plated
 - 03. Contact resistance : $\leq 1m \Omega$
 - 04. Terminal :Screw terminal
 - 05. Wire gauge :1.0-2.5mm² (AWG 18-14)
 - 06. Tightening torque :0.5Nm
 - 07. Stripping length :7.5mm
 - 08. Rohs Compliance

DETACHED LISTS	PART NO.:	/				宁波高松电子有限公司 NINGBO DEGSON ELECTRICAL CO., LTD		
	APPD:	NAME:				DE-016-F		
	CHKD:	DRFT: Mr.Yang 2016.08.08			TITLE: CUSTOMER DRAWING			
	 THIRD ANGLE PROJECTION		DRAWING NO.:		/		REV	DO
			MM (INCH)		DO NOT SCALE DRAWING		SHEET	1/1
						SCALE	1:1	