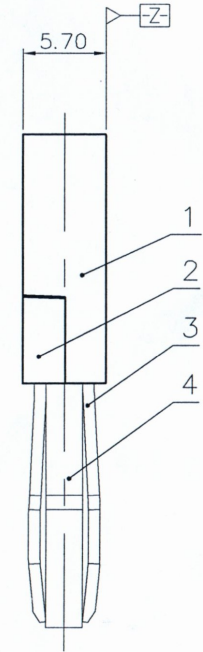
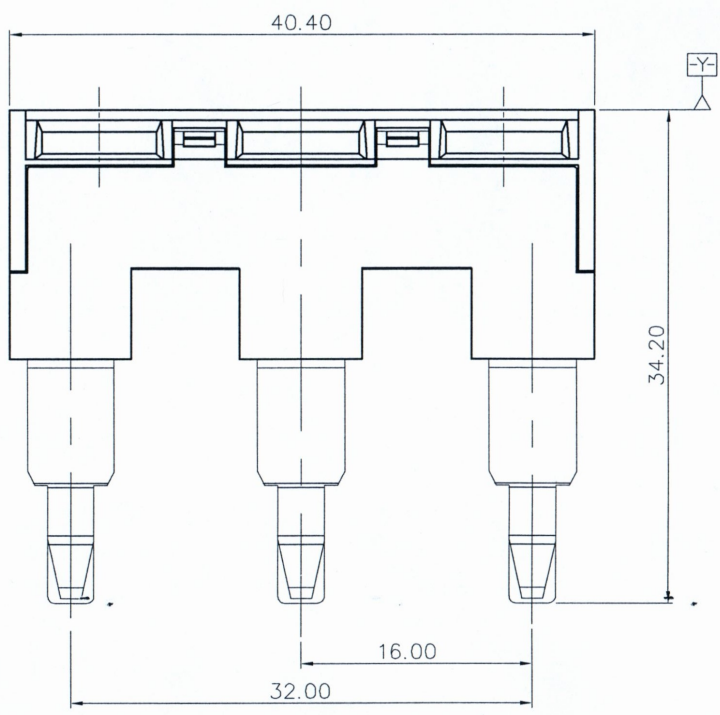
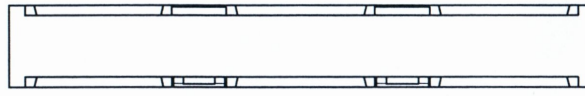
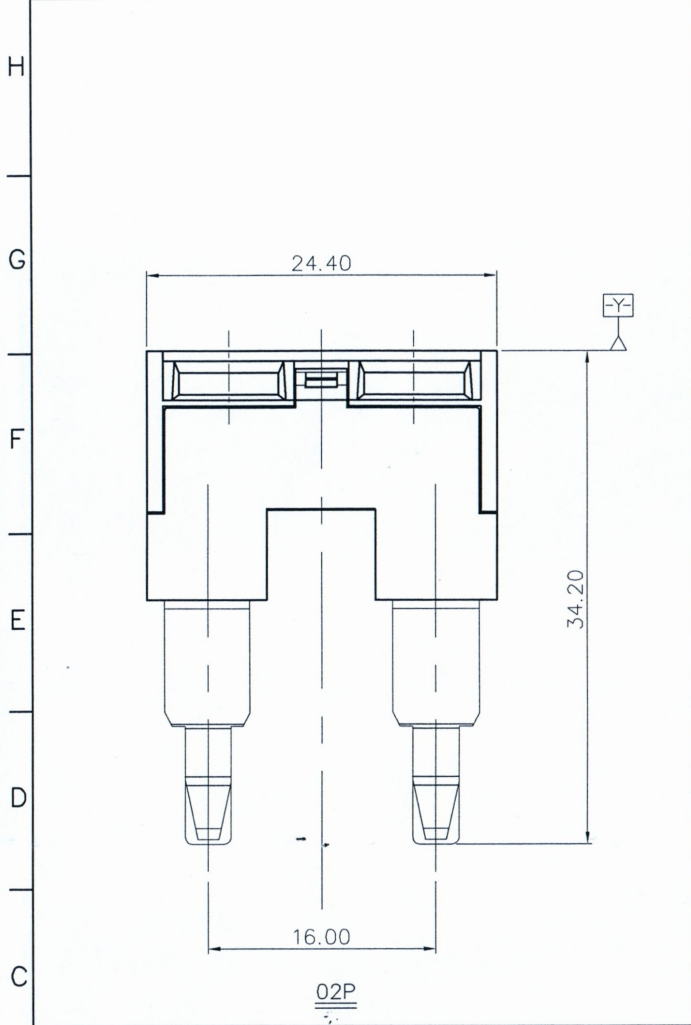


REVISION RECORD				
REV	ECN	DESCRIPTION	DRFT	DATE



NOTES:

- 1.Dimension shall be interpreted per ASME Y14.5-2009
- 2.Pitch : 16.00mm, Poles : N=02P&03P
- 3.Operating temperature: -40°C~+105°C
- 4.Undimensioned Tolerances:

Pitch range in mm		Nominal dimension range in mm					-	∩	□
TO	Over TO	Over TO	TO	Over TO	Over TO	Over TO	0.1/10	<	
6	10	10	30	30	60	100	150	<	
±0.15	±0.20	±0.30	±0.30	±0.50	±0.70	±1.00	±1.30	±2'	

5.RoHS Compliance

仅供参考图  
 签字: 蓝安华  
 日期: 2016.10.31

4	CONDUCTOR 2	COPPER ALLOY	Sn Plated
3	CONDUCTOR 1	COPPER ALLOY	Sn Plated
2	COVER	PA66	UL94V-0
1	HOUSING	PA66	UL94V-0
ITEM	NAME OF PART	MATERIAL	NOTES

DETACHED LISTS	PART NO.:	宁波高松电子有限公司 NINGBO DEGSON ELECTRICAL CO., LTD			
	APPD: Alan 10/31/16"	NAME: DFA35-XXP-1Y-00A(H)			
	CHKD: ZYK 10/31/16"	TITLE: CUSTOMER DRAWING			
	DRFT: ZYK 07/15/16"	DRAWING NO.:	DFA35-C01	REV	DO-1
		DRAWING NO.: DFA35-C01 SHEET: 1/1 DO NOT SCALE DRAWING SCALE: 1:1			