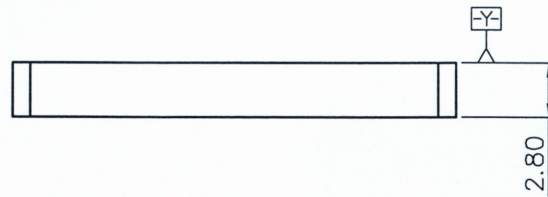
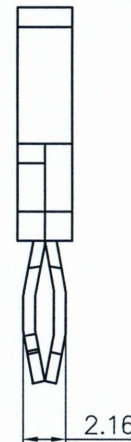
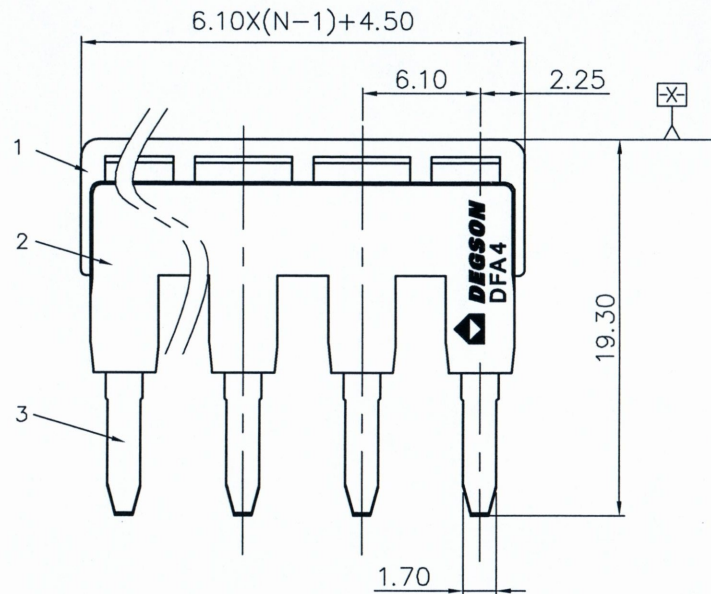


REVISION RECORD				
REV	ECN	DESCRIPTION	DRFT	DATE



仅供参考图
 签字: 薛贵凡
 日期: 2016.10.06.



NOTES2:

- 1.Dimension shall be interpreted per ASME Y14.5-2009
- 2.Pitch : 6.1mm, Poles : N=02~10P
- 3.Operating temperature: -40°C~+105°C
- 4.Undimensioned Tolerances:

Pitch Range In mm		Nominal Dimension Range In mm						-	∩	∇
TO	Over TO	Over TO	Over TO	Over TO	Over TO	Over TO	0.1/10			
6	10	24	30	60	100	150	<			
±0.15	±0.20	±0.30	±0.30	±0.50	±0.70	±1.00	±1.30	±2'		

5.RoHS Compliance

ITEM	NAME OF PART	MATERIAL	NOTES
3	Bridgware	Copper	Sn plated
2	Cover	PA66	UL94V-0
1	Housing	PA66	UL94V-0

DETACHED LISTS	PART NO.: /	宁波高松电子有限公司 NINGBO DEGSON ELECTRICAL CO., LTD		
	APPD: Alan 10/06/16'	NAME: DFA4-XXP-1Y-00A(H)		
	CHKD:	TITLE: CUSTOMER DRAWING		
	DRFT: ding 03/07/16"	REV	T0-1	
		DRAWING NO.: DFA4-C01	SHEET	1/1
	MM (INCH)	DO NOT SCALE DRAWING	SCALE 1:1	