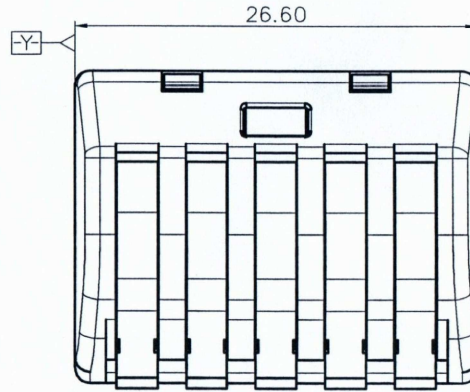


REVISION RECORD				
REV	ECN	DESCRIPTION	DRFT	DATE

NOTES1:

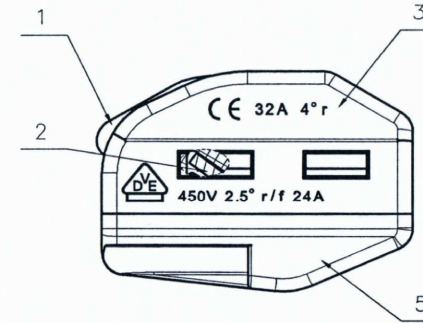
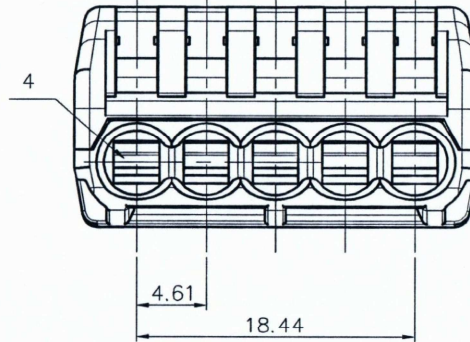
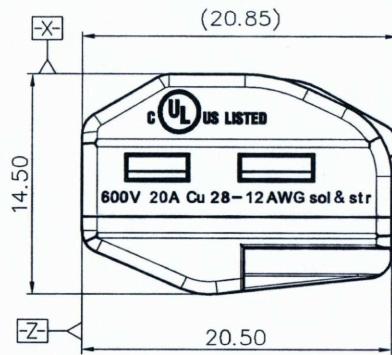
- UL Standard
 - Rated voltage/current : 600V / 20A
 - Wire range : 28~12AWG
- VDE Standard
 - Rated voltage/current : 450V / 24A
 - Wire range : 0.2~2.5mm²
- IEC Standard
 - Rated voltage/current : 450V / 32A
 - Wire range : 0.2~2.5mm²(str)
0.2~4.0mm²(sol)



DG223 - 4.61 - 05P - 1Y - 00A (H)

(Series No.) (Pitch) (Poles) (Single Pitch) (Color):

- (RoHS)
- 00A--(Standard)
- 1.(Grey)
- 2.(Blue)
- 3.(Black)
- 4.(Green)
- 5.(Orange)
- 6.(Red)
- 7.(Transparent)
- 8.(Yellow)
- 9.(White)

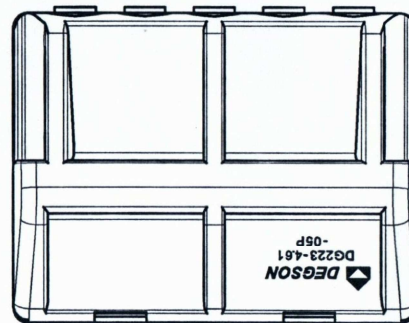


NOTES2:

- Dimension shall be interpreted per ASME Y14.5-2009
- Pitch : 4.61mm, Poles : N=05P
- Stripping length : 9~10mm
- Withstanding voltage : AC2500V/1Min
- Operating temperature: -40°C~+105°C
- Undimensioned tolerances:

Pitch range in mm	Nominal dimension range in mm							0.1/10
	Over 6 TO 6	Over 10 TO 10	Over 24 TO 24	Over 30 TO 30	Over 60 TO 60	Over 100 TO 100	Over 150 TO 150	
±0.15	±0.20	±0.30	±0.30	±0.50	±0.70	±1.00	±1.30	±.2

7.RoHS Compliance



仅供参考图
签字: [Signature]
日期: [Date]

ITEM	NAME OF PART	MATERIAL	NOTES
5	Housing	PA66	UL94V-0
4	Spring	Stainless steel	
3	Cover	PA66	UL94V-0
2	Current carrier	Copper alloy	Sn Plated
1	Button	POM	UL94HB

DETACHED LISTS	PART NO.: /	宁波高松电子有限公司 NINGBO DEGSON ELECTRICAL CO., LTD		
	APPD: [Signature]	NAME: DG223-4.61-05P-1Y-00A(H)		
	CHKD: [Signature]	TITLE: CUSTOMER DRAWING		
	DRFT: MEK 07/08/16"	DRAWING NO.: DG223-4.61-C03	REV	DO-1
THIRD ANGLE PROJECTION		MM (INCH)	DO NOT SCALE DRAWING	SCALE 1:1