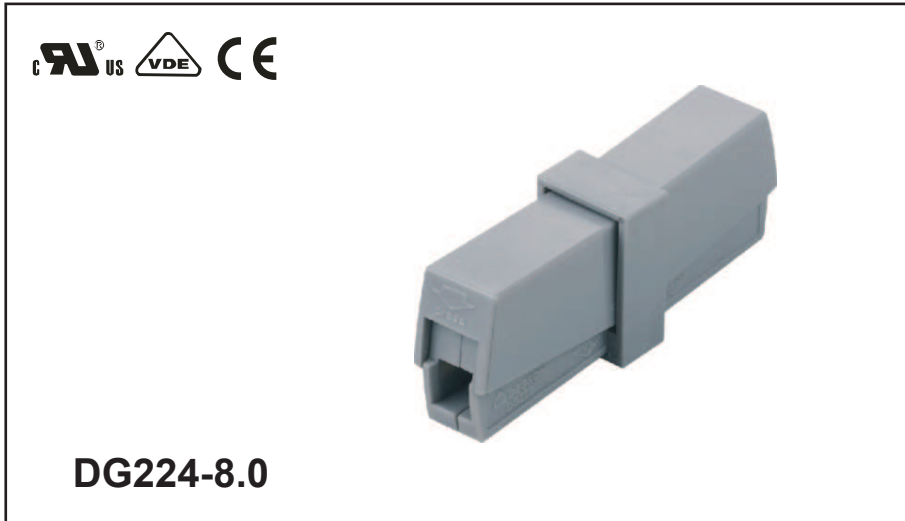


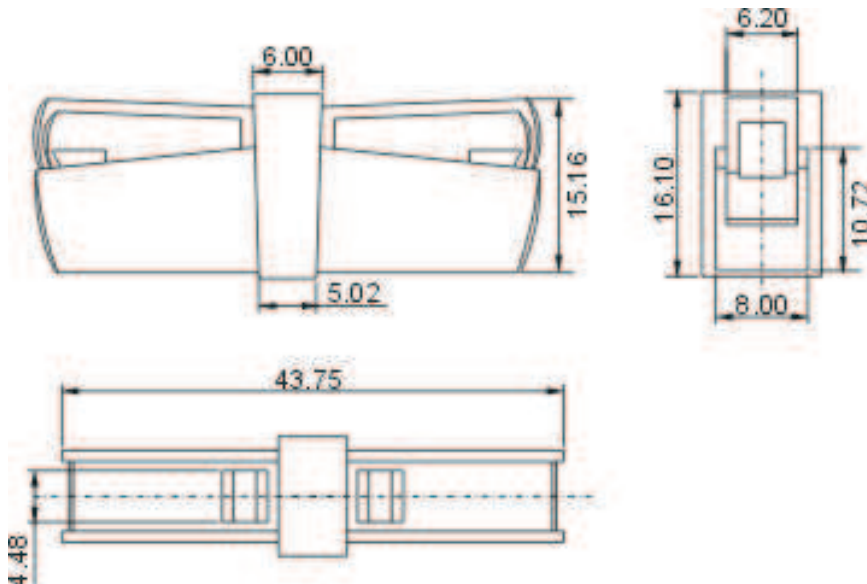


# DEGSON ELECTRONICS CO., LTD.

## Product Specification



<b>Approval</b>		
<b>Electrical</b>		
<b>Standard</b>	<b>UL</b>	<b>IEC</b>
Rated voltage	300V	450V
Rated current	20A	24A
Wire range	22-12AWG	0.2-2.5mm <sup>2</sup>
Withstanding voltage	AC2500V/1Min	
<b>Mechanical</b>		
Ambient temperature	-40°C~+105 °C	
Strip length	9-11mm	
<b>Dimensions</b>		
Pitch	8.0mm(.315" )	
Poles	1P	
<b>Material</b>		
Housing	PA66,UL94V-0	
Pin header	copper	
Wire guard	Stainless steel	



### HOW TO ORDER :

-  **P** -  - 

X	X	X
Customer Request		

Series number      No. of pole      

1	Single pitch
2	Double pitch

**Color**

1 Grey	4 Green	7 Trans Parent
2 Blue	5 Orange	8 Yellow
3 Black	6 Red	9 White

	<b>DEGSON ELECTRONICS CO., LTD.</b>
	<b>NAME</b> <b>DG224-8.0</b>