

REVISION RECORD

REV	ECN	DESCRIPTION	DRFT	DATE
-----	-----	-------------	------	------

仅供参考图  
 签字: *[Signature]*  
 日期: 2015.09.01



NOTES1:

UL Standard

1. Rated Voltage/Current : 300V / 10A
2. Withstanding Voltage : AC1600V/1Min.
3. Wire Range : 26~16AWG

IEC Standard

1. Pollution Degree	2	2	3
Overvoltage Category	II	III	III
Rate Impulse Voltage(KV)	4KV	4KV	4KV
Rate Voltage(V)	630V	320V	250V
Rate Current(A)	9A		

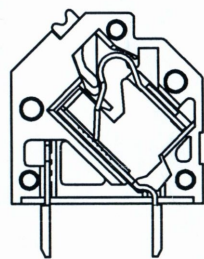
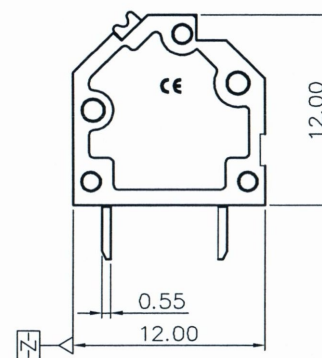
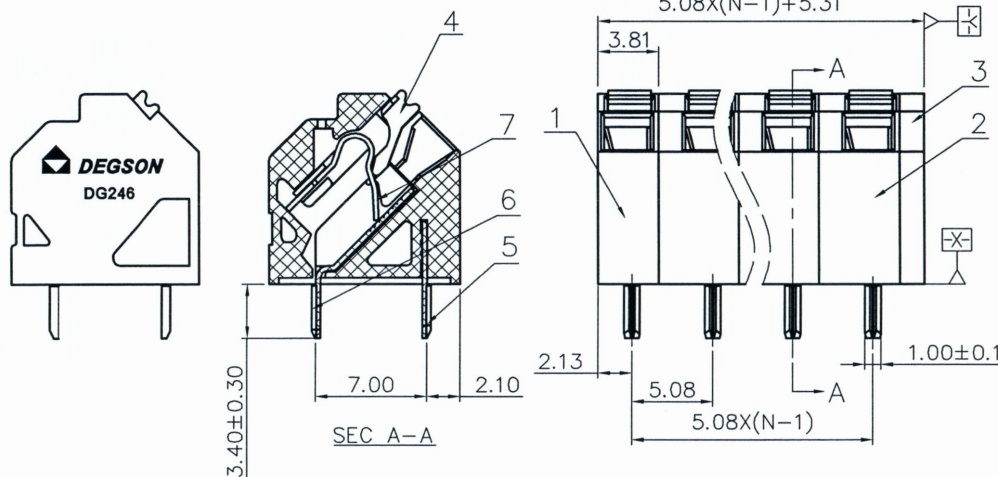
2. Wire Range : 0.2~1.5mm<sup>2</sup>

NOTES2:

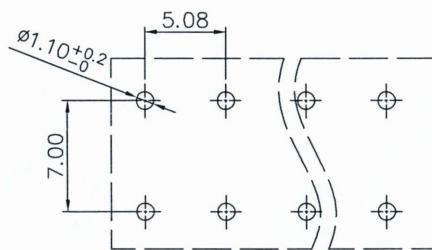
1. Dimension shall be interpreted per ASME Y14.5-2009
2. Pitch : 5.08mm, Poles : N=2~XXP
3. Stripping length : 10mm
4. Operating temperature : -40°C~+105°C
5. Undimensioned Tolerances:

Pitch Range In mm	Nominal Dimension Range In mm								Tolerance
	Over 6 TO 10	Over 10 TO 24	Over 30 TO 60	Over 60 TO 100	Over 100 TO 150	Over 150 TO 300	Over 300 TO 600	Over 600 TO 1200	
±0.15	±0.20	±0.30	±0.30	±0.50	±0.70	±1.00	±1.30	±2"	

6. RoHS Compliance



W/O COVER VIEW



PCB LAYOUT

ITEM	NAME OF PART	MATERIAL	NOTES
7	DG246 Spring	Stainless Steel	
6	DG246 Back Pin Header	COPPER ALLOY	Sn plated
5	DG246 Front Pin Header	COPPER ALLOY	Sn plated
4	DG246-Button	PA66	UL94V-0
3	DG246-Cover	PA66	UL94V-0
2	DG246-5.08 Housing	PA66	UL94V-0
1	DG246-3.81 Side Housing	PA66	UL94V-0

PART NO.: /		宁波高松电子有限公司	
APPD: <i>Alan 09/01/15</i>		DEGSON <sup>®</sup> NINGBO DEGSON ELECTRICAL CO., LTD	
CHKD: <i>Penny 9/1-15</i>		NAME: DG246-5.08-XXP-1Y-00A(H)	
DRFT: MEK 10/20/14		TITLE: CUSTOMER DRAWING	
THIRD ANGLE PROJECTION		REV	D0-1
DRAWING NO.: DG246-5.08-C01		SHEET	1/1
MM (INCH)		DO NOT SCALE DRAWING	SCALE 1:1