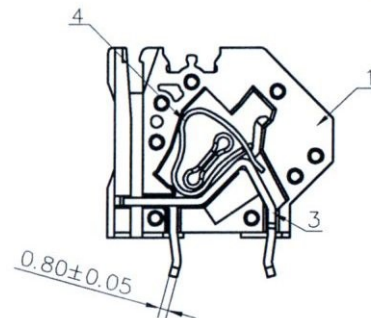
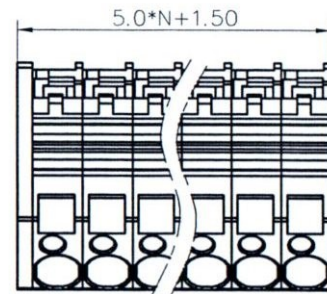
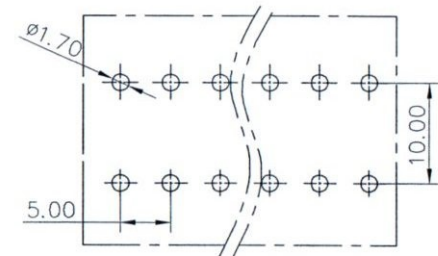
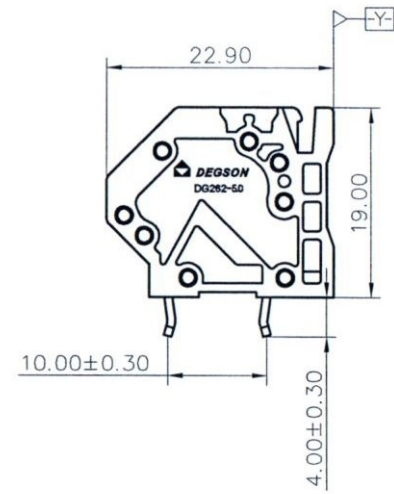
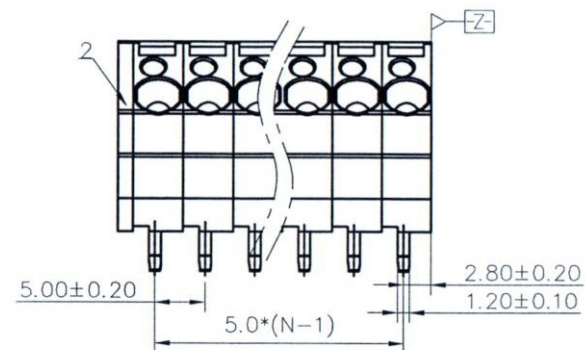
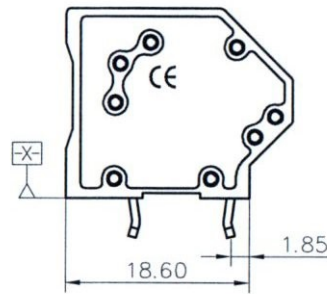


REVISION RECORD				
REV	ECN	DESCRIPTION	DRFT	DATE

仅供参考图
 签字: [Signature]
 日期: 3/28/15



W/O COVER VIEW



PCB LAYOUT

NOTES1:

- UL Standard
- 1. Rated Voltage/Current : 300V / 20A
- 2. Withstanding Voltage : AC1600V/1Min.
- 3. Wire Range : 28~12AWG

IEC Standard

1. Pollution Degree	2	2	3
	II	III	III
Rate Impulse Voltage(KV)	4.0KV	4.0KV	4.0KV
Rate Voltage(V)	630V	320V	320V
Rate Current(A)	32A		

2. Wire Range : 0.2~4mm²

NOTES2:

- 1. Dimension shall be interpreted per ASME Y14.5-2009
- 2. Pitch : 5.0mm, Poles : XXP
- 3. Stripping length : 8-9mm
- 4. Operating temperature: -40°C~+105°C
- 6. Undimensioned Tolerances:

Pitch Range in mm	Nominal Dimension Range in mm							0.1/10 <	
	Over 6 TO 10	Over 10 TO 24	Over 24 TO 30	Over 30 TO 60	Over 60 TO 100	Over 100 TO 150	Over 150		
	±0.15	±0.20	±0.30	±0.30	±0.50	±0.70	±1.00	±1.30	±2'

7. RoHS Compliance

ITEM	NAME OF PART	MATERIAL	NOTES
4	SPRING	STAINLESS STEEL	
3	HEADER	Copper Alloy	Sn-PLATED
2	COVER	PA66	UL94V-0
1	HOUSING	PA66	UL94V-0

DETACHED LISTS	PART NO.: /	宁波高松电子有限公司 DEGSON ® NINGBO DEGSON ELECTRICAL CO., LTD		
	APPD: Aaron 3/28/15	NAME: DG262-5.0-XXP-1Y-00A(H)		
	CHKD: Penny 3/26/15	TITLE: CUSTOMER DRAWING		
	DRFT: WWF 04/03/15"	REV: D0-1	SHEET: 1/1	
 THIRD ANGLE PROJECTION		DRAWING NO.: DG262-5.0-C01 DO NOT SCALE DRAWING		SCALE: 1:1