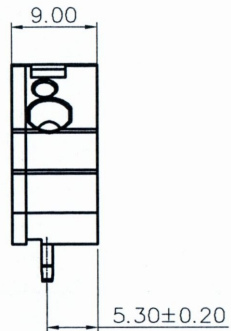
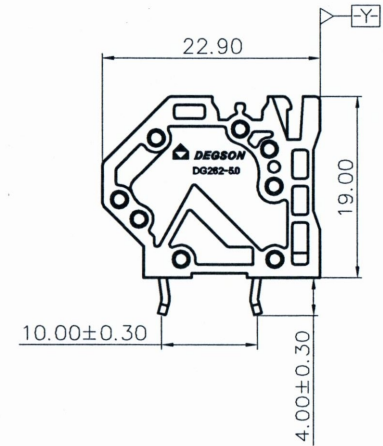
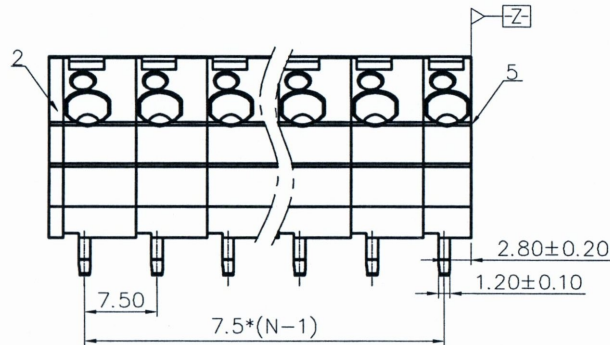
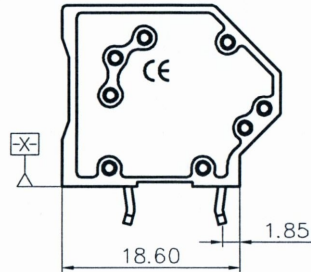
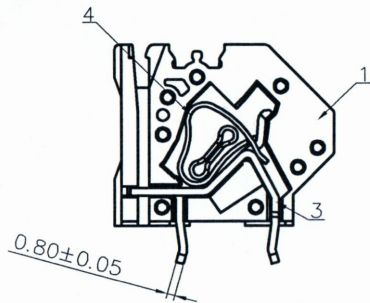
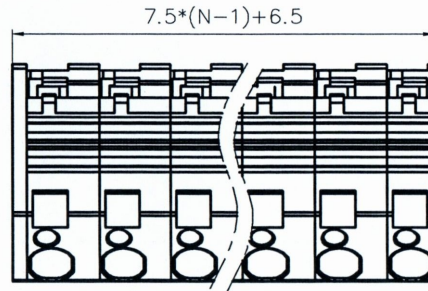


REVISION RECORD				
REV	ECN	DESCRIPTION	DRFT	DATE



01P



NOTES1:

UL Standard

- 1.Rated Voltage/Current : 300V / 20A
- 2.Withstanding Voltage : AC1600V/1Min.
- 3.Wire Range : 28~12AWG

IEC Standard

1. Pollution Degree	2	2	3
Overvoltage Category	II	III	III
Rate Impulse Voltage(KV)	6.0KV	6.0KV	6.0KV
Rate Voltage(V)	1000V	630V	500V
Rate Current(A)	32A		

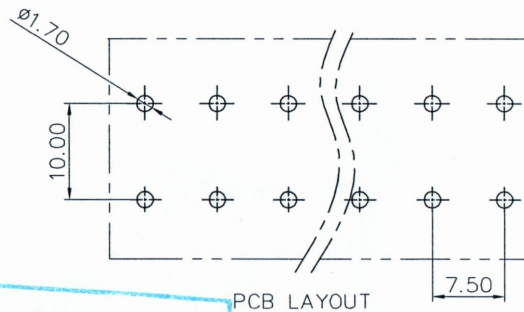
2.Wire Range : 0.2~4mm<sup>2</sup>

NOTES2:

- 1.Dimension shall be interpreted per ASME Y14.5-2009
- 2.Pitch : 5.0mm, Poles : 01P~XXP
- 3.Stripping length : 8-9mm
- 4.Operating temperature: -40°C~+105°C
- 6.Undimensioned Tolerances:

Pitch Range In mm		Nominal Dimension Range In mm							0.1/10
TO	Over	TO	Over	TO	Over	TO	Over		
6	10	10	24	30	60	100	150	<	
±0.15	±0.20	±0.30	±0.30	±0.50	±0.70	±1.00	±1.30	±2°	

7.RoHS Compliance



PCB LAYOUT

仅供参考图  
 签字: [Signature]  
 日期: 4/13/16

5	HOUSING	PA66	UL94V-0
4	SPRING	STAINLESS STEEL	
3	HEADER	Copper	Sn-PLATED
2	COVER	PA66	UL94V-0
1	HOUSING	PA66	UL94V-0
ITEM	NAME OF PART	MATERIAL	NOTES

PART NO.: /		宁波高松电子有限公司	
APPD: Aaron 4/13/16		DEGSON <sup>®</sup> NINGBO DEGSON ELECTRICAL CO., LTD	
CHKD: Penny 4/13/16		NAME: DG262-7.5-XXP-1Y-00A(H)	
DRFT: WWF 04/03/15		TITLE: CUSTOMER DRAWING	
THIRD ANGLE PROJECTION		REV	TO
DRAWING NO.: DG262-7.5-C01		SHEET	1/1
MM (INCH)		SCALE	1:1

DETACHED LISTS