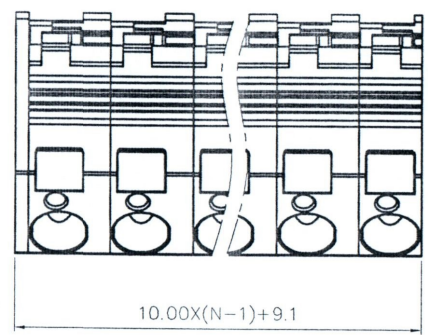
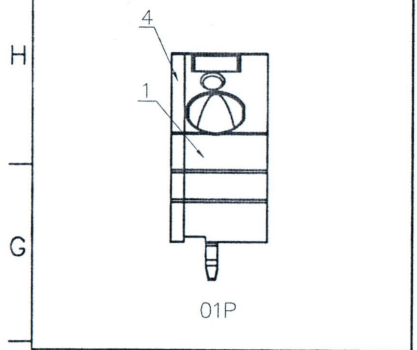


REVISION RECORD

REV	ECN	DESCRIPTION	DRFT	DATE



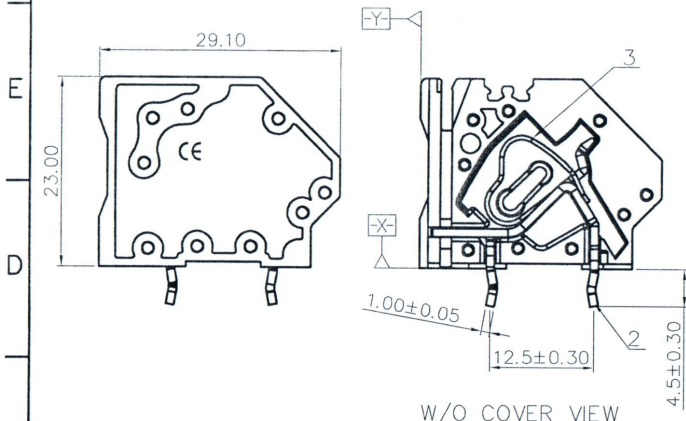
NOTES1:
 UL Standard
 1. Rated Voltage/Current : 300V / 30A
 2. Withstanding Voltage : AC1600V/1Min.
 3. Wire Range : 24~10AWG

IEC Standard

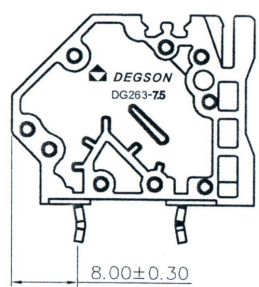
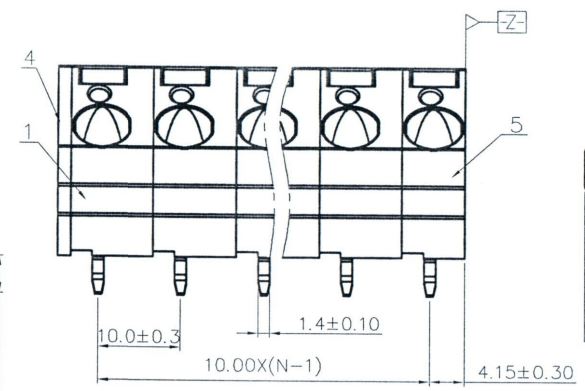
Pollution Degree	2	2	3
Overvoltage Category	II	III	III
Rate Impulse Voltage(KV)	8.0KV	8.0KV	8.0KV
Rate Voltage(V)	1000V	1000V	630V
Rate Current(A)	41A		

NOTES2:
 1. Dimension shall be interpreted per ASME Y14.5-2009
 2. Pitch : 10.0mm, Poles : N=XXP
 3. Stripping length : 11~12mm
 4. Operating temperature: -40°C~+105°C
 5. Undimensioned Tolerances:

Pitch Range In mm	Nominal Dimension Range In mm				0.1/10
	Over 6 TO 10	Over 10 TO 24	Over 30 TO 60	Over 60 TO 150	
±0.15	±0.20	±0.30	±0.30	±0.50	±1.00
±0.30	±0.40	±0.50	±0.70	±1.00	±1.30
±0.50	±0.60	±0.80	±1.00	±1.30	±2*

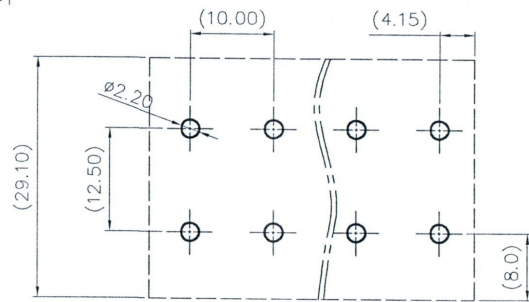


W/O COVER VIEW



6. RoHS Compliance

仅供参考图
 签字: [Signature]
 日期: 12/18/15



PCB LAYOUT

ITEM	NAME OF PART	MATERIAL	NOTES
5	Housing	PA66	UL94 V-0
4	Cover	PA66	UL94 V-0
3	Spring	Stainless steel	
2	Pin Header	Copper Alloy	Sn Plated
1	Housing	PA66	UL94 V-0

PART NO.: /

APPD: *Raron 12/18-15*

CHKD: *Perry 12/18-15*

DRFT: *WWF 08/13/15*

THIRD ANGLE PROJECTION

NAME: **DEGSON** 宁波高松电子有限公司 NINGBO DEGSON ELECTRICAL CO., LTD

TITLE: CUSTOMER DRAWING

DRAWNG NO.: DG263-10.0-C01

MM (INCH) DO NOT SCALE DRAWING

REV D0-1

SHEET 1/1

SCALE 1:1