

REVISION RECORD				
REV	ECN	DESCRIPTION	DRFT	DATE

NOTES1:

UL1059 Standard

1. Rated Voltage/Current : 300V / 65A
2. Withstanding Voltage : AC1600V/1Min.
3. Wire Range : 24~6AWG

IEC Standard

1. Pollution Degree	2	2	3
Overvoltage Category	II	III	III
Rate Impulse Voltage(kV)	8.0KV	8.0KV	8.0KV
Rate Voltage(V)	1000V	1000V	630V
Rate Current(A)	76A		

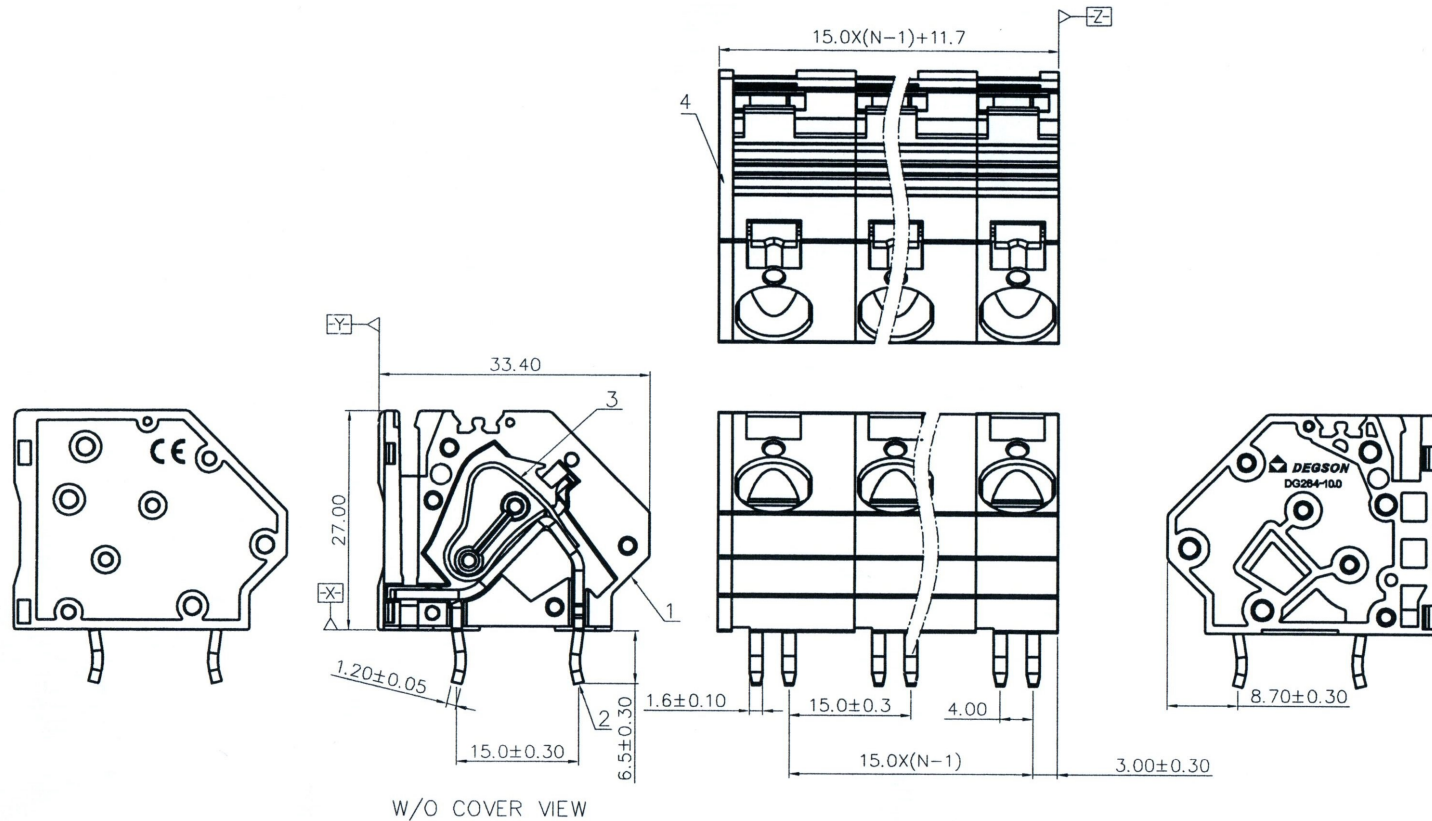
2. Wire Range : 0.2~16mm²

NOTES2:

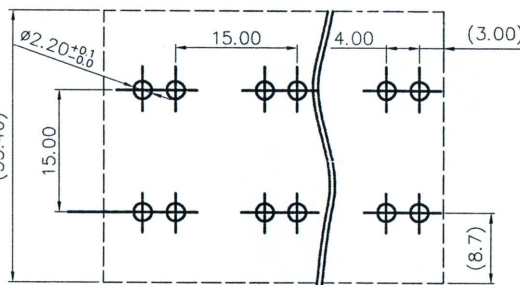
1. Dimension shall be interpreted per ASME Y14.5-2009
2. Pitch : 15.0mm, Poles : N=01~12P
3. Stripping length : 12-13mm
4. Operating temperature : -40°C~+105°C
5. Undimensioned Tolerances:

Pitch Range In mm	Nominal Dimension Range In mm						- / Δ / D	
	Over 6 TO 10	Over 10 TO 24	Over 30 TO 60	Over 60 TO 100	Over 100 TO 150	Over 150		
±0.15	±0.20	±0.30	±0.30	±0.50	±0.70	±1.00	±1.30	±2*

6. RoHS Compliance



W/O COVER VIEW



PCB LAYOUT

仅供参考图
 签字: 蓝贵九
 日期: 2015.12.10

5	Housing	PA66	UL94 V-0
4	Cover	PA66	UL94 V-0
3	Spring	Stainless steel	
2	Pin Header	Copper Alloy	Sn Plated
1	Housing	PA66	UL94 V-0
ITEM	NAME OF PART	MATERIAL	NOTES

DETACHED LISTS	PART NO.: /	宁波高松电子有限公司 NINGBO DEGSON ELECTRICAL CO., LTD		
	APPD: Alon 12/10/15	NAME: DG264-15.0-XXP-1Y-00A(H)		
	CHKD: Penny 12/10/15	TITLE: CUSTOMER DRAWING		
	DRFT: WWF 07/07/15	REV	D0-1	
		DRAWING NO.: DG264-15.0-C01	SHEET	1/1
	THIRD ANGLE PROJECTION	MM (INCH)	DO NOT SCALE DRAWING	SCALE 1:1