

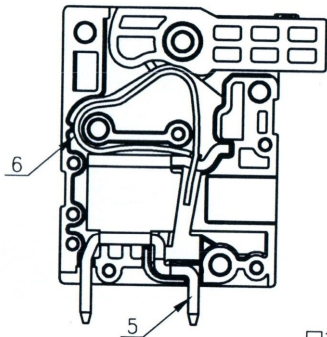
仅供参考图

签字:

日期:

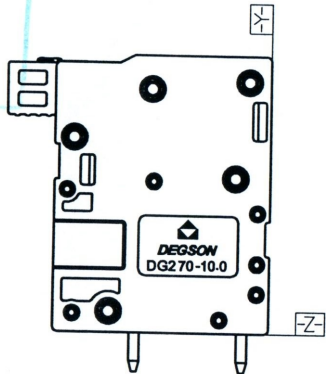
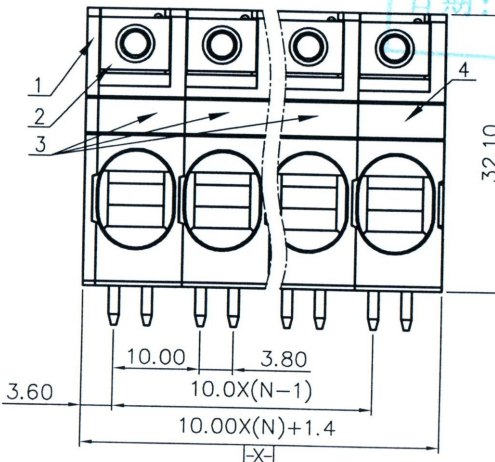
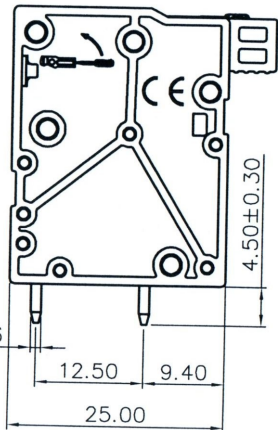
[Handwritten Signature]
7/14/15

REVISION RECORD				
REV	ECN	DESCRIPTION	DRFT	DATE



W/O COVER VIEW

□1.20±0.06

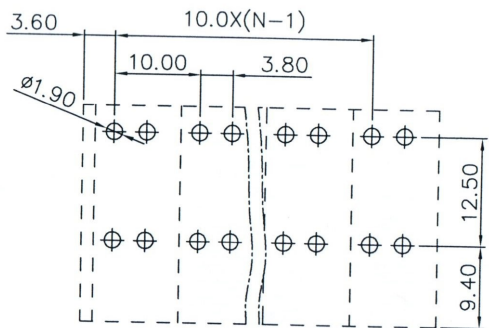


- NOTES:
 1.DIMENSION SHALL BE INTERPRETED PER ASME Y14.5-2009.
 2.PITCH: 10.0 ,POLES:N=02-XXP
 3.UL1059: 150V/51A
 4.IEC:

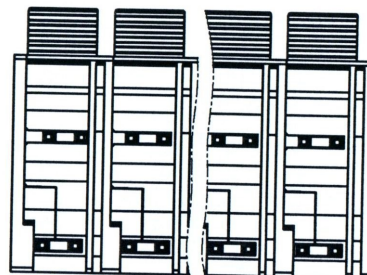
POLLUTION DEGREE	3	2	2
OVERVOLTAGE CATEGORY	III	III	II
RATED IMPULSE VOLTAGE(KV)	4.0KV	4.0KV	4.0KV
RATED VOLTAGE(V)	400V	400V	800V
RATED CURRENT(A)	76A	76A	76A

- 5.LOWER LIMIT TEMPERATURE: -40℃
 6.UPPER LIMIT TEMPERATURE: +105℃
 7.WIRE RANGE: 18AWG~6AWG,0.75MM²~16MM²
 8.UNDIMENSIONED TOLERANCES:

PITCH RANGE IN MM		NOMINAL DIMENSION RANGE IN MM				
TO	OVER	TO	OVER	TO	OVER	TO
6	10	30	60	100	150	150
10	24	60	100	150	150	150
±0.10	±0.15	±0.25	±0.20	±0.30	±0.50	±0.70
						±1.00
						0.05/10



P.C.B LAYOUT



ITEM	NAME OF PART	NO. OF PART	Q"TY	MATERIAL	NOTES
6	DG270-10.0-SPRING	X000006200	XX	STELL	
5	DG270-10.0-DOUBLE TERMINAL	3099B00010	XX	COPPER	SN PLATED
4	DG270-10.0-END HOUSING	3099AYY01C(H)	1	PA66	UL94V-0
3	DG270-10.0-CENTER HOUSING	3099AYY01A(H)	XX-1	PA66	UL94V-0
2	DG270-10.0-BUTTON	3099DYY01A(H)	XX	PA66	UL94V-0
1	DG270-10.0-COVER	3099CYY01A(H)	1	PA66	UL94V-0

DETACHED LISTS	MM (INCH)	MATERIAL:	宁波高正电子有限公司			
	TOLERANCES EXCEPT AS NOTED	FINISH:	DEGSON® DEGSON ELECTRONICS CO., LTD			
	.X ± .XX ± .XXX ±	.X* ± .XX* ± .XXX* ±	PART NO.:	NAME: DG270-10.0-XXP-1Y-00A(H)		
	ANGLES ± 1°	APPD: <i>Assoon 7/14/15</i>	TITLE: ASSEMBLY DRAWING	REV	TO-1	
THIRD ANGLE PROJECTION	CHKD: <i>Lin 7/14/15</i>	DRAWING NO.: DG270-10.0-E01				
	DRFT: HHJ 05/22/15"	DO NOT SCALE DRAWING	SCALE	N/A	SHEET 1/1	