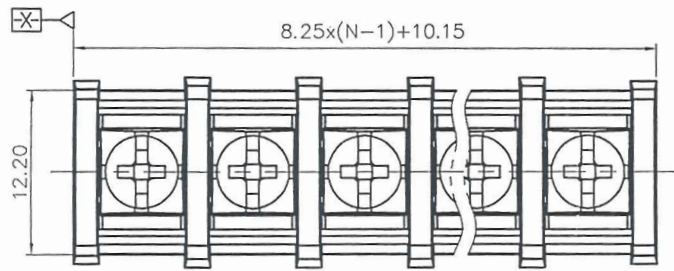


REVISION RECORD				
REV	ECN	DESCRIPTION	DRFT	DATE

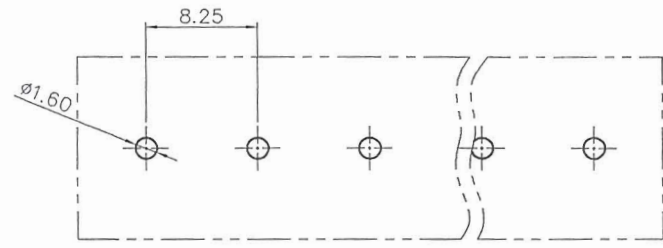
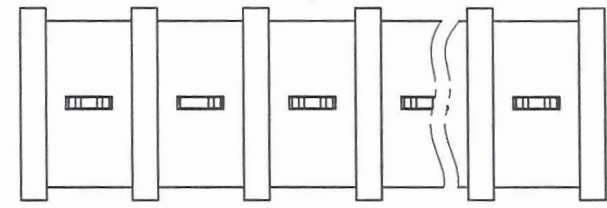
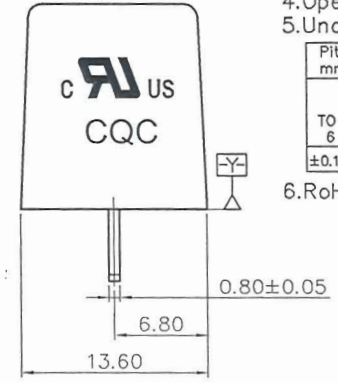
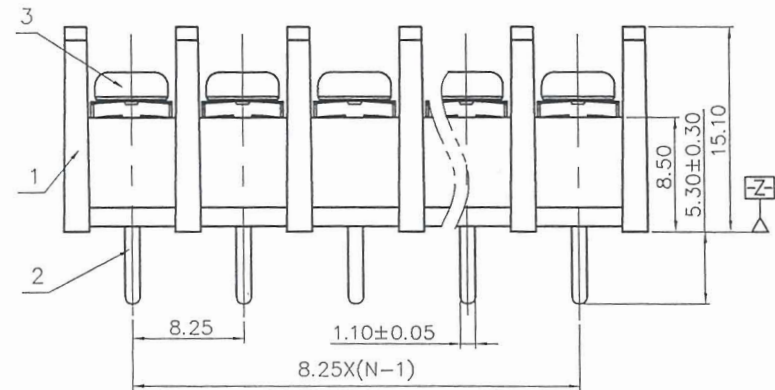


NOTES1:  
 1. Rated Voltage/Current : 300V / 20A  
 2. Torque Value : M3.0 , 4.43 Lb.in  
 3. Wire Range : 22~12AWG

NOTES2:  
 1. Dimension shall be interpreted per ASME Y14.5-2009  
 2. Pitch : 8.25mm, Poles : N=02~24P  
 3. Withstanding Voltage : AC1600V/1Min.  
 4. Operating temperature: -40°C~+105°C  
 5. Undimensioned Tolerances:

Pitch Range In mm		Nominal Dimension Range In mm						0.1/10
TO	Over	TO	Over	TO	Over	TO	Over	
6	10	6	10	30	60	100	150	±2'
±0.15	±0.20	±0.30	±0.30	±0.50	±0.70	±1.00	±1.30	±2'

6. RoHS Compliance



P.C.B LAYOUT

文管中心  
 研发专用  
 2015.10.28  
 (仅限内部使用, 对外无效)

ITEM	NAME OF PART	MATERIAL	NOTES
3	SCREW	STEEL	M3/Ni Plated
2	PIN HEADER	COPPER ALLOY	Sn Plated
1	HOUSING	PA66	UL94V-0

DETACHED LISTS	PART NO.: /	宁波高松电子有限公司 NINGBO DEGSON ELECTRICAL CO., LTD		
	APPD: <i>Aaron 10/23/15</i>	NAME: DG35C-B-XXP-1Y-200A(H)		
	CHKD: <i>Dicky 2015.10.23</i>	TITLE: CUSTOMER DRAWING		
	DRFT: NICK 09/28/15	DRAWING NO.: DG35C-C35	REV: TO-1	SHEET: 1/1
THIRD ANGLE PROJECTION		MM (INCH)	DO NOT SCALE DRAWING	SCALE: 1:1