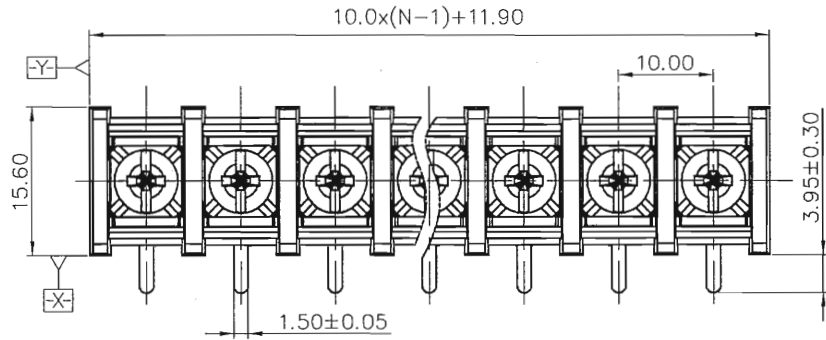


REVISION RECORD				
REV	ECN	DESCRIPTION	DRFT	DATE



NOTES1:
 UL Standard
 1. Rated Voltage/Current : 300V / 20A
 2. Torque Value : M4 , 10.53Lb.in
 3. Wire Range : 22~12AWG

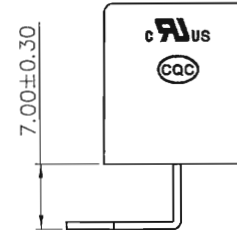
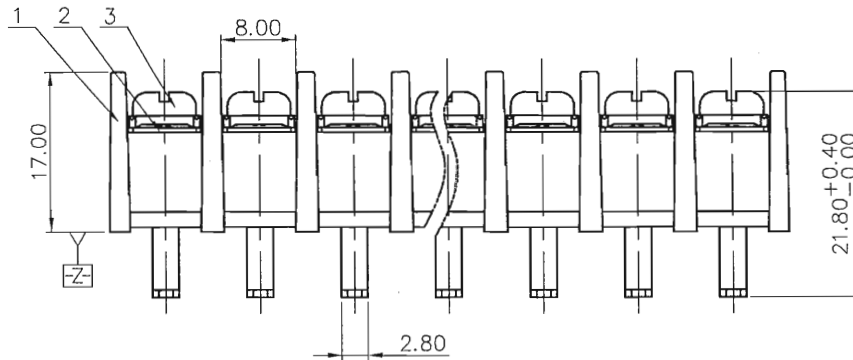
NOTES2:
 1. Dimension shall be interpreted per ASME Y14.5-2009
 2. Pitch : 10.0mm, Poles : N=02~26P
 3. Withstanding Voltage : AC1600V/1Min.
 4. Operating temperature: -40°C~+105°C
 5. Undimensioned Tolerances:

Pitch Range In mm	Nominal Dimension Range				- / □ / ▽
	Over 6 TO 10	Over 10 TO 24	Over 30 TO 60	Over 60 TO 150	
TO 6	±0.15	±0.25	±0.30	±0.50	±1.00
TO 10	±0.25	±0.30	±0.50	±0.70	±1.30
TO 24	±0.30	±0.50	±0.70	±1.00	±2.00
TO 60	±0.50	±0.70	±1.00	±1.30	±2.00
TO 150	±0.70	±1.00	±1.30	±2.00	±2.00

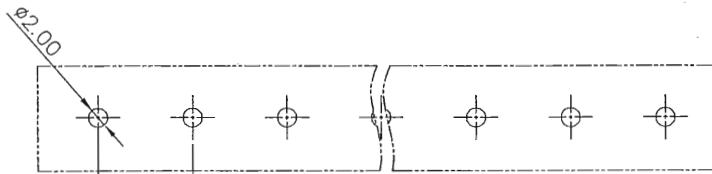
6. RoHS Compliance



0.80±0.05



7.00±0.30



P.C.B LAYOUT

3	M4*8 BRIGHT SCREW	STEEL	NI PLATED
2	DG55R-B-50A PIN HEADER	BRASS	SN PLATED
1	DG55R-B-50A HOUSING	PA66	UL94V-0
ITEM	NAME OF PART	MATERIAL	NOTES

PART NO.: /		宁波高松电子有限公司	
APPD: <i>Aaron 7/27-15</i>		NAME: DEGSON ® NINGBO DEGSON ELECTRICAL CO., LTD	
CHKD: <i>liuzhihong 2015.7.27</i>		DG55R-B-XXP-1Y-50A(H)	
DRFT: Yujin 07/24/15"		TITLE: CUSTOMER DRAWING	REV TO
THIRD ANGLE PROJECTION		DRAWING NO.: DG55R-B-C12	SHEET 1/1
MM (INCH)		DO NOT SCALE DRAWING	SCALE 1:1