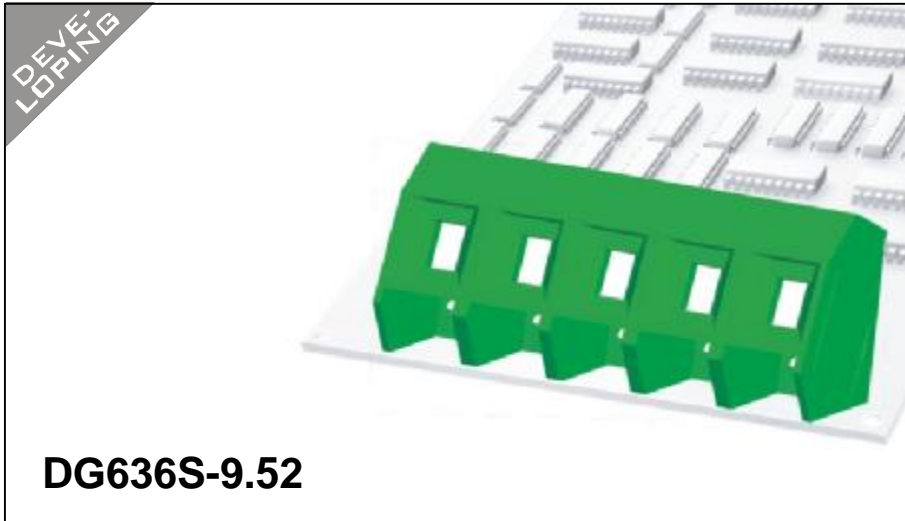


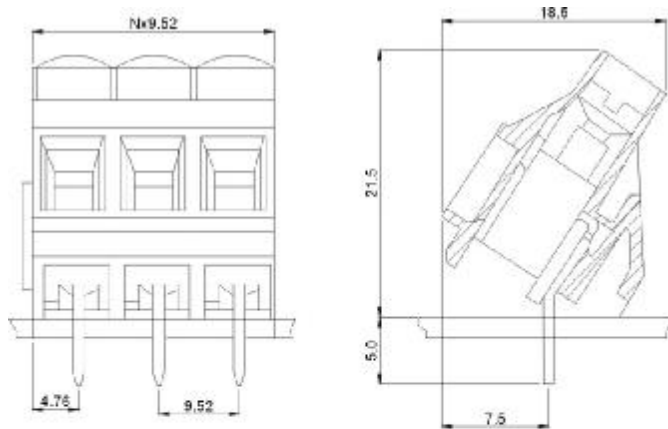


DEGSON ELECTRONICS CO., LTD.

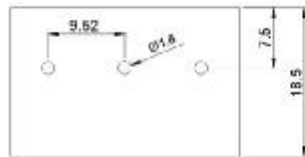
Product Specification



DG636S-9.52



PCB LAYOUT



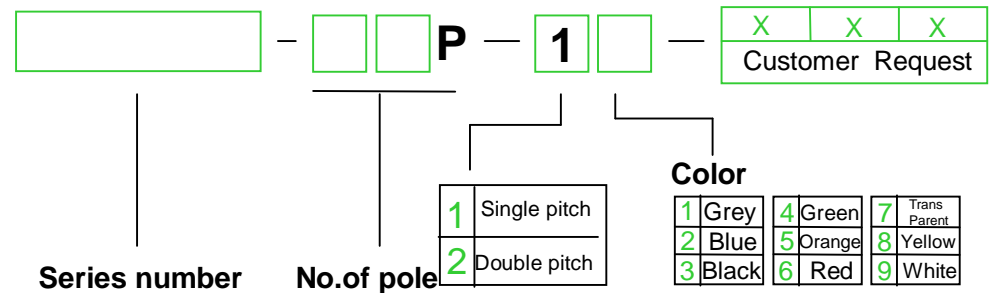
PCB LAYOUT

APPROVAL		
Electrical		
Standard	UL	IEC
Rated voltage	300V	750V
Rated current	30A	32A
Wire range	26-10AWG	4.0mm ²
Withstanding voltage	AC3000V/1Min	

Mechanical		
Torque	0.5Nm(4.4Lb-In)	
Ambient temperature	-40°C~+105°C	
Strip length	8mm	
Dimensions		
pitch	9.52mm(.375")	
Poles	2P,3P-24P	

Material		
Housing	PA66,UL94V-0	
Screws	M3,Steel, Cr ³⁺ Znplated	
Pin header	Copper,Tin-plated	
Cage	Brass,Ni-plated	

HOW TO ORDER :



	DEGSON ELECTRONICS CO., LTD.
	NAME DG636S-9.52