

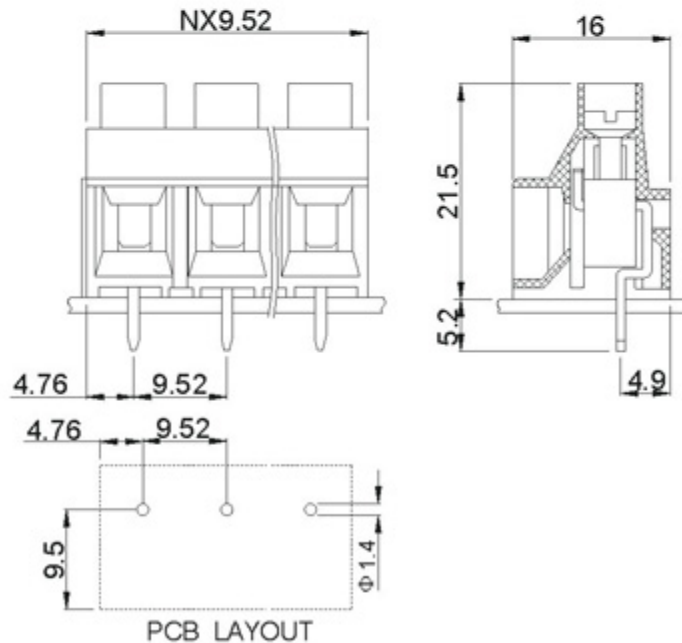


DEGSON ELECTRONICS CO., LTD.

Product Specification



DG638-9.52



Approval		
Electrical		
Standard	UL	IEC
Rated voltage	300V	1000V
Rated current	30A	32A
Wire range	30-10AWG	4.0mm ²
With standing voltage	AC3500V/1Min	

Mechanical	
Torque	0.5Nm(4.4Lb-In.)
Ambient temperature	-40°C~+105°C
Strip length	8mm
Dimensions	
Pitch	9.52mm(.375")
Poles	2P,3P-24P

Material	
Housing	PA66, UL94V-0
Screws	M3, steel, Cr ³⁺ Zn plated
Pin header	Brass, Tin plated
Cage	Brass, Ni plated

HOW TO ORDER

DG638-9.52 - P - -

Series Number Number of Pole Color Customer Request

1	Single pitch	1	Grey	4	Green	7	Transparent
2	Double pitch	2	Blue	5	Orange	8	Yellow
		3	Black	6	Red	9	White

		DEGSON ELECTRONICS CO., LTD.
	NAME	DG638-9.52