

REVISION RECORD				
REV	ECN	DESCRIPTION	DRFT	DATE

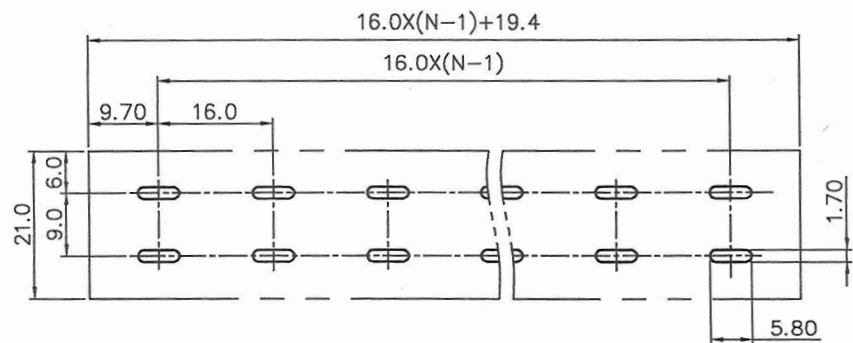
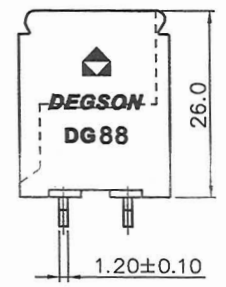
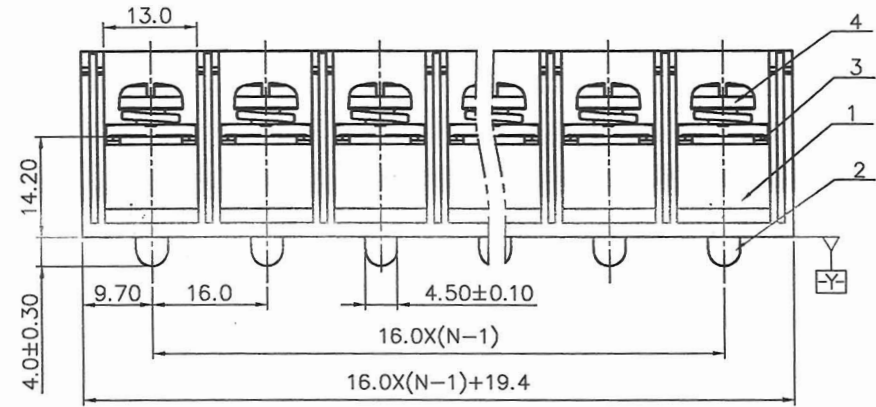
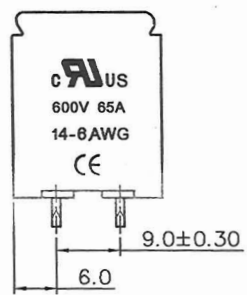
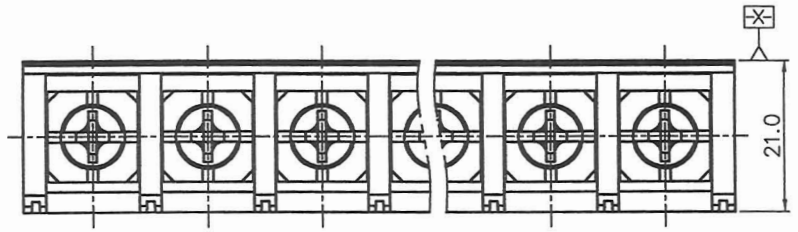
- NOTES1:  
 UL Standard  
 1. Rated Voltage/Current : 600V / 65A  
 2. Torque Value : M5 , 22Lb.in  
 3. Wire Range : 14~6AWG

- NOTES2:  
 1. Dimension shall be interpreted per ASME Y14.5-2009  
 2. Pitch : 16.0mm, Poles : N=02-06P  
 3. Withstanding Voltage : AC2200V/1Min.  
 4. Operating temperature: -40°C~+105°C  
 5. Undimensioned Tolerances:

Pitch Range In mm		Nominal Dimension Range In mm						0.1/10
TO	Over	TO	Over	TO	Over	TO	Over	±2'
6	10	10	24	30	60	100	150	
±0.15	±0.20	±0.30	±0.30	±0.50	±0.70	±1.00	±1.30	

6. RoHS Compliance

奇策电子  
 2016.08.26  
 (仅限内部使用, 对外无效)



ITEM	NAME OF PART	MATERIAL	NOTES
4	SCREW	STEEL	M5/Ni Plated
3	FASTEN PART	STEEL	Ni Plated
2	PIN HEADER	COPPER ALLOY	Sn Plated
1	HOUSING	PA66	UL94V-0

PART NO.:		宁波高松电子有限公司 NINGBO DEGSON ELECTRICAL CO., LTD	
APPD: Alan 08/20/16		NAME: DG88-XXP-1Y-10A(H)	
CHKD: Nick 08/20/16		TITLE: CUSTOMER DRAWING	
DRFT: Nick 11/30/15		DRAWING NO.: DG88-C04	REV TO
THIRD ANGLE PROJECTION		DO NOT SCALE DRAWING	SHEET 1/1
		SCALE 1:1	