

## General

In the following chapter plastic rivets are presented.

## Specification

- Rivet:** To install, simply press the head of the double rivets. The rivet expands, ensuring a safe and secure installation.
- Flat plastic rivets: :** Easily installed by hand. The pin is driven into the rivet which causes the rivet to spread thus ensuring a secure attachment.
- Plastic rivets:** Installation with a standard rivet tool.
- Mounting Knob:** For fixing thin materials or for the easier assembling of components. Economical and easy to install.

Material	Flammability Rating	RoHS Compliance	Dremec Material-Spezifikation
Nylon 6/6	V2	Yes	801
Nylon 6	V2	Yes	811
Nylon 66/6	V0	Yes	813
POM (Acetal)	HB	Yes	804

For more details on material properties please consult the data section (DMS) of the catalogue.

## Colour

Standard colours include black, white and natural. Other colours upon request.

# Rivets



Page 68



Page 69



Page 70



Page 71



Page 72



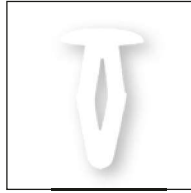
Page 73



Page 74



Page 75



Page 75



Page 75



Page 76

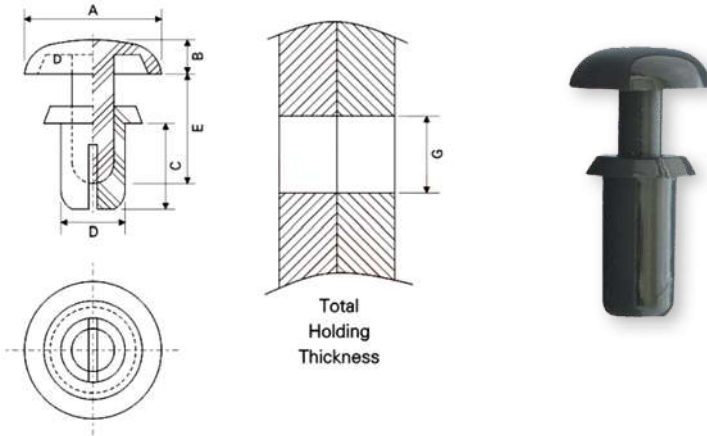


Page 76



Page 77

# Rivets



**Type** round head type I  
**Material** Nylon 6/6 V2 / DMS 801  
**Colour** black / white  
**Unit** mm  
**Standard Pack** 1.000 pcs

Alternative as V0 (Nylon 6/6 DMS 813) and different colours (from 20.000 pcs) available. Please request separately.

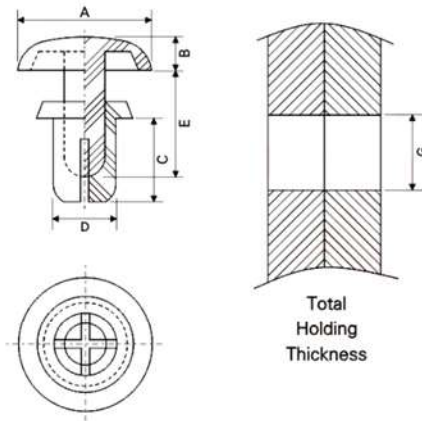
Insert force		≤ 2.5 kgf		Extraction force				≥ 3.0 kgf
Order No.	Colour	Hole-∅	Panel Thickness	"A"	"B"	"C"	"D"	"E"
8G4012.0x1.2	B W	2.1	0.6 ~ 1.2	4.2	1.2	2.4	2.0	2.8
8G4012.0x2.0	B W		1.3 ~ 2.0			3.2		3.8
8G4012.0x2.8	B W		2.1 ~ 2.8			4.0		5.5
8G4012.0x3.6	B W		2.9 ~ 3.6			4.8		
8G4012.0x4.4	B W		3.7 ~ 4.4			5.6		7.2
8G4012.0x5.2	B W		4.5 ~ 5.2			6.4		

Insert force		≤ 3.0 kgf		Extraction force				≥ 5.0 kgf
Order No.	Colour	Hole-∅	Panel Thickness	"A"	"B"	"C"	"D"	"E"
8G4012.6x2.0	B W	2.7	1.0 ~ 2.0	5.0	1.4	3.2	2.6	4.6
8G4012.6x3.0	B W		2.1 ~ 3.0			4.2		
8G4012.6x3.6	B W		2.7 ~ 3.6			4.8		6.2
8G4012.6x4.3	B W		3.4 ~ 4.3			5.5		
8G4012.6x5.2	B W		4.3 ~ 5.2			6.4		7.8
8G4012.6x6.0	B W		5.1 ~ 6.0			7.2		

Insert force		≤ 3.0 kgf		Extraction force				≥ 8.0 kgf
Order No.	Colour	Hole-∅	Panel Thickness	"A"	"B"	"C"	"D"	"E"
8G4013.0x2.0	B W	3.1	1.0 ~ 2.0	6.4	1.6	3.5	3.0	5.1
8G4013.0x3.0	B W		2.0 ~ 3.0			4.5		6.1
8G4013.0x4.0	B W		3.0 ~ 4.0			5.5		
8G4013.0x5.0	B W		4.0 ~ 5.0			6.5		7.1
8G4013.0x6.0	B W		5.0 ~ 6.0			7.5		
8G4013.0x6.5	B W		5.5 ~ 6.5			8.0		9.0
8G4013.0x7.5	B W		6.5 ~ 7.5			9.0		
8G4013.0x8.5	B W		7.5 ~ 8.5			10.0		11.0
8G4013.0x13.0	B W		11.5 ~ 13.0			14.5		
8G4013.0x21.5	B W		20.5 ~ 21.5			23.0		15.5

**Ordering example:** 8G4012.0x1.2B for black  
8G4012.0x1.2W for white

# Rivets



**Type** round haed type II  
**Material** Nylon 6/6 V2 / DMS 801  
**Colour** black / white  
**Unit** mm  
**Standard Pack** 1.000 pcs

Alternative as V0 (Nylon 66/6 DMS 813) and different colours (from 20.000 pcs) available. Please request separately.



Insert force		≤ 4.0 kgf			Extraction force				≥ 12.0 kgf
Order No.	Colour	Hole-∅	Panel Thickness	"A"	"B"	"C"	"D"	"E"	
8G4023.5x2.1	B W	3.6 ~ 3.7	1.1 ~ 2.1	6.4	1.6	3.5	3.5	5.1	
8G4023.5x3.1	B W		2.2 ~ 3.1			4.5		6.1	
8G4023.5x3.6	B W		2.7 ~ 3.6			5.0		7.1	
8G4023.5x4.1	B W		3.2 ~ 4.1			5.5			
8G4023.5x4.6	B W		3.7 ~ 4.6			6.0			
8G4023.5x5.6	B W		4.7 ~ 5.6			7.0		9.0	
8G4023.5x6.6	B W		5.7 ~ 6.6			8.0			

Insert force		≤ 4.0 kgf			Extraction force				≥ 20.0 kgf
Order No.	Colour	Hole-∅	Panel Thickness	"A"	"B"	"C"	"D"	"E"	
8G4024.0x3.5	B W	4.1 ~ 4.2	2.5 ~ 3.5	8.0	1.8	5.0	4.0	7.1	
8G4024.0x4.5	B W		3.5 ~ 4.5			6.0		9.0	
8G4024.0x5.5	B W		4.5 ~ 5.5			7.0			
8G4024.0x6.5	B W		5.5 ~ 6.5			8.0		11.0	
8G4024.0x7.5	B W		6.5 ~ 7.5			9.0			
8G4024.0x8.5	B W		7.5 ~ 8.5			10.0			
8G4024.0x10.5	B W		9.0 ~ 10.5			12.0		14.0	
8G4024.0x14.0	B W		12.5 ~ 14.0			15.0			

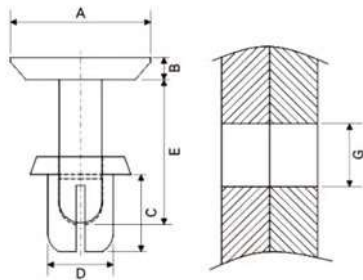
Insert force		≤ 5.0 kgf			Extraction force				≥ 25.0 kgf
Order No.	Colour	Hole-∅	Panel Thickness	"A"	"B"	"C"	"D"	"E"	
8G4025.0x2.5	B W	5.1 ~ 5.2	1.5 ~ 2.5	9.0	2.2	4.5	5.0	6.5	
8G4025.0x3.5	B W		2.5 ~ 3.5			5.5		8.5	
8G4025.0x4.5	B W		3.5 ~ 4.5			6.5			
8G4025.0x5.5	B W		4.5 ~ 5.5			7.5		10.5	
8G4025.0x6.5	B W		5.5 ~ 6.5			8.5			
8G4025.0x7.5	B W		6.5 ~ 7.5			9.5			
8G4025.0x8.5	B W		7.5 ~ 8.5			10.5		12.0	

Insert force		≤ 6.0 kgf			Extraction force				≥ 25.0 kgf
Order No.	Colour	Hole-∅	Panel Thickness	"A"	"B"	"C"	"D"	"E"	
8G4025.8x4.0	B W	5.9 ~ 6.0	3.0 ~ 4.0	12.0	2.7	6.5	5.8	9.0	

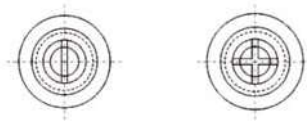
Insert force		≤ 6.0 kgf			Extraction force				≥ 30.0 kgf
Order No.	Colour	Hole-∅	Panel Thickness	"A"	"B"	"C"	"D"	"E"	
8G4026.0x4.0	B W	6.1 ~ 6.2	2.5 ~ 4.0	12.0	2.5	6.0	6.0	9.0	
8G4026.0x5.5	B W		4.0 ~ 5.5		3.0	8.0		10.0	

**Ordering example:** 8G4023.5x2.1B for black  
8G4023.5x2.1W for white

# Rivets



Bottom of the trench



Type 1

Type 2



**Type** flat haed  
**Material** Nylon 6/6 V2 / DMS 801  
**Colour** black / white  
**Unit** mm  
**Standard Pack** 1.000 pcs

Alternative in different colours (from 20.000 pcs) available. Please request separately.

Type 1	Insert force		≤ 3.0 kgf			Extraction force			≥ 8.0 kgf
Order No.	Colour	Hole-∅	Panel Thickness	"A"	"B"	"C"	"D"	"E"	
8G4032.6x7.0	B   W	2.7	6.0 ~ 7.0	6.4	0.7	8.5	2.6	10.0	

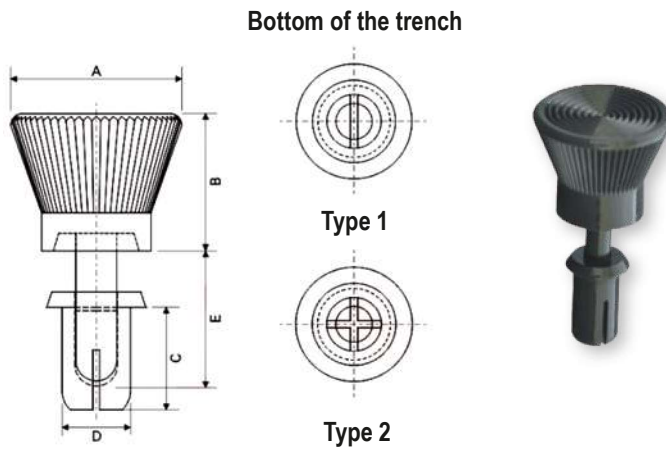
Type 1	Insert force		≤ 3.0 kgf			Extraction force			≥ 8.0 kgf
Order No.	Colour	Hole-∅	Panel Thickness	"A"	"B"	"C"	"D"	"E"	
8G4033.0x2.0	B   W	3.1	1.0 ~ 2.0	6.4	1.0	3.5	3.0	6.5	
8G4033.0x3.0	B   W		2.0 ~ 3.0			4.5			
8G4033.0x4.0	B   W		3.0 ~ 4.0			5.5			

Type 1	Insert force		≤ 3.0 kgf			Extraction force			≥ 8.0 kgf
Order No.	Colour	Hole-∅	Panel Thickness	"A"	"B"	"C"	"D"	"E"	
8G4033.0x5.0	B   W	3.1	4.0 ~ 5.0	6.0	1.0	6.5	3.0	10.0	
8G4033.0x6.0	B   W		5.0 ~ 6.0			7.5			
8G4033.0x6.5	B   W		5.5 ~ 6.5			8.0			
8G4033.0x7.5	B   W		6.5 ~ 7.5			9.0			
8G4033.0x8.5	B   W		7.5 ~ 8.5			10.0		12.0	

Type 2	Insert force		≤ 4.0 kgf			Extraction force			≥ 12.0 kgf
Order No.	Colour	Hole-∅	Panel Thickness	"A"	"B"	"C"	"D"	"E"	
8G4033.5x2.0	B   W	3.6	1.0 ~ 2.0	6.4	1.0	3.5	3.5	6.5	
8G4033.5x3.0	B   W		2.0 ~ 3.0			4.5			
8G4033.5x4.0	B   W		3.0 ~ 4.0	6.0		5.5		10.0	
8G4033.5x4.5	B   W		3.5 ~ 4.5			6.0			
8G4033.5x5.5	B   W		4.5 ~ 5.5			7.0			
8G4033.0x6.5	B   W		5.5 ~ 6.5			8.0			

**Ordering example:** 8G4033.0x2.0B for black  
 8G4033.0x2.0W for white

# Rivets



**Type** T  
**Material** Nylon 6/6 V2 / DMS 801  
**Colour** black / white  
**Unit** mm  
**Standard Pack** 1.000 pcs

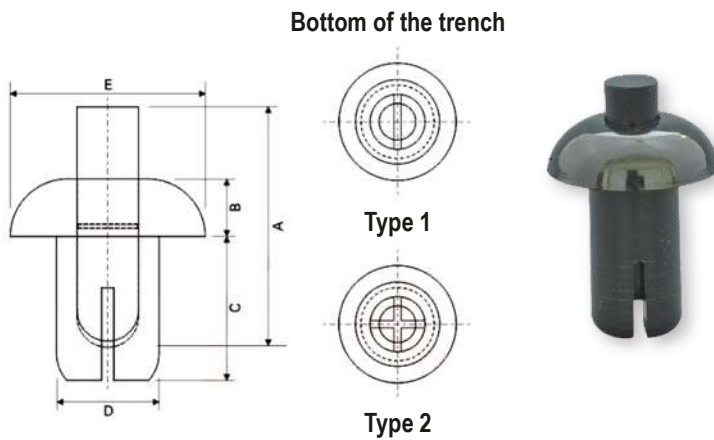
Alternative in different colours (from 20.000 pcs) available. Please request separately.

Type 1		Insert force		≤ 3.0 kgf		Extraction force			≥ 8.0 kgf
Order No.	Colour	Hole-∅	Panel Thickness	"A"	"B"	"C"	"D"	"E"	
8G4043.0x2.0	B W	3.1	1.0 ~ 2.0	10.0	8.0	3.5	3.0	6.6	
8G4043.0x3.0	B W		2.0 ~ 3.0			4.5			
8G4043.0x4.0	B W		3.0 ~ 4.0			5.5			
8G4043.0x5.0	B W		4.0 ~ 5.0			6.5			
8G4043.0x6.0	B W		5.0 ~ 6.0			7.5			
8G4033.0x6.5	B W		5.5 ~ 6.5			8.0			9.0

Type 2		Insert force		≤ 4.0 kgf		Extraction force			≥ 12.0 kgf
Order No.	Colour	Hole-∅	Panel Thickness	"A"	"B"	"C"	"D"	"E"	
8G4043.5x2.0	B W	3.6	1.0 ~ 2.0	10.0	8.0	3.5	3.5	6.6	
8G4043.5x3.0	B W		2.0 ~ 3.0			4.5			
8G4043.5x4.0	B W		3.0 ~ 4.0			5.5			
8G4043.5x4.5	B W		3.5 ~ 4.5			6.0			
8G4043.5x5.5	B W		4.5 ~ 5.5			7.0			
8G4043.5x6.5	B W		5.5 ~ 6.5			8.0			9.0

Type 2		Insert force		≤ 4.0 kgf		Extraction force			≥ 20.0 kgf
Order No.	Colour	Hole-∅	Panel Thickness	"A"	"B"	"C"	"D"	"E"	
8G4044.0x3.5	B W	4.1	2.5 ~ 3.5	12.0	8.0	5.0	4.0	7.6	
8G4044.0x4.5	B W		3.5 ~ 4.5			6.0			
8G4044.0x5.5	B W		4.5 ~ 5.5			7.0			
8G4044.0x6.5	B W		5.5 ~ 6.5			8.0			
8G4044.0x7.5	B W		6.5 ~ 7.5			9.0			
8G4044.0x8.5	B W		7.5 ~ 8.5			10.0			11.2

**Ordering example:** 8G4043.0x2.0B for black  
 8G4043.0x2.0W for white



**Type** push rivet  
**Material** Nylon 6/6 V2 / DMS 801  
**Colour** black / white  
**Unit** mm  
**Standard Pack** 1.000 pcs

Alternative in different colours (from 20.000 pcs) available. Please request separately.

Type 1		Insert force			Extraction force				
		≤ 3.0 kgf			≥ 8.0 kgf				
Order No.	Colour	Hole-∅	Panel Thickness	"A"	"B"	"C"	"D"	"E"	
8G4053.0x3.0	B   W	3.1	2.0 ~ 3.0	8.9	2.0	4.5	3.0	5.8	
8G4053.0x4.0	B   W		3.0 ~ 4.0			5.6			

Type 2		Insert force			Extraction force				
		≤ 4.0 kgf			≥ 20.0 kgf				
Order No.	Colour	Hole-∅	Panel Thickness	"A"	"B"	"C"	"D"	"E"	
8G4054.0x3.5	B   W	4.1	2.5 ~ 3.5	9.2	2.2	5.0	4.0	8.0	
8G4054.0x4.5	B   W		3.5 ~ 4.5			6.0			

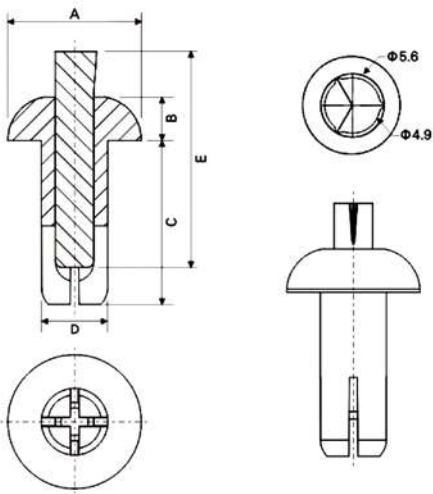
Order No.	Colour	Hole-∅	Panel Thickness	"A"	"B"	"C"	"D"	"E"	
8G4054.8x3.0	B   W	4.8	1.2 ~ 3.0	10.4	3.3	5.1	4.8	9.9	

Type 2		Insert force			Extraction force				
		≤ 5.0 kgf			≥ 25.0 kgf				
Order No.	Colour	Hole-∅	Panel Thickness	"A"	"B"	"C"	"D"	"E"	
8G4055.0x3.0	B   W	5.1	2.0 ~ 3.0	9.4	2.8	5.1	5.0	9.5	
8G4055.0x4.0	B   W		3.0 ~ 4.0			6.1			
8G4055.0x5.0	B   W		4.0 ~ 5.0	11.4		7.1			
8G4055.0x6.0	B   W		5.0 ~ 6.0	8.1					
8G4055.0x7.0	B   W		6.0 ~ 7.0	12.4		8.9			
8G4055.0x8.0	B   W		7.0 ~ 8.0	13.6		10.0			

Type 2		Insert force			Extraction force				
		≤ 6.0 kgf			≥ 30.0 kgf				
Order No.	Colour	Hole-∅	Panel Thickness	"A"	"B"	"C"	"D"	"E"	
8G4056.0x4.0	B   W	6.1	2.5 ~ 4.0	9.4	1.5	6.1	6.0	10.9	

**Ordering example:** 8G4053.0x3.0B for black  
 8G4053.0x3.0W for white

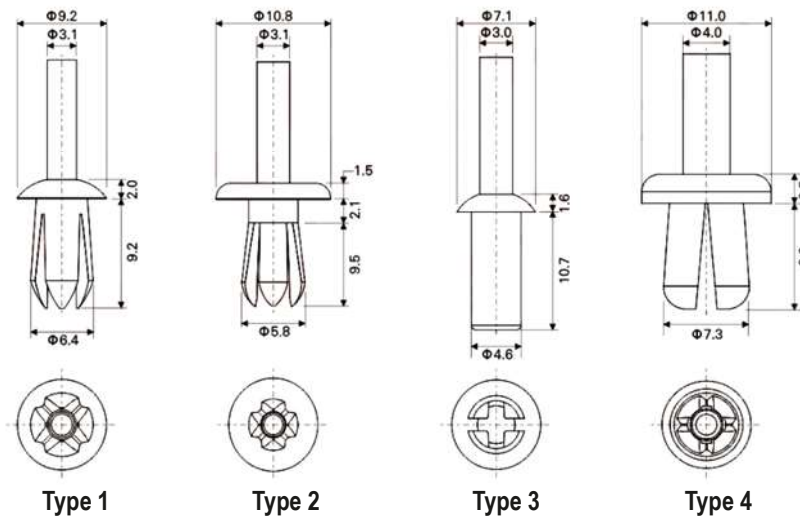
# Rivets



**Type** push rivet  
**Material** Nylon 6/6 V2 / DMS 801  
**Colour** black / white  
**Unit** mm  
**Standard Pack** 1.000 pcs

Order No.	Colour	"A"	"B"	"C"	"D"	"E"	
8G4058.4x15.5	B	W	16.4	5.0	15.5	8.4	21.0
8G4058.5x20.8	B	W	17.0		20.8	8.5	27.4
8G4058.5x15.5	B	W		15.5			

**Ordering example:** 8G4058.4x15.5B for black  
 8G4058.4x15.5W for white



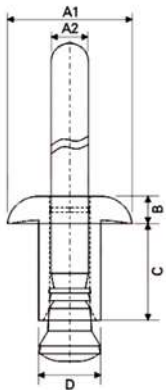
**Type** push rivet  
**Material** Nylon 6/6 V2 / DMS 801  
**Colour** black / white  
**Unit** mm  
**Standard Pack** 1.000 pcs



Type	Order No.	Colour
Type 1	8G406V20679	B W
Type 2	8G406V20685	B W
Type 3	8G406V20819	B W
Type 4	8G406V20678	B W

**Ordering example:** 8G406V20679B for black  
 8G406V20679W for white





**Type** clinch rivet  
**Material** Nylon 6 V2 / DMS 811  
**Colour** black / white / grey / tan  
**Unit** mm  
**Standard Pack** 500 pcs  
 1.000 pcs

Alternative in different colours available. Please request separately.

Tensile Strength Type: 12 kgf

Shear Strength Type: 12 kgf

Order No.	Colour				Hole- $\emptyset$	Panel Thickness	"A1"	"A2"	"B"	"C"	"D"
	black	white	grey	tan							
8G4073.2x3.5	-1	-2	-3	-4	3.3	1.0 ~ 3.5	6.4	2.1	1.4	6.4	3.2
8G4073.2x6.5	-1	-2	-3	-4		3.5 ~ 6.5				9.6	
8G4073.2x9.5	-1	-2	-3	-4		6.5 ~ 9.5				12.7	

Tensile Strength Type: 18 kgf

Shear Strength Type: 25 kgf

Order No.	Colour				Hole- $\emptyset$	Panel Thickness	"A1"	"A2"	"B"	"C"	"D"
	black	white	grey	tan							
8G4074.0x3.5	-1	-2	-3	-4	4.1	1.0 ~ 3.5	8.0	2.4	1.8	6.4	4.0
8G4074.0x6.5	-1	-2	-3	-4		3.5 ~ 6.5				9.6	
8G4074.0x9.5	-1	-2	-3	-4		6.5 ~ 9.5				12.7	

Tensile Strength Type: 28 kgf

Shear Strength Type: 40 kgf

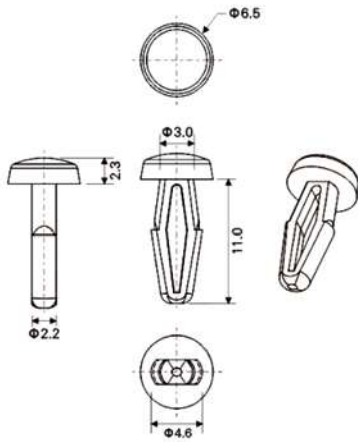
Order No.	Colour				Hole- $\emptyset$	Panel Thickness	"A1"	"A2"	"B"	"C"	"D"
	black	white	grey	tan							
8G4074.8x4.5	-1	-2	-3	-4	4.9	1.5 ~ 4.5	9.6	2.8	2.0	8.0	4.8
8G4074.8x7.5	-1	-2	-3	-4		4.5 ~ 7.5				11.2	
8G4074.8x10.5	-1	-2	-3	-4		7.5 ~ 10.5				14.4	

Tensile Strength Type: 40 kgf

Shear Strength Type: 65 kgf

Order No.	Colour				Hole- $\emptyset$	Panel Thickness	"A1"	"A2"	"B"	"C"	"D"
	black	white	grey	tan							
8G4075.6x5.0	-1	-2	-3	-4	5.7	2.0 ~ 5.0	12.0	3.4	2.2	9.6	5.6
8G4075.6x8.0	-1	-2	-3	-4		5.0 ~ 8.0				12.7	
8G4075.6x11.5	-1	-2	-3	-4		8.0 ~ 11.5				15.9	

**Ordering example:** 8G4073.2x3.5-1 for black  
 8G4073.2x3.5-2 for white

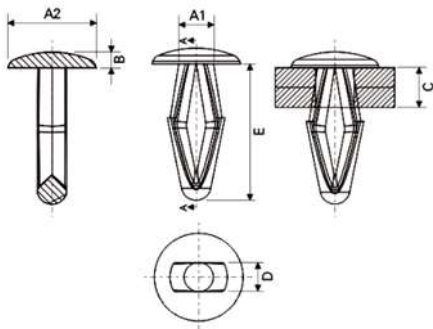


### Fastener button type I

**Material** POM / DMS 804  
**Colour** black / natural  
**Unit** mm  
**Standard Pack** 1.000 pcs

Order No.	Colour
8G414V20656	B   N

Ordering example: 8G414V20656B for black

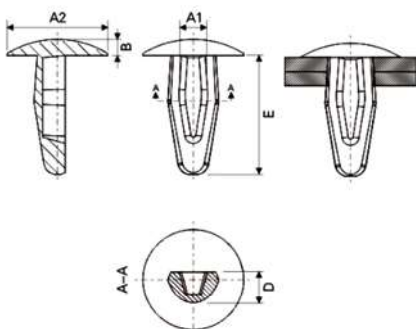


### Fastener button type II

**Material** POM / DMS 804  
**Colour** black / natural  
**Unit** mm  
**Standard Pack** 1.000 pcs

Order No.	Colour	A1	A2	B	C	D	E
8G4142.9x13.8	B   N	3.5	8.9	1.6	1-5	2.9	13.8
8G41413.8x18.0	B   N	4.5	12.0	2.0	6-9	3.8	18.0

Ordering example: 8G4142.9x13.8B for black  
 8G4142.9x13.8N for natural



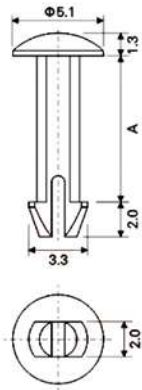
### Fastener button type III

**Material** Nylon 6 V2 / DMS 811  
**Colour** black / natural  
**Unit** mm  
**Standard Pack** 1.000 pcs

Order No.	Colour	Hole-Ø	Panel Thickness	A1	A2	B	D	E
8G4152.2x2.5	B   N	3.10 ~ 3.22	2.0 ~ 2.5	2.0	7.10	1.15	2.2	8.4
8G4152.0x4.0	B   N	3.22 ~ 3.58	2.9 ~ 4.0	2.4	10.30	1.70	2.0	11.1

Ordering example: 8G4152.2x2.5B for black  
 8G4152.2x2.5N for natural

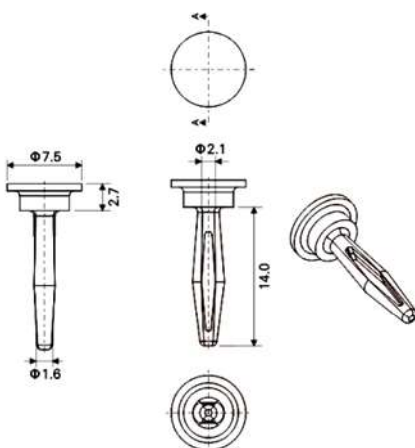
# Rivets



**Snap lock pin**  
**Material**  
**Colour**  
**Unit**  
**Standard Pack**

Nylon 6/6 V2 / DMS 801  
natural  
mm  
1.000 pcs

Order No.	Hole- $\phi$	A
8G4162.5x4.5	2.5	4.50
8G4162.5x5.6		5.60
8G4162.5x6.0		6.00
8G4162.5x6.2		6.22
8G4162.5x7.8		7.80
8G4162.5x8.0		8.02
8G4162.5x8.3		8.38
8G4162.5x10.5		10.50
8G4162.5x16.2		16.20
8G4162.5x16.7		16.76
8G4162.5x17.8		17.80

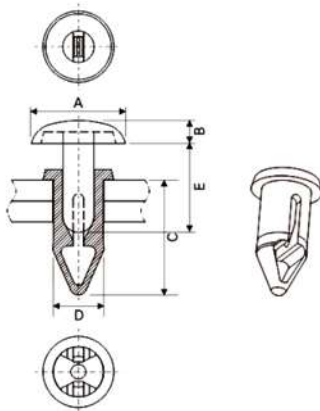


**Fastener button type IV**

**Material** POM / DMS 804  
**Colour** natural  
**Unit** mm  
**Standard Pack** 1.000 pcs

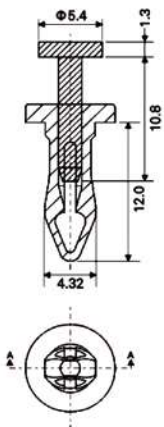
**Order No.**  
8G417V20664

# Rivets



**Type** snap rivet  
**Material** Nylon 6 V2 / DMS 811  
**Colour** black  
**Unit** mm  
**Standard Pack** 2.000 pcs

Order No.	"A"	"B"	"C"	"D"	"E"
8G4183.6x6.1	6.4	1.6	9.5	3.6	6.1
8G4184.2x7.1	8.0	1.8	10.0	4.2	7.1
8G4184.9x8.5	9.0	2.2	11.0	4.9	8.5



**Type** snap rivet  
**Material** Nylon 6 V2 / DMS 811  
**Hole-ø** 3.6  
**Panel Thickness** 1 ~ 3  
**Colour** black  
**Unit** mm  
**Standard Pack** 2.000 pcs

Order No.

8G419V20677