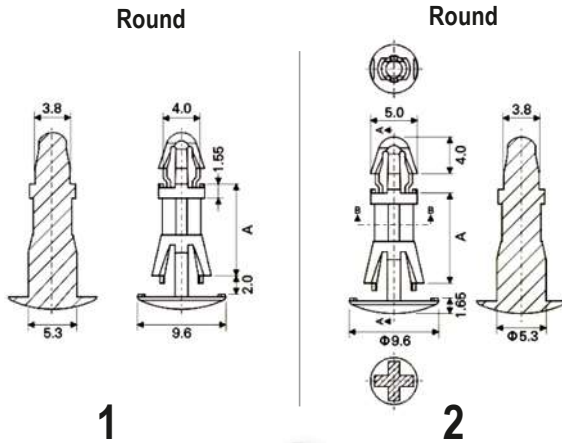


Circuit Board Support



1

2



Type
Material
Colour
Unit
Standard Pack

snap-lock
Nylon 6/6 V2 / DMS 801
natural
mm
1.000 pcs



Top Hole 4.0 ± 0.05 mm
Bottom Hole 5.4 ± 0.05 mm
Panel Thickness 1.6 mm

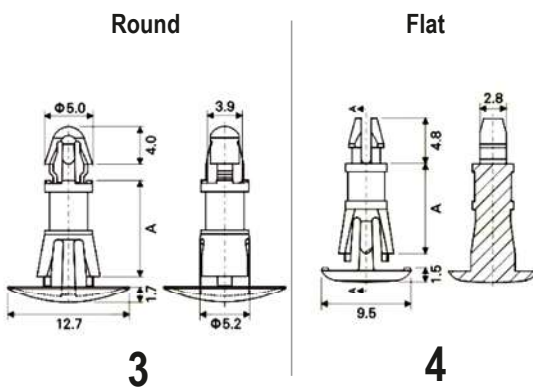
Type 1

Order No.	"A" ± 0.4
8G820V40578	6.0
8G820V40579	8.0
8G820V40580	10.0
8G820V40581	12.0
8G820V40582	14.0

Type 2

Order No.	"A" ± 0.4
8G820V41249	6.0
8G820V41250	8.0
8G820V41251	10.0
8G820V41252	12.0
8G820V41253	14.0

Circuit Board Support



3

4



Type
Material
Colour
Unit
Standard Pack

snap-lock
Nylon 6/6 V2 / DMS 801
natural
mm
1.000 pcs



Top Hole 4.0 ± 0.08 mm
Panel Thickness 1.6 mm
Bottom Hole 5.4 ± 0.08 mm
Panel Thickness 1.0 ~ 1.6 mm

Type 3

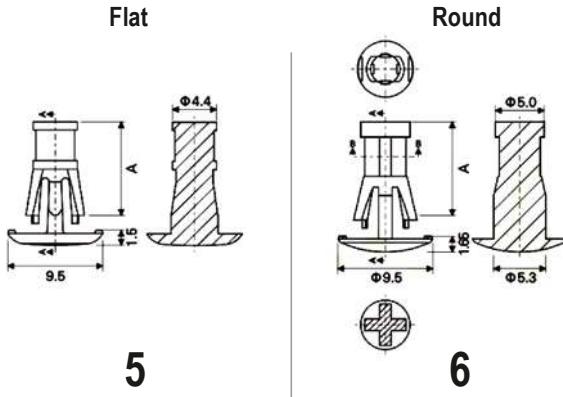
Order No.	"A" ± 0.4
8G820V41225	8.0
8G820V41226	10.0
8G820V41227	12.0
8G820V41228	14.0

Top Hole 3.18 ± 0.05 mm
Panel Thickness 1.57 mm
Bottom Hole 4.75 ± 0.05 mm
Panel Thickness 1.5 ~ 1.6 mm

Type 4

Order No.	"A" ± 0.4
8G820V41211	6.4
8G820V41212	7.9
8G820V41213	9.5
8G820V41214	11.1
8G820V41215	12.7
8G820V41216	14.3
8G820V41217	15.9

Circuit Board Support



Type snap-lock
Material Nylon 6/6 V2 / DMS 801
Colour natural
Unit mm
Standard Pack 1.000 pcs

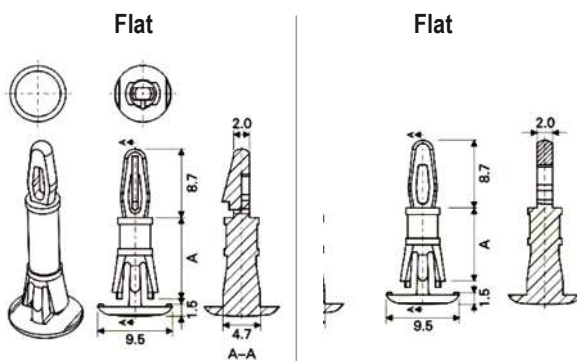
Bottom Hole 4.75 ± 0.05 mm
Panel Thickness 1.5 ~ 1.6 mm
Type 5

Order No.	"A" ± 0.4
8G8204.75x6.4	6.4
8G8204.75x7.9	7.9
8G8204.75x9.5	9.5
8G8204.75x11.1	11.1
8G8204.75x12.7	12.7
8G8204.75x14.3	14.3
8G8204.75x15.9	15.9

Bottom Hole 5.4 ± 0.05 mm
Panel Thickness 1.6 mm
Type 6

Order No.	"A" ± 0.4
8G8205.4x6.0	6.0
8G8205.4x8.0	8.0
8G8205.4x10.0	10.0
8G8205.4x12.0	12.0
8G8205.4x14.0	14.0

Circuit Board Support



Type snap-lock
Material Nylon 6/6 V2 / DMS 801
Colour natural
Unit mm
Standard Pack 1.000 pcs

Top Hole 3.18 ± 0.05 mm
Panel Thickness 1.57 mm
Bottom Hole 4.75 ± 0.05 mm
Panel Thickness 1.5 ~ 1.6 mm
Type 7

Order No.	"A" ± 0.4
8G820V40618	6.4
8G820V40620	7.9
8G820V40621	9.5
8G820V40622	11.1
8G820V40623	12.7
8G820V40625	14.3
8G820V40626	15.9

Top Hole 3.18 ± 0.05 mm
Panel Thickness 1.57 mm
Bottom Hole 4.75 ± 0.05 mm
Panel Thickness 1.5 ~ 1.6 mm
Type 8

Order No.	"A" ± 0.4
8G820V41218	6.4
8G820V41219	7.9
8G820V41220	9.5
8G820V41221	11.1
8G820V41222	12.7
8G820V41223	14.3
8G820V41224	15.9

Circuit Board Support

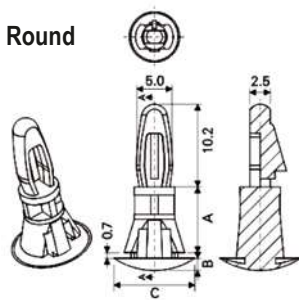
Round



Flat



Type snap-lock
Material Nylon 6/6 V2 / DMS 801
Colour natural
Unit mm
Standard Pack 1.000 pcs



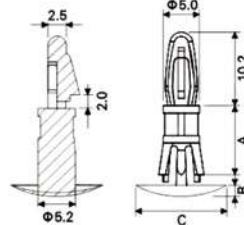
9

Top Hole 4.0 ± 0.08 mm
Panel Thickness 1.56 mm
Bottom Hole 6.0 ± 0.08 mm
Panel Thickness 0.8 ~ 1.2 mm

Type 9 "B" = 1.5 mm "C" = 10.0 mm

Order No.	"A" ± 0.4
8G820V40893	4.8
8G820V40894	6.4
8G820V40895	9.5
8G820V40896	12.7
8G820V40897	15.9
8G820V40898	19.1

Round



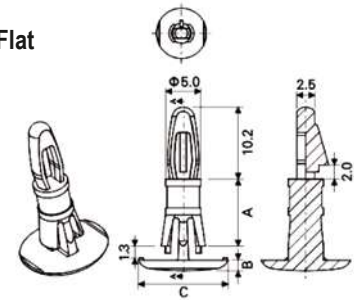
10

Top Hole 4.0 ± 0.08 mm
Panel Thickness 1.56 mm
Bottom Hole 5.4 ± 0.08 mm
Panel Thickness 1.2 ~ 2.0 mm

Type 10 "B" = 1.5 mm "C" = 12.7 mm

Order No.	"A" ± 0.4
8G820V40889	6.4
8G820V40890	9.5
8G820V40891	12.7
8G820V40892	15.9

Flat



11

Top Hole 4.0 ± 0.08 mm
Panel Thickness 1.57 mm
Bottom Hole 5.4 ± 0.08 mm
Panel Thickness 1.5 ~ 1.65 mm

Type 11 "B" = 1.8 mm "C" = 12.7 mm

Order No.	"A" ± 0.4
8G820V40984	6.4
8G820V40985	9.5
8G820V40986	12.7
8G820V40987	15.9

Top Hole 4.0 ± 0.08 mm
Panel Thickness 1.57 mm
Bottom Hole 6.35 ± 0.08 mm
Panel Thickness 1.5 ~ 1.65 mm

Type 11 "B" = 1.8 mm "C" = 12.7 mm

Order No.	"A" ± 0.4
8G820V40988	6.4
8G820V40989	9.5
8G820V40990	12.7
8G820V40991	15.9