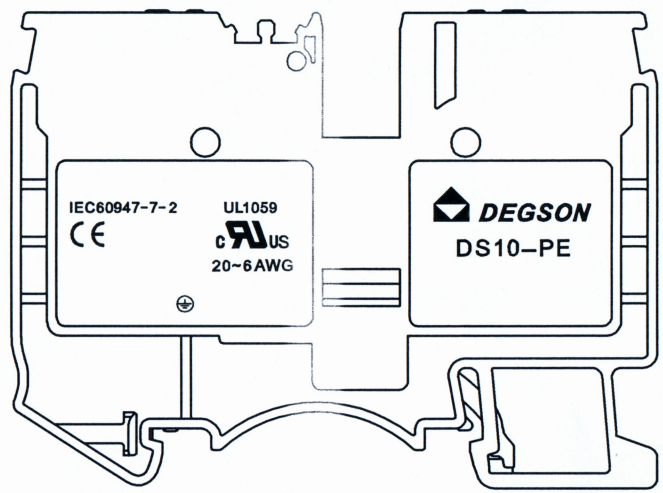
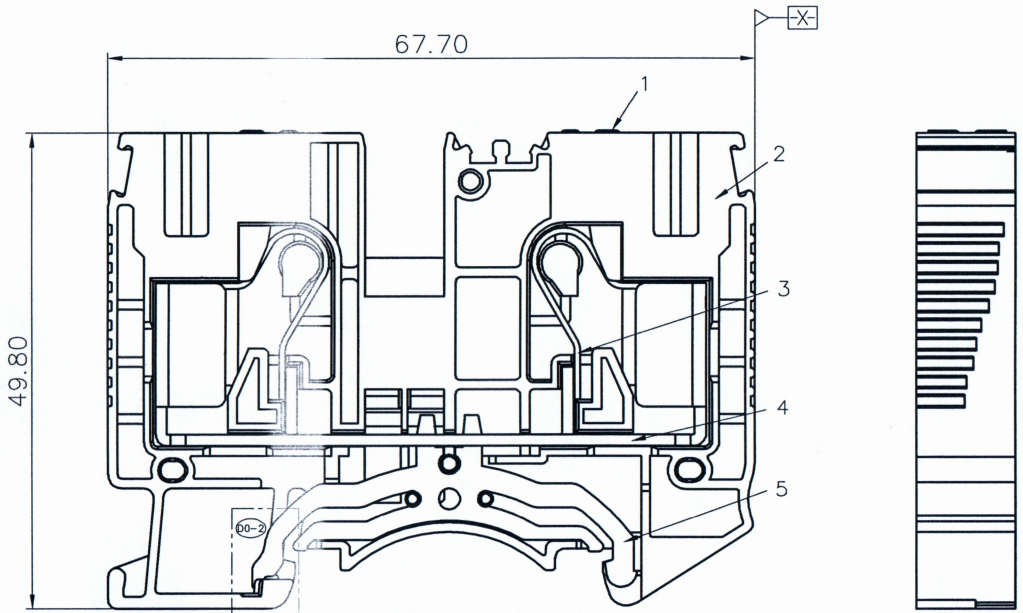


REVISION RECORD				
REV	ECN	DESCRIPTION	DRFT	DATE
00-2		RESTRUCTURE	BARON	09/14/16"



仅供参考图  
 签字: *[Signature]*  
 日期: 2016.09.18



NOTES1:

- UL Standard
- 1.Wire Range : 20~6AWG
- IEC Standard
- 1.

Pollution Degree	3
Overtoltage Category	III
Rate Impulse Voltage(kV)	8.0KV
Rate Voltage(V)	/
Rate Current(A)	/

2.Wire Range : 0.5~10mm<sup>2</sup>; sol:16mm<sup>2</sup>

NOTES2:

- 1.Dimension shall be interpreted per ASME Y14.5-2009
- 2.Pitch : 10.2mm
- 3.Stripping length : 16~18mm
- 4.Operating temperature: -40°C~+105°C
- 5.Undimensioned Tolerances:

Pitch Range In mm		Nominal Dimension Range In mm							-	∩	∇
TO	Over	Over	TO	Over	Over	Over	Over	0.1/10			
6	10	24	30	60	100	150	150				
±0.15	±0.20	±0.30	±0.30	±0.50	±0.70	±1.00	±1.30	±2*			

6.RoHS Compliance

ITEM	NAME OF PART	Q"TY	MATERIAL	NOTES
5	Grounding	3	Phosphor Bronze	Sn plated
4	Current Carrier	1	Copper	Sn plated
3	Spring	2	Stainless steel	
2	Housing	1	PA66	UL94V-0
1	Button	2	POM	UL94V-2

DETACHED LISTS	PART NO.: /	宁波高松电子有限公司 NINGBO DEGSON ELECTRICAL CO., LTD		
	APPD: Alan 03/18/16	NAME: DS10-PE-01P-1C-00A(H)		
	CHKD: Baron 2016.9.18	TITLE: CUSTOMER DRAWING		
	DRFT: ding 01/28/16"	DRAWING NO.: DS10-PE-C01	REV	DO-2
		DRAWING NO.: DS10-PE-C01 SHEET 1/1	DO NOT SCALE DRAWING SCALE 1:1	

H  
G  
F  
E  
D  
C  
B  
A

H  
G  
F  
E  
D  
C  
B  
A