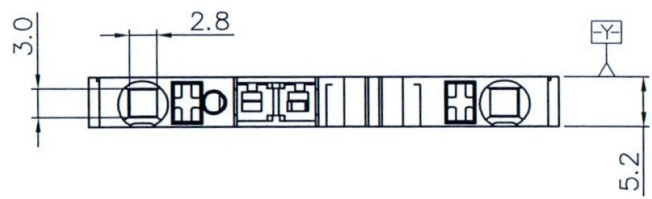
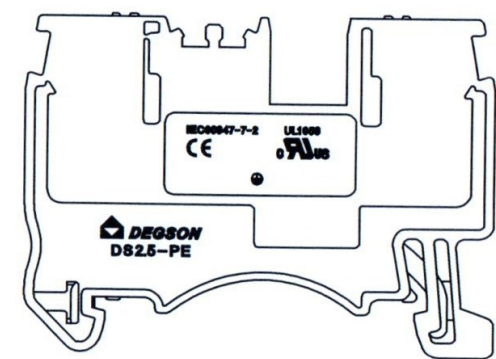
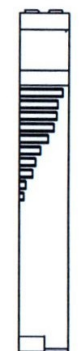
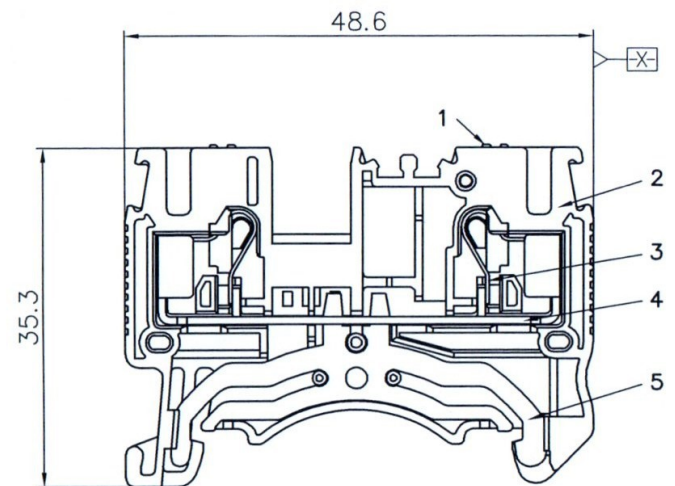


REVISION RECORD				
REV	ECN	DESCRIPTION	DRFT	DATE



仅供参考图
 签字: *董贵A*
 日期: 2016.06.16



NOTES1:

UL Standard
 1.Wire Range : 26~12AWG

IEC Standard

1. Pollution Degree	3
Overvoltage Category	III
Rate Impulse Voltage(KV)	8.0KV
Rate Voltage(V)	/
Rate Current(A)	/

2.Wire Range : 0.2~2.5mm²; sol: 4mm²

NOTES2:

- 1.Dimension shall be interpreted per ASME Y14.5-2009
- 2.Pitch : 5.2mm, Poles : N=01P
- 3.Stripping length : 10-12mm
- 4.Operating temperature: -40°C~+105°C
- 5.Undimensioned Tolerances:

Pitch Range In mm		Nominal Dimension Range In mm							
TO	Over TO	Over TO	Over TO	Over TO	Over TO				
6	6 TO 10	10 TO 24	30 TO 30	60 TO 60	100 TO 100	150 TO 150	0.1/10		
	±0.15	±0.20	±0.30	±0.30	±0.50	±0.70	±1.00	±1.30	±2'

6.RoHS Compliance

ITEM	NAME OF PART	Q'TY	MATERIAL	NOTES
5	DS2.5-PE-00A Grounding	1	Phosphor Bronze	Sn plated
4	DS2.5-00A Current Carrier	1	Copper	Sn plated
3	DS2.5-00A Spring	2	Stainless steel	
2	DS2.5-PE-00A Housing	1	PA66	UL94V-0
1	DS2.5-00A Button	2	POM	UL94V-2

DETACHED LISTS	PART NO.: /		宁波高松电子有限公司 DEGSON ® NINGBO DEGSON ELECTRICAL CO., LTD	
	APPD: Alan 06/16/16"		NAME: DS2.5-PE-01P-1C-00A(H)	
	CHKD: Ding 2016.6.16		TITLE: CUSTOMER DRAWING	
	DRFT: ding 01/28/16"		REV	DO-1
	THIRD ANGLE PROJECTION		DRAWING NO.: DS2.5-PE-C01	SHEET 1/1
DO NOT SCALE DRAWING		SCALE	1:1	