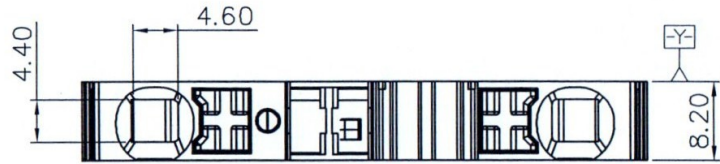
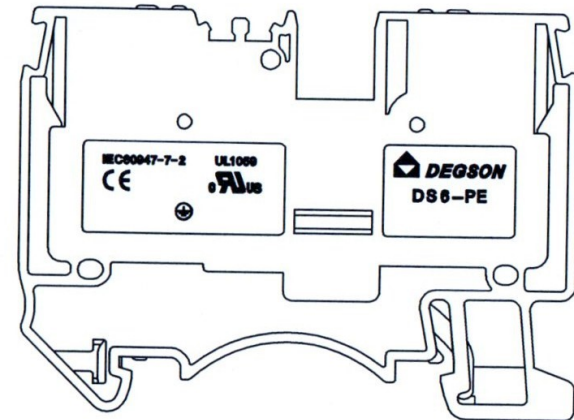
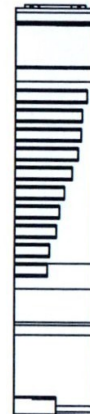
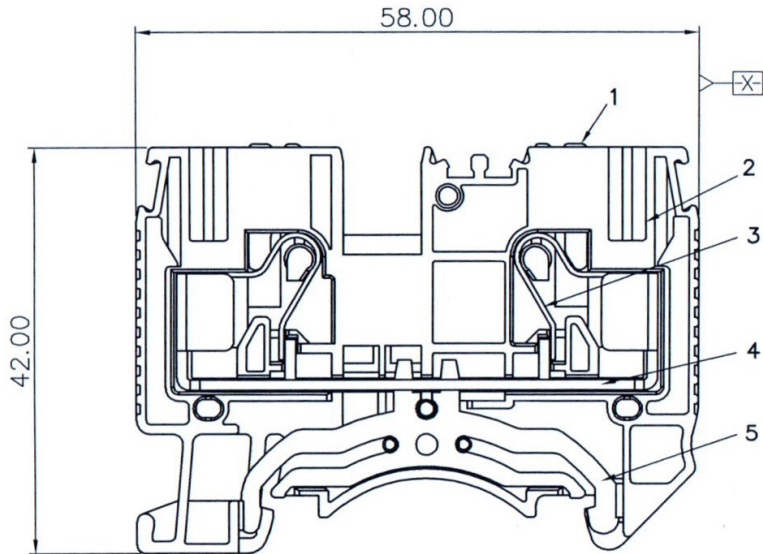


REVISION RECORD				
REV	ECN	DESCRIPTION	DRFT	DATE



仅供参考图
 签字: 汪贵九
 日期: 2016.06.16.



NOTES1:

- UL Standard
- 1.Wire Range : 20~8AWG
- IEC Standard

Pollution Degree	3
Overvoltage Category	III
Rate Impulse Voltage(KV)	8.0KV
Rate Voltage(V)	/
Rate Current(A)	/

2.Wire Range : 0.5~6mm²; sol: 10mm²

NOTES2:

- 1.Dimension shall be interpreted per ASME Y14.5-2009
- 2.Pitch : 8.2mm
- 3.Stripping length : 10-12mm
- 4.Operating temperature: -40°C~+105°C
- 5.Undimensioned Tolerances:

Pitch Range In mm	Nominal Dimension Range In mm							Tolerance	
	Over 6 TO 10	Over 10 TO 24	Over 30 TO 60	Over 60 TO 100	Over 100 TO 150	Over 150	0.1/10		
	±0.15	±0.20	±0.30	±0.30	±0.50	±0.70	±1.00	±1.30	±2°

6.RoHS Compliance

ITEM	NAME OF PART	Q"TY	MATERIAL	NOTES
5	Grounding	2	Phosphor Bronze	Sn plated
4	Current Carrier	1	Copper	Sn plated
3	Spring	2	Stainless steel	
2	Housing	1	PA66	UL94V-0
1	Button	2	POM	UL94V-2

DETACHED LISTS	PART NO.:	/		
	APPD:	Alan 06/16/16"		
	CHKD:	Dixky 2016.6.16		
	DRFT:	ding 01/28/16"		
	THIRD ANGLE PROJECTION			
NAME:		宁波高松电子有限公司 NINGBO DEGSON ELECTRICAL CO., LTD		
TITLE:		CUSTOMER DRAWING		
DRAWING NO.:		DS6-PE-C01		
DO NOT SCALE DRAWING		SCALE 1:1		

H
G
F
E
D
C
B
A

H
G
F
E
D
C
B
A