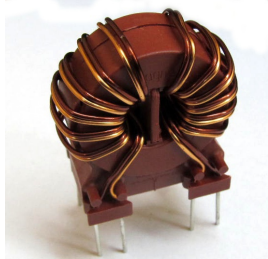


# DTSN-28 NANOPERM COMMON MODE CHOKES



## APPLICATIONS:

- SMPS transformers
- current transformers
- control transformers
- current compensated chokes
- chokes operating in saturation (thyristor and triac systems)

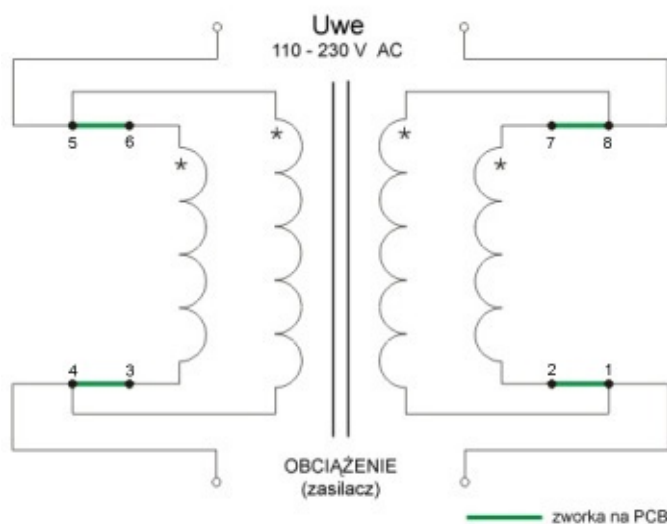
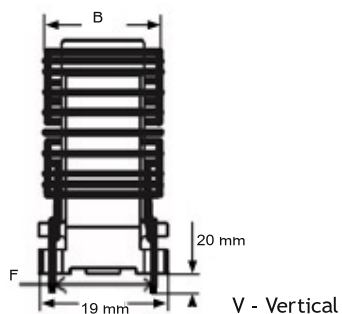
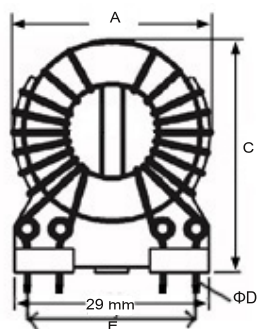
## ORDERING CODE:

DTSN- 28 / 2,2 / 0,3 - P

mounting: P - base vertical

rated current in Amps  
inductance in mH@ $I_{DC} = 0A$   
core outer diameter  
product symbol

## DIMENSIONS:



Part number	Type - core dimension ( $\pm 10\%$ )						Mounting version				
	A [mm]	B [mm]	C [mm]	D [mm]	E [mm]	F [mm]	V	H	BV	CV	CH
DTSN-28/33/1,4-P	32.0	14,0	38,0	2x0,3	1x15.24, 2x5.08	15.24	—	—	✓	—	—
DTSN-28/22/2,4-P	32.5	14,5	38,0	2x0,4	1x15.24, 2x5.08	15.24	—	—	✓	—	—
DTSN-28/15/3,8-P	33.0	15,0	38,0	2x0,5	1x15.24, 2x5.08	15.24	—	—	✓	—	—
DTSN-28/10/5,6-P	33.5	15,5	38,0	2x0,6	1x15.24, 2x5.08	15.24	—	—	✓	—	—
DTSN-28/6,8/8,0-P	33.5	16,0	38,0	2x0,71	1x15.24, 2x5.08	15.24	—	—	✓	—	—
DTSN-28/4,7/10-P	34.0	16,0	38,0	2x0,8	1x15.24, 2x5.08	15.24	—	—	✓	—	—
DTSN-28/3,3/12-P	34.5	16,5	38,0	2x0,9	1x15.24, 2x5.08	15.24	—	—	✓	—	—
DTSN-28/2,2/15-P	35.0	16,5	38,0	2x1,0	1x15.24, 2x5.08	15.24	—	—	✓	—	—

**ELECTRICAL PROPERTIES:**

Part number	Lmax [mH]	I <sub>max</sub> [A]	RDC [Ω]
DTSN-28/33/1,4-P	2x33	1,4	0,120
DTSN-28/22/2,4-P	2x22	2,4	0,090
DTSN-28/15/3,8-P	2x15	3,8	0,050
DTSN-28/10/5,6-P	2x10	5,6	0,018
DTSN-28/6,8/8,0-P	2x6,8	8,0	0,010
DTSN-28/4,7/10-P	2x4,7	10,0	0,006
DTSN-28/3,3/12-P	2x3,3	12,0	0,005
DTSN-28/2,2/15-P	2x2,2	15,0	0,004

**CHARACTERISTICS:**

