

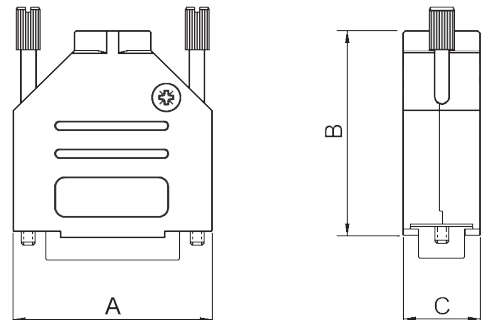
TECHNICAL SPECIFICATIONS

D-Sub Hood:

Material: Zinc, Nickel Plated
 Operating Temperature: -40°C to +120°C
 Cable Entry: Top Entry
 Thumbscrews: UNC 4-40 (Standard)
 Cable O.D.: Up to 11,5mm (Size 9-37)
 Up to 17mm (Size 50)

D-Sub High Density:

Insulator: PBT, Black, UL94 V-0
 Shell: Stamped Steel, Tin Plated
 Contact pins: Copper Alloy
 Stamped & Formed pins: 100 inserts min
 Contacts Plating: Selective Gold over Nickel
 Operating Temperature: -55°C to +105°C
 Withstanding voltage: 500V for 1 minute
 Insulator resistance: 500MΩ min



D-Sub-Hood

Features:

- Available in sizes 9-15-25-37
- Packed in Kit with FEMALE/MALE HD-connector
- Re-openable
- Full Metal Jackscrew as standard.

| Size DTZK | Dim A | Dim B | Dim C |
|-----------|-------|-------|-------|
| 9-way | 31,0 | 39,5 | 15,0 |
| 15-way | 39,5 | 41,5 | 15,0 |
| 25-way | 53,5 | 48,5 | 15,0 |
| 37-way | 71,0 | 53,0 | 15,0 |
| 50-way | | | |

Ordering information:

D-Sub Connector Kits (100 inserts min.)

| Size: | P/N - Kitted: | Product Code - MALE Conn. Kit |
|-------|---------------|-------------------------------|
| HD 15 | 6355-0012-01 | DTZK09-HDP15-K |
| HD 26 | 6355-0012-02 | DTZK15-HDP26-K |
| HD 44 | 6355-0012-03 | DTZK25-HDP44-K |
| HD 62 | 6355-0012-04 | DTZK37-HDP62-K |
| HD 78 | 6355-0012-05 | DTZK50-HDP78-K |

| Size: | P/N - Kitted: | Product Code - FEMALE Conn. Kit |
|-------|---------------|---------------------------------|
| HD 15 | 6355-0012-11 | DTZK09-HDS15-K |
| HD 26 | 6355-0012-12 | DTZK15-HDS26-K |
| HD 44 | 6355-0012-13 | DTZK25-HDS44-K |
| HD 62 | 6355-0012-14 | DTZK37-HDS62-K |
| HD 78 | 6355-0012-15 | DTZK50-HDS78-K |