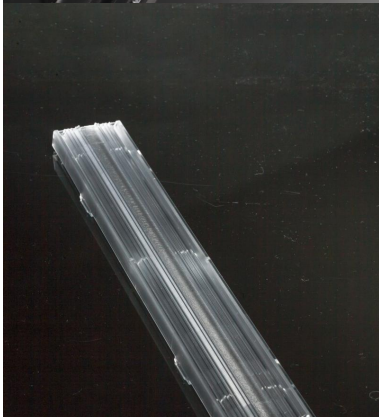


**Product number F15860\_LINNEA-Z2T25**

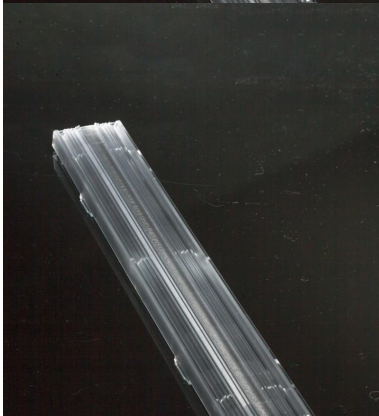
Family	Linnea	FWHM	Asymmetric degrees
Type	Lens	Efficiency	87 %
LED	LM561B Plus	cd/lm	0.480
Color	Clear	Gerber File	Available
Diameter	285x40 mm		
Height	10.3 mm		
Style	Rectang		
Optic Material	PC		
Holder Material	-		
Fastening	["clips"]		
Status	Sample approved		

**Product number F15861\_LINNEA-ZT25**

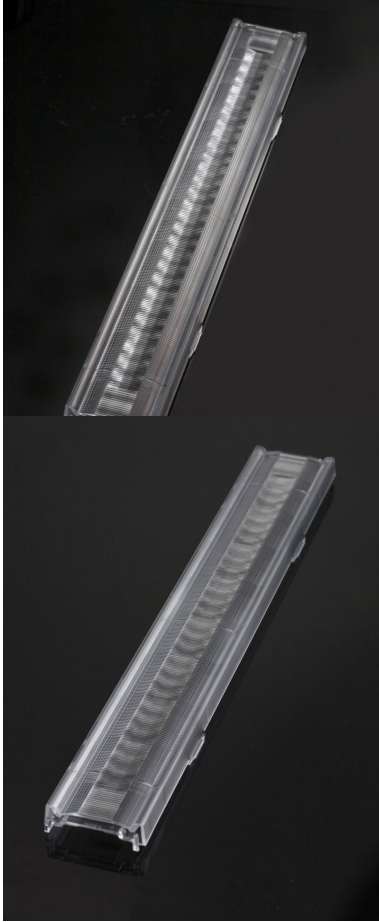
Family	Linnea	FWHM	Asymmetric degrees
Type	-	Efficiency	79 %
LED	LM561B Plus	cd/lm	0.700
Color	Clear	Gerber File	Available
Diameter	285x40 mm		
Height	9.5 mm		
Style	Rectang		
Optic Material	-		
Holder Material	-		
Fastening	["clips"]		
Status	Sample approved		

**Product number F15756\_LINNEA-O**

Family	Linnea	FWHM	35+70 degrees
Type	Lens	Efficiency	81 %
LED	LM561B Plus	cd/lm	0.820
Color	Clear	Gerber File	Available
Diameter	280x40 mm		
Height	12 mm		
Style	Rectang		
Optic Material	PC		
Holder Material	-		
Fastening	""		
Status	Sample approved		

**Product number F15952\_LINNEA-O-B**

Family	Linnea	FWHM	35+70 degrees
Type	Lens	Efficiency	81 %
LED	LM561B Plus	cd/lm	0.820
Color	Clear	Gerber File	Available
Diameter	280x40 mm		
Height	12 mm		
Style	Rectang		
Optic Material	PC		
Holder Material	-		
Fastening	""		
Status	Sample approved		

**Product number F15523\_LINNEA-90**

Family	Linnea	FWHM	88+100 degrees
Type	Lens	Efficiency	83 %
LED	LM561B Plus	cd/lm	0.390
Color	Clear	Gerber File	Available
Diameter	285x40 mm		
Height	9.5 mm		
Style	Rectang		
Optic Material	PC		
Holder Material	-		
Fastening	["clips"]		
Status	Production ready		

**Product number F15940\_LINNEA-90-B**

Family	Linnea	FWHM	89+104 degrees
Type	Lens	Efficiency	83 %
LED	LM561B Plus	cd/lm	0.380
Color	Clear	Gerber File	Available
Diameter	285x40 mm		
Height	9.5 mm		
Style	Rectang		
Optic Material	PC		
Holder Material	-		
Fastening	["clips"]		
Status	Production ready		

**NOTE: The typical divergence will be changed by different color, chip size and chip position tolerance. The typical total divergence is the full angle measured where the luminous intensity is half of the peak value.**



## PRODUCT DATASHEET

### Linnea series

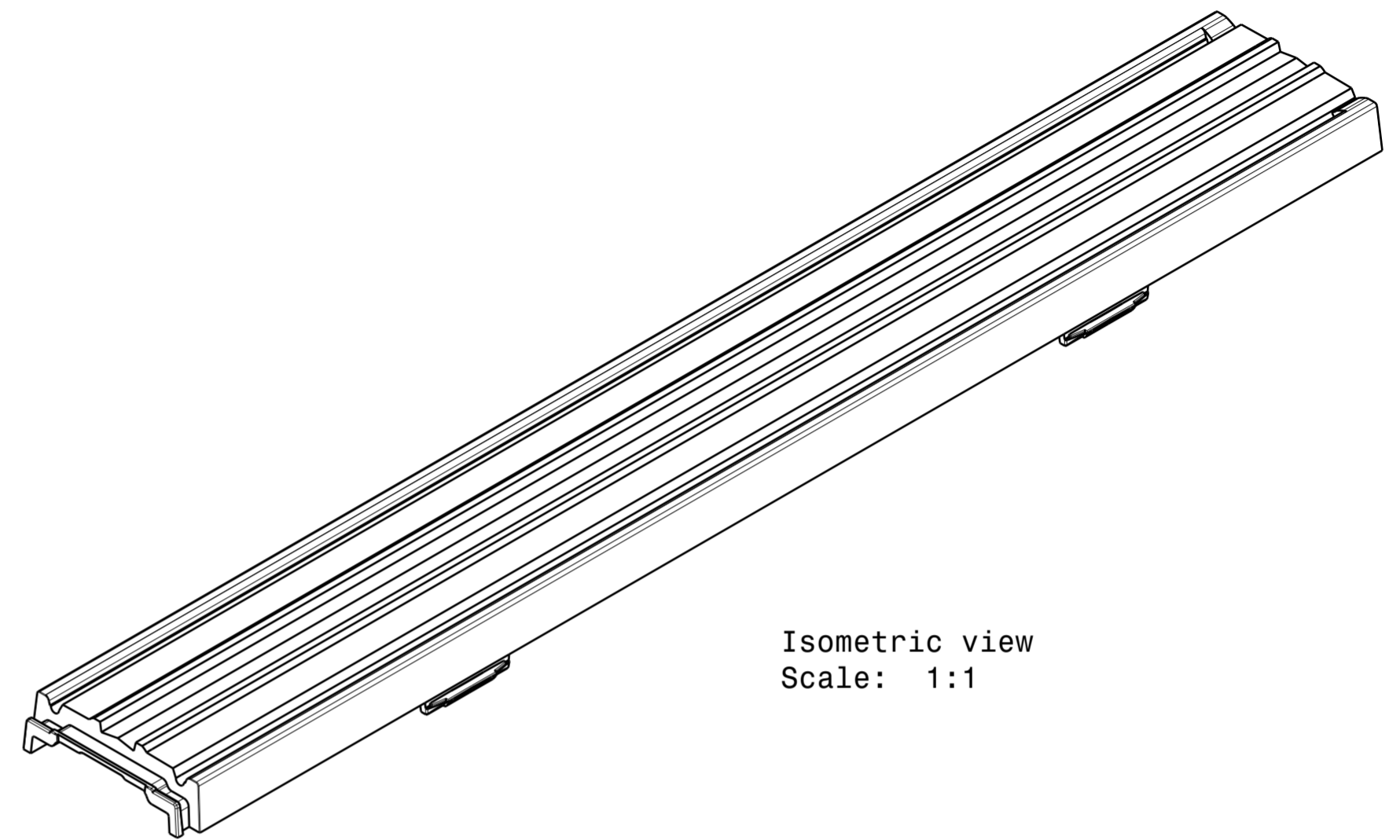
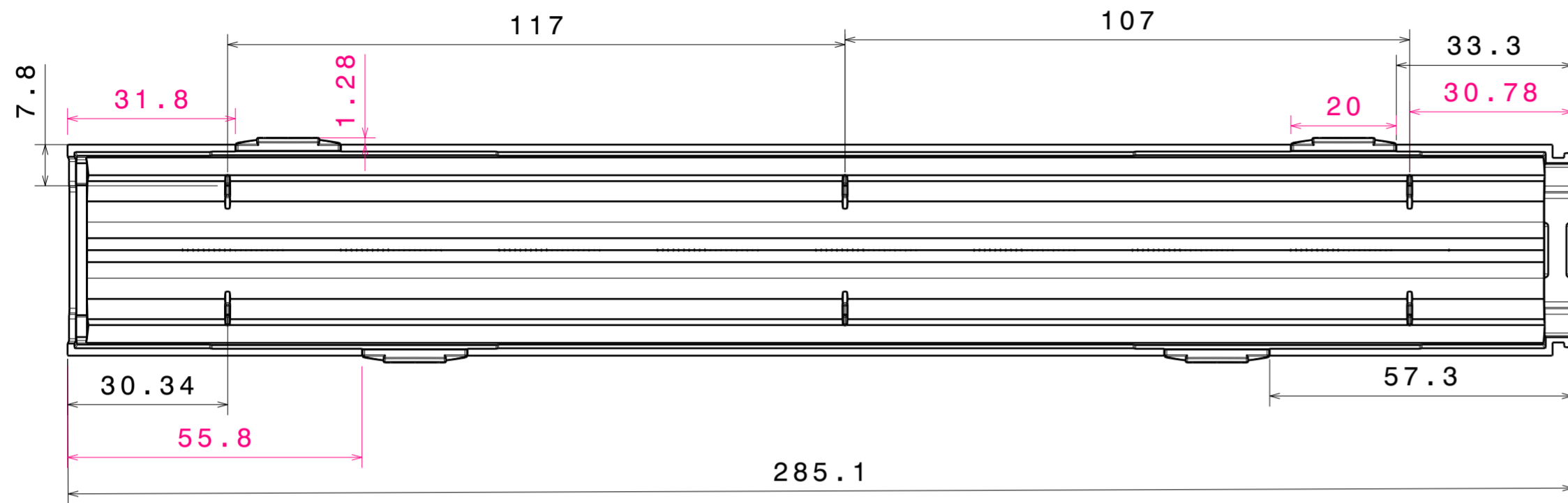
last update 3/8/2017

#### GENERAL INFORMATION

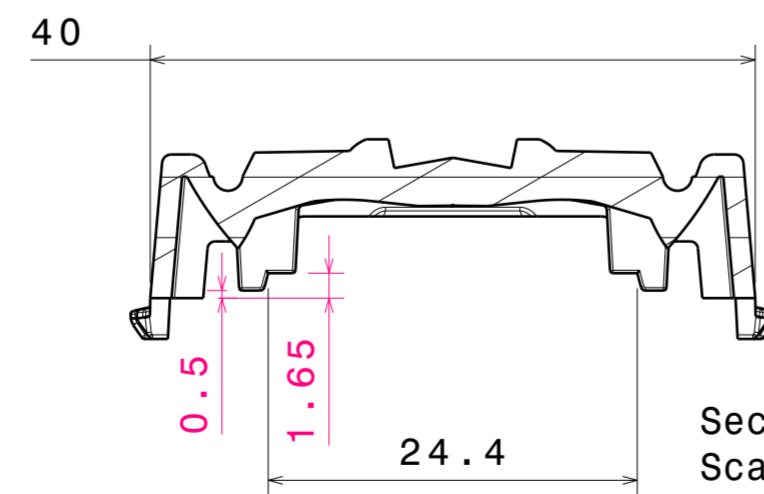
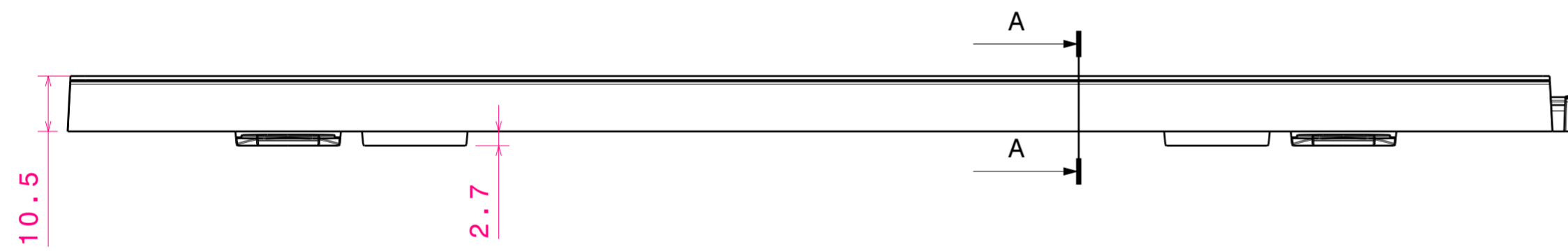
- Product series especially designed & optimized for LM561B Plus series of LEDs.
- Special care taken to make light distribution as uniform as possible.
- Lens material optical grade PC with high UV and temperature resistance (100 degrees of Celcius / 212 degrees of Fahrenheit). Allows use of high current and temperature conditions.

Please find more information about used materials from below:

[http://ledil.fi/sites/default/files/Documents/Technical/Material/PC%20Makrolon%202400\\_2407\\_2456\\_2458-UL.pdf](http://ledil.fi/sites/default/files/Documents/Technical/Material/PC%20Makrolon%202400_2407_2456_2458-UL.pdf)



Isometric view  
Scale: 1:1

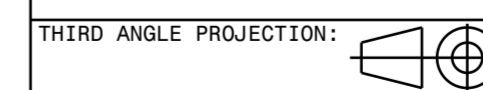


Section view A-A  
Scale: 2:1

INDEX	PART NO	DESCRIPTION	MATERIAL	COLOUR
1	F15952	LINNEA-0-B	PC Lexan 123R	clear

Tolerances if not otherwise shown  
According to DIN ISO 2768-1  
Linear measures:  
Up to 30mm class M, otherwise class C.  
According to DIN ISO 2768-2  
Form and position: class L

**LEDiL** Ledil Oy  
Salorankatu 10  
FIN 24240 SALO  
Finland



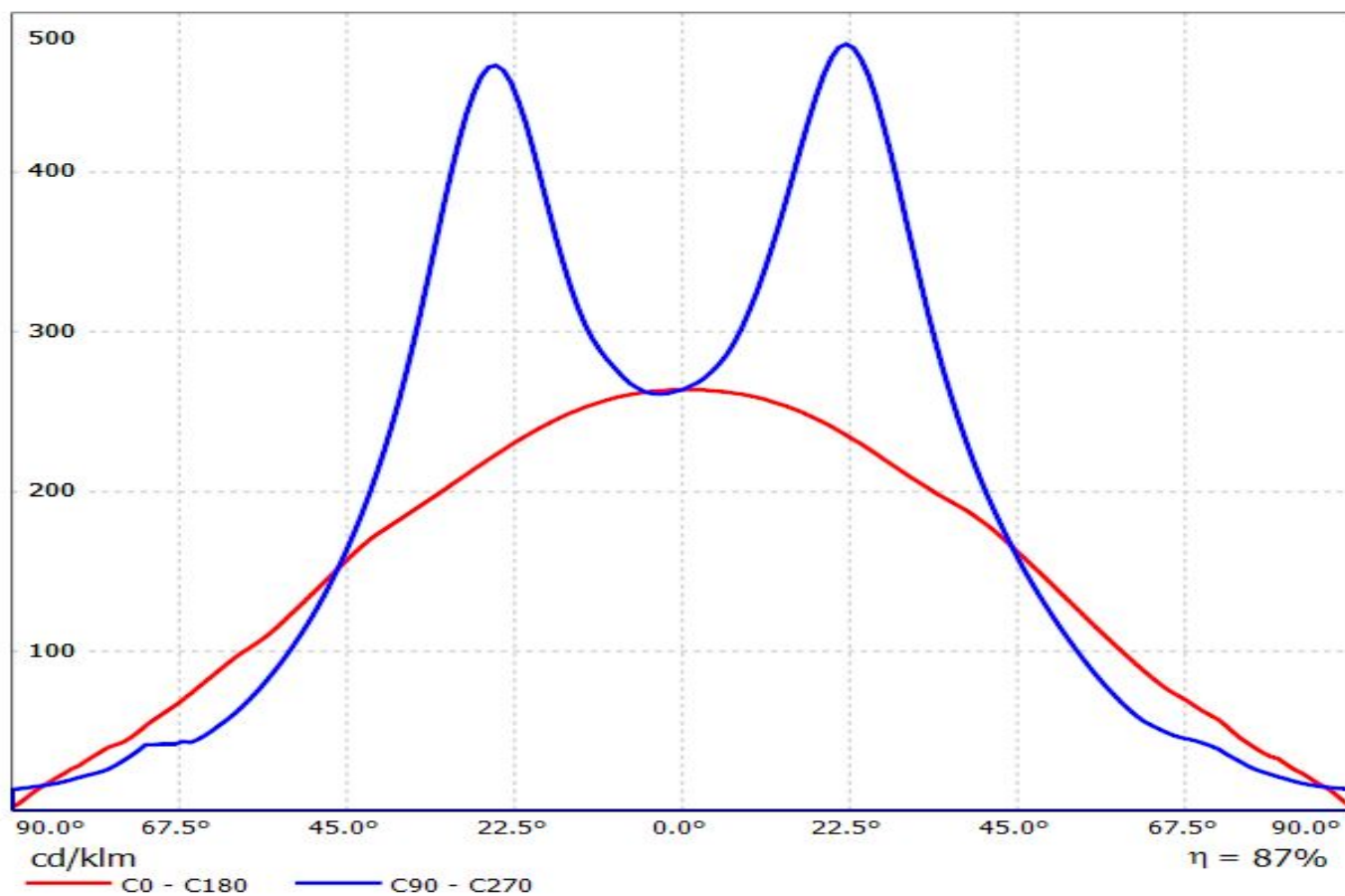
THIRD ANGLE PROJECTION:  
DRAWING TITLE  
F15952\_LINNEA-0-B

This drawing is the property  
of LEDiL Oy. It may not be  
reproduced, copied or  
communicated without a written  
agreement with LEDiL Oy.

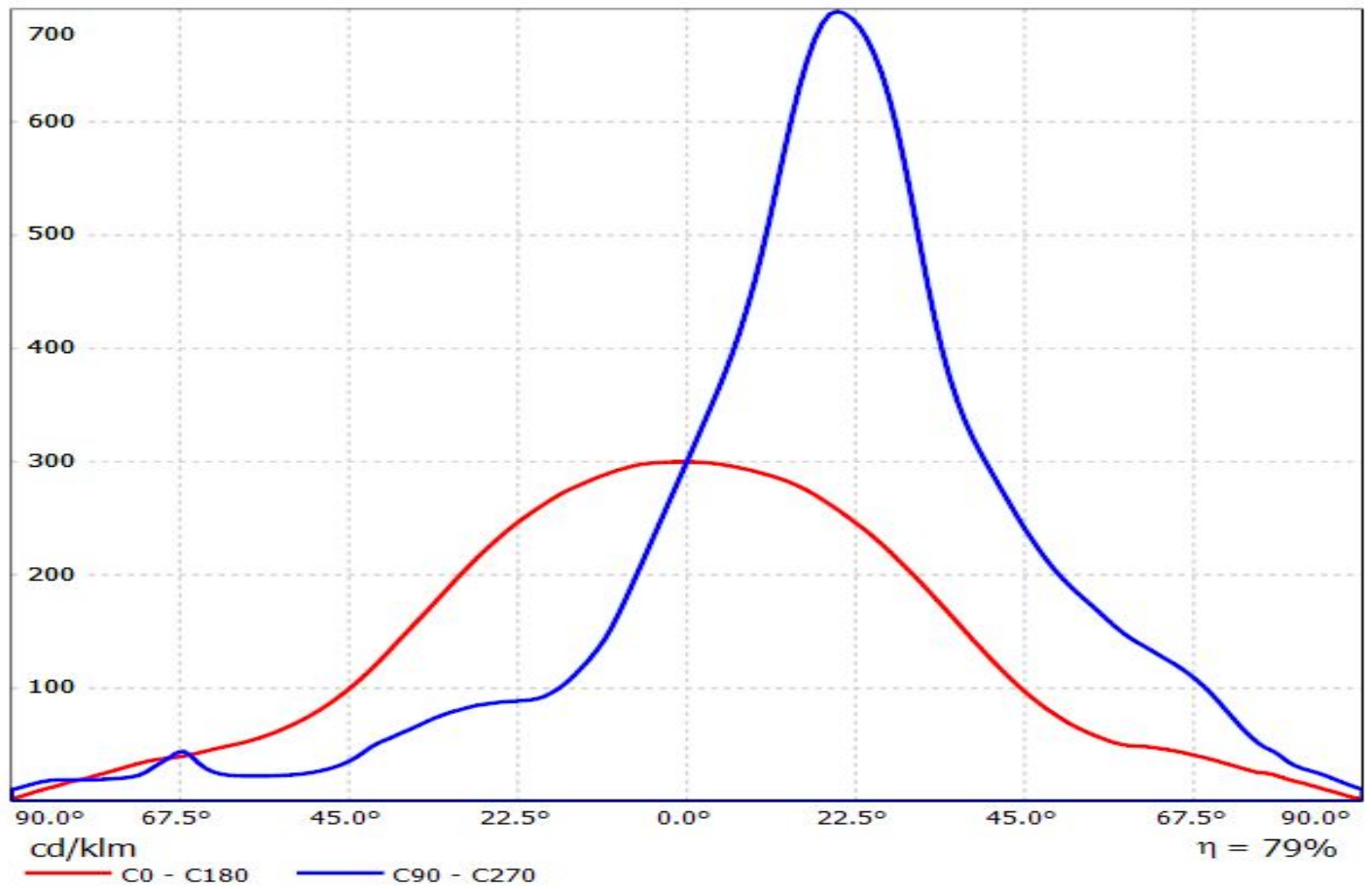
SIZE	PART NUMBER
A2	F15952

SCALE	1:1	WEIGHT	-	SHEET	1/1
-------	-----	--------	---	-------	-----

Luminaire: Ledil F15860\_LINNEA-Z2T25\_(LM561B+)\_Cav2  
Lamps: 1 x Samsung\_LM561B+\_1370.96lm@250mA\_P=9.12885W\_I=0.25A

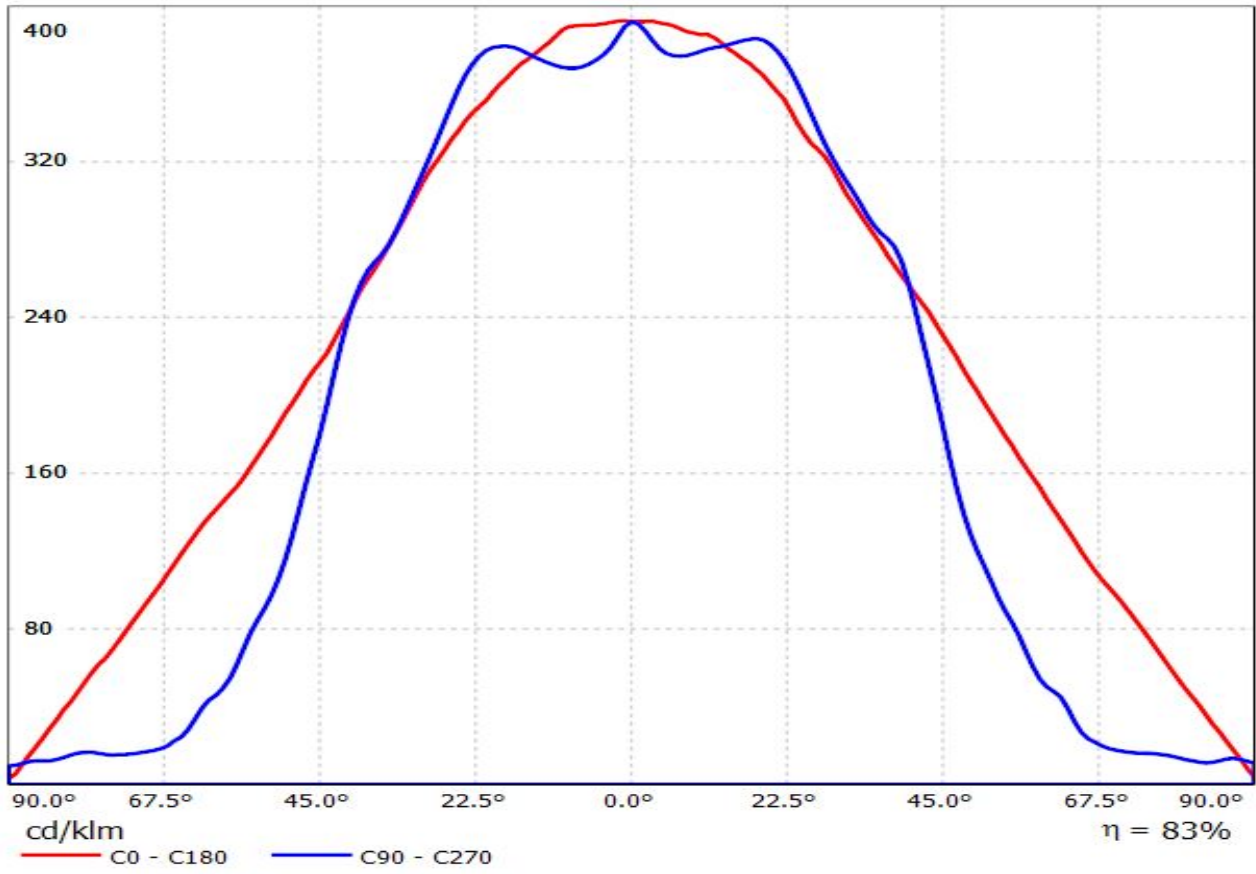


Luminaire: LEDiL Oy F15861\_LINNEA-ZT25\_(LM561B+)\_Cav1  
Lamps: 1 x Samsung\_LM561B+\_1352.18lm@250mA\_P=9.11545W\_I=0.25A



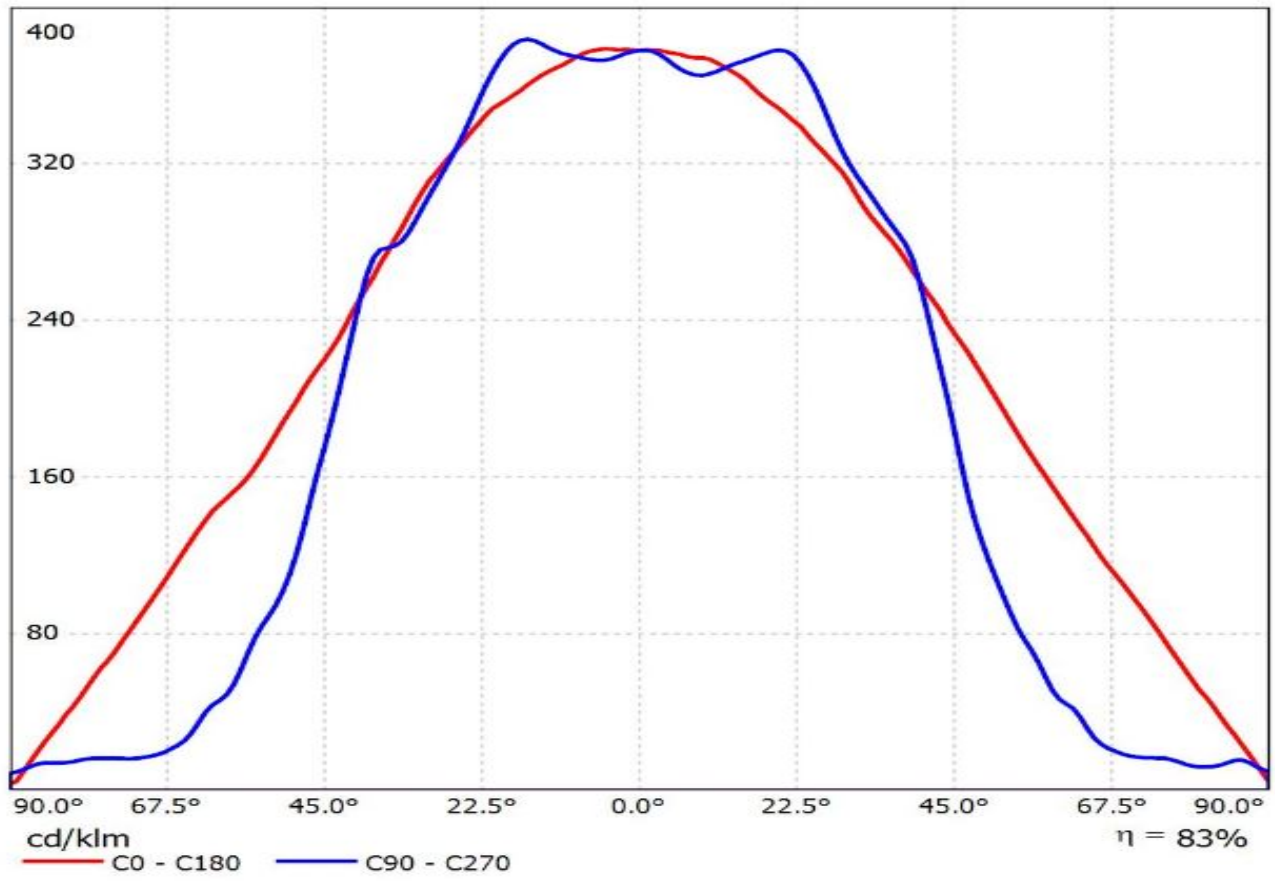
Luminaire: Ledil F15523\_LINNEA-90\_(LM561B+)

Lamps: 1 x Samsung\_LM561B+\_1417.99lm@250mA\_P=9.152W\_I=0.25A



Luminaire: Ledil F15940\_LINNEA-90-B\_(LM561B+)

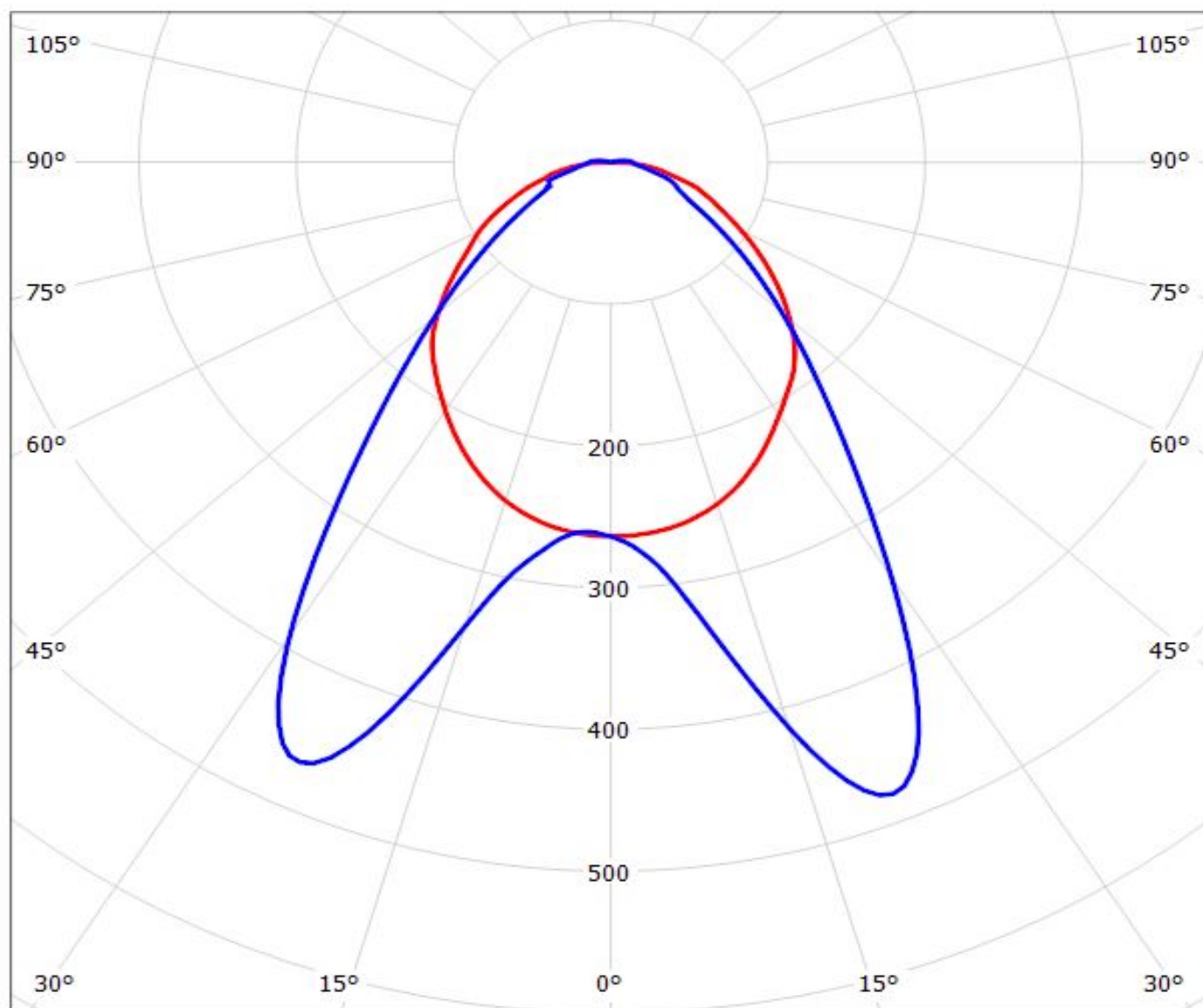
Lamps: 1 x Samsung\_LM561B+\_x24\_1418.16lm@250mA\_P=9.1415W\_I=0.25A





Luminaire: Ledil F15860\_LINNEA-Z2T25\_(LM561B+)\_Cav2

Lamps: 1 x Samsung\_LM561B+\_1370.96lm@250mA\_P=9.12885W\_I=0.25A

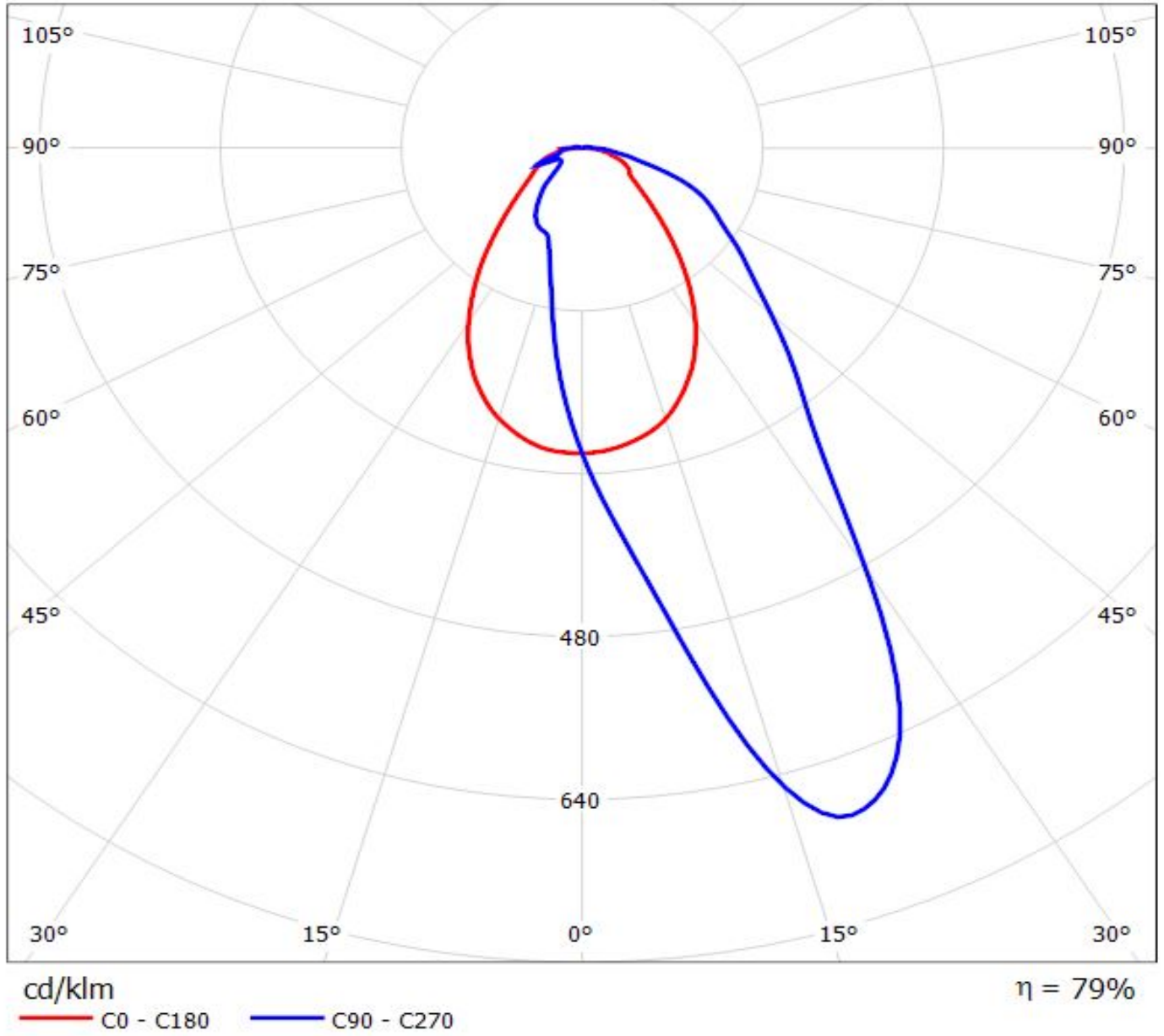


cd/klm

— C0 - C180 — C90 - C270

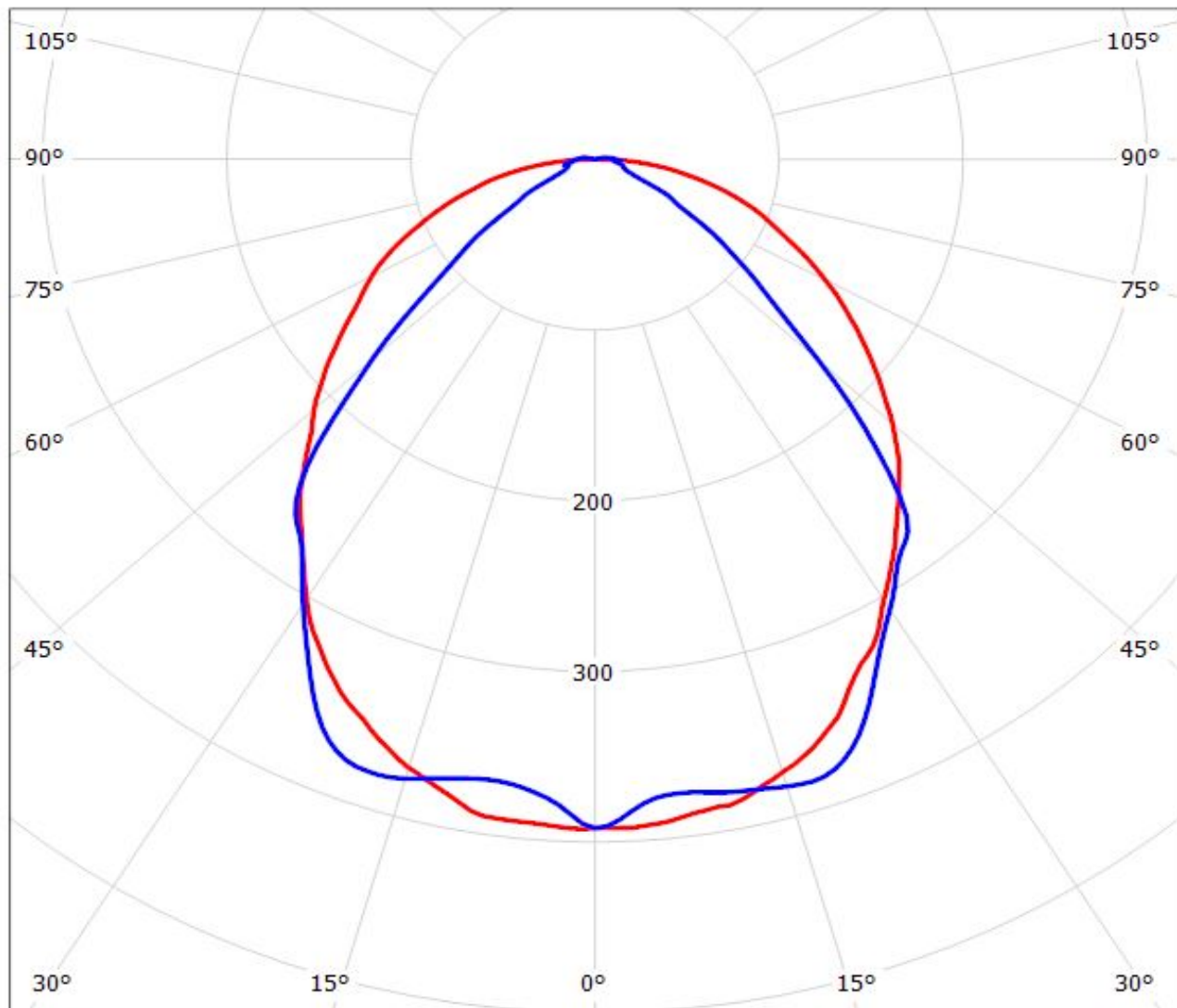
$\eta = 87\%$

Luminaire: LEDiL Oy F15861\_LINNEA-ZT25\_(LM561B+)\_Cav1  
Lamps: 1 x Samsung\_LM561B+\_1352.18lm@250mA\_P=9.11545W\_I=0.25A



Luminaire: Ledil F15523\_LINNEA-90\_(LM561B+)

Lamps: 1 x Samsung\_LM561B+\_1417.99lm@250mA\_P=9.152W\_I=0.25A



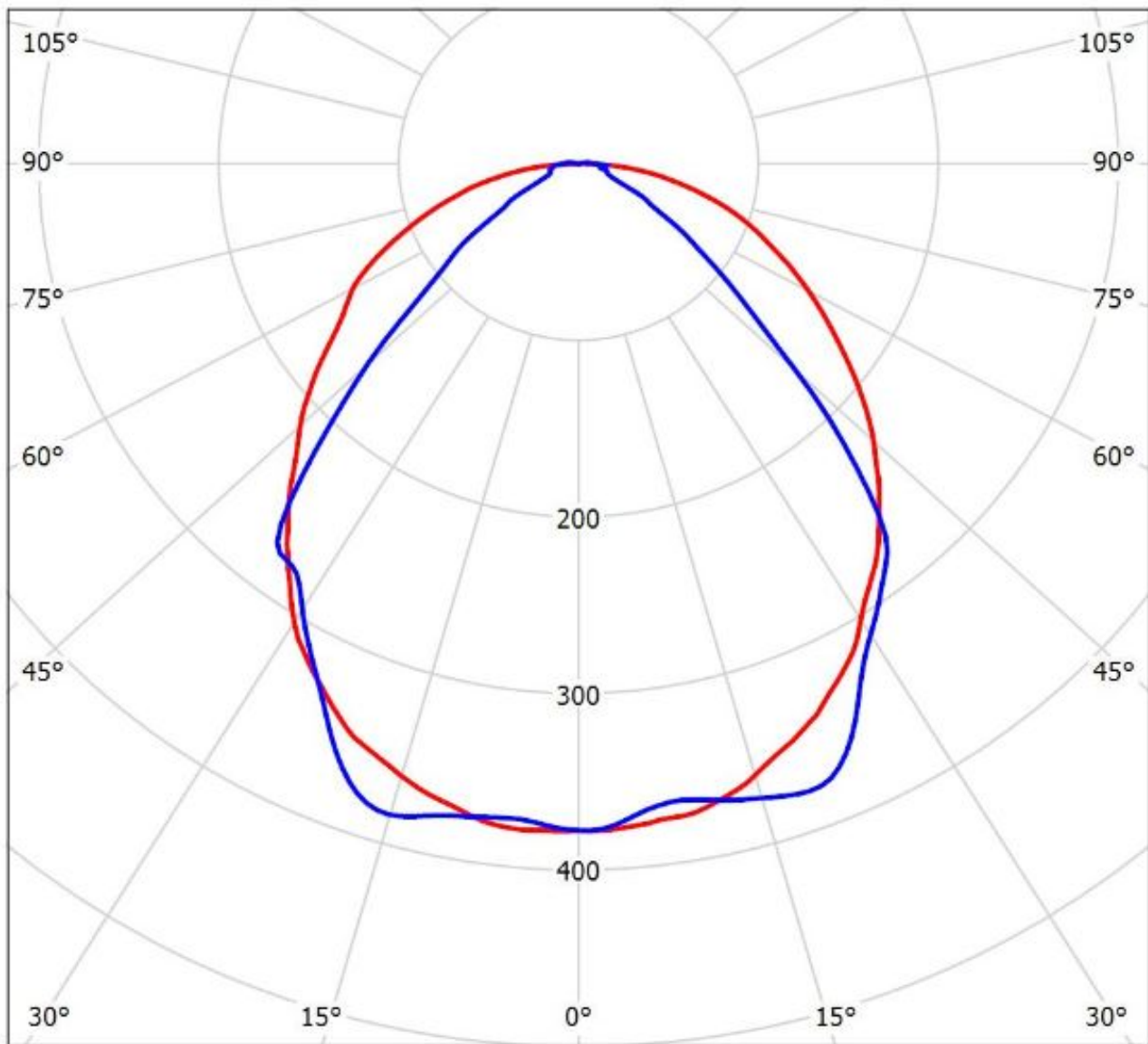
$\eta = 83\%$

cd/klm

— C0 - C180    — C90 - C270

Luminaire: Ledil F15940\_LINNEA-90-B\_(LM561B+)

Lamps: 1 x Samsung\_LM561B+\_x24\_1418.16lm@250mA\_P=9.1415W\_I=0.25A



cd/klm

— C0 - C180 — C90 - C270

$\eta = 83\%$