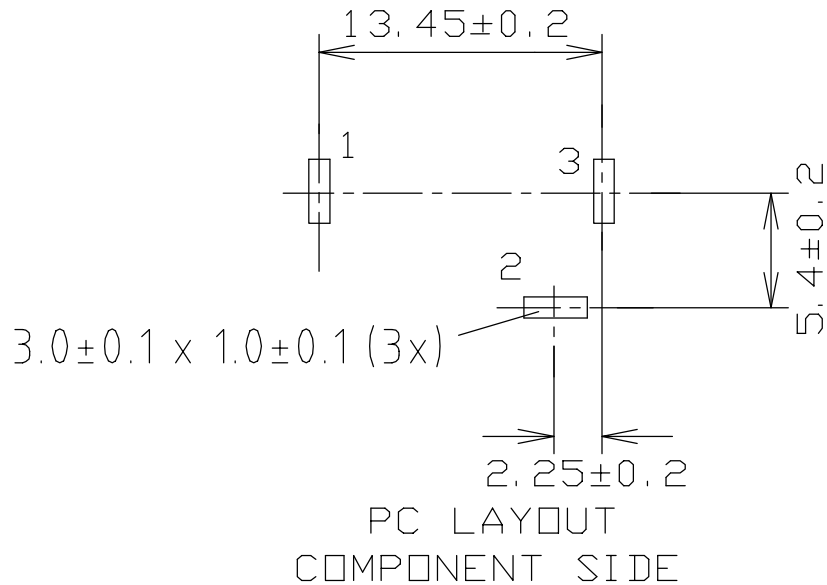
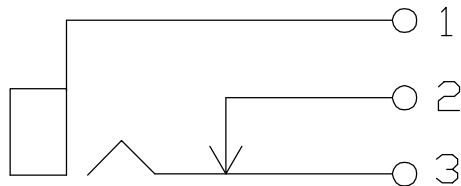


SCHMATIC



ISS.	AMEND	DATE
1	REDRAWN	09/07/90
2	P/No. ERROR	08/09/98
3	WAS FC6913	05/10/99
4	BORDER+UPDATE	03/02/17

RoHS
COMPLIANT

TOLERANCE
 NO DEC. PLACE ± 0.50
 1 DEC. PLACE ± 0.20
 2 DEC. PLACE ± 0.10
 HOLE Ø ± 0.10
 ANGLES ± 1/2°
 UNLESS OTHERWISE STATED

DO NOT SCALE

Cliff Electronic Components Ltd.

76 Holmetherpe Avenue, Holmetherpe Industrial Estate,
 Redhill, Surrey, RH1 2PF, England, UK
 Tel: 01737-771375 Fax: 01737-766012 Website: www.cliffuk.co.uk

DIMENSIONS IN MILLIMETERS UNLESS OTHERWISE STATED. WORK TO DIMENSIONS. REMOVE ALL BURRS. IF IN DOUBT ASK.

3rd ANGLE PROJECTION:

MATERIAL: ABS / BRASS
 FINISH: AS MOULDED / Ni / Ag PLATED

TITLE: 3.5mm MONO PC JACK SOCKET JY036A

THE CONTENTS OF THIS DOCUMENT MUST NOT BE COPIED OR DISCLOSED TO A 3rd PARTY WITHOUT WRITTEN PERMISSION OF CLIFF UK. © 1990

DRAWN: C.A.M.J. APPROVED: R.W.T.

DRWG. No. **FC68130**

FORM: A4DRWGH