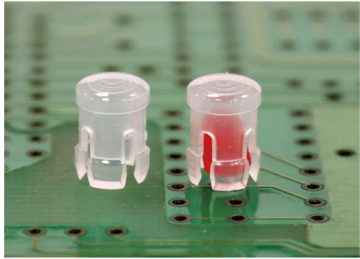


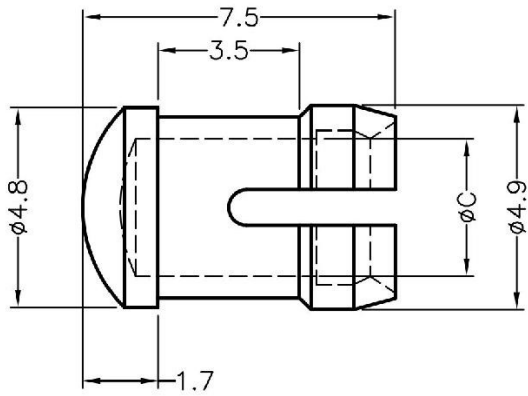
FIX-LC3-1



MATERIAL:PC(UL)
 FLAME CLASS:94V-2
 COLOR:TRANSPARENT
 UNIT:mm



CHASSIS $\phi 4.4$
 THICKNESS 1.57~3.2



PART NO	C
FIX-LC3-1	$\phi 3.3$