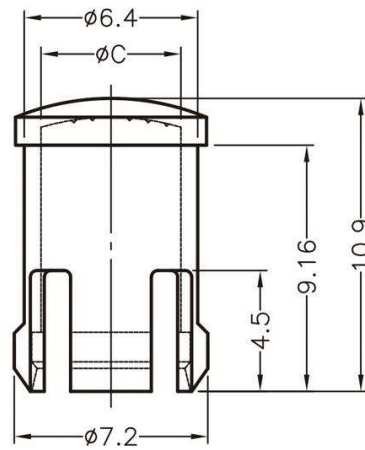




## FIX-LC5-5

MATERIAL:PC(UL)  
 FLAME CLASS:94V-2  
 COLOR:TRANSPARENT  
 UNIT:mm



CHASSIS  $\phi 6.4 \sim 6.45$   
 THICKNESS 0.8~6.35

PART NO	C
FIX-LC5-5	$\phi 5$