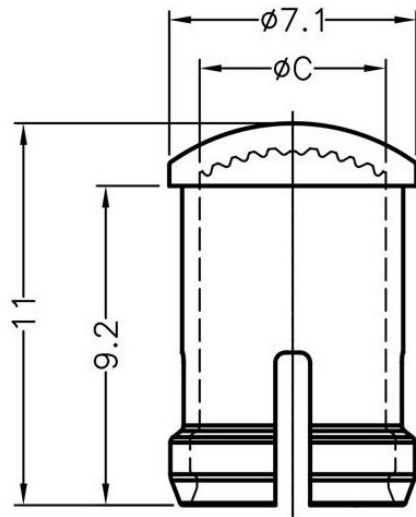




## FIX-LC5-6V0

MATERIAL:PC(UL)  
 FLAME CLASS:94V-0  
 COLOR:TRANSPARENT  
 UNIT:mm



CHASSIS  $\phi 6.4 \sim 6.45$   
 THICKNESS  $0.8 \sim 6.35$

PART NO	C
FIX-LC5-6V0	$\phi 5$