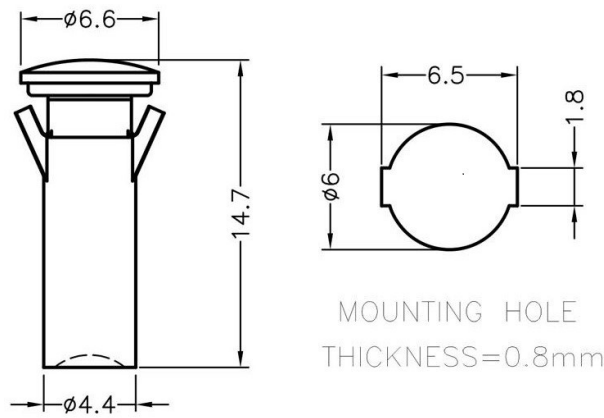




FIX-LEM-54

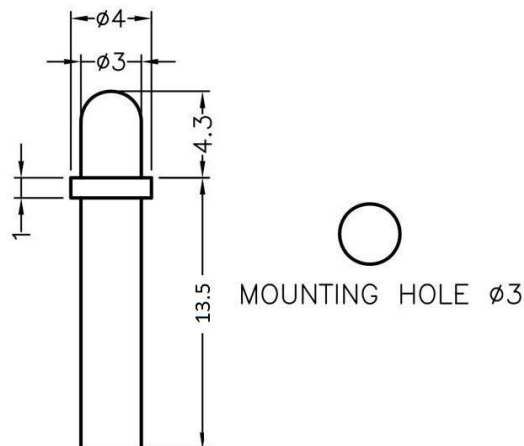
MATERIAL:PC(UL)
 FLAME CLASS:94V-2
 COLOR:TRANSPARENT
 UNIT:mm



FIX-LEM-5



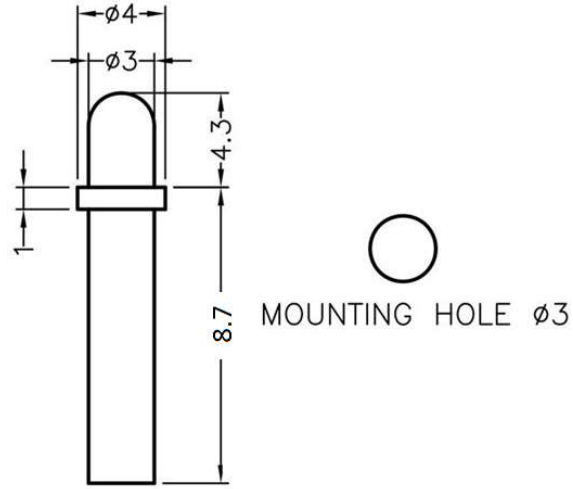
MATERIAL:PC(UL)
 FLAME CLASS:94V-2
 COLOR:TRANSPARENT
 UNIT:mm





FIX-LEM-93

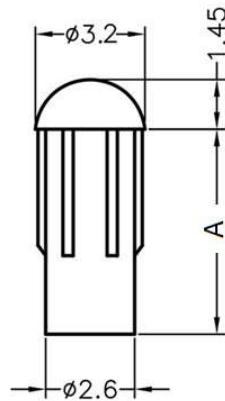
MATERIAL:PC(UL)
 FLAME CLASS:94V-2
 COLOR:TRANSPARENT
 UNIT:mm



FIX-LEM-67



MATERIAL:PC(UL)
 FLAME CLASS:94V-2
 COLOR:TRANSPARENT
 UNIT:mm



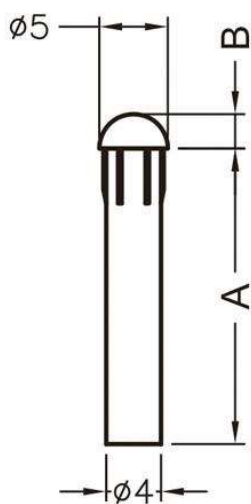
MOUNTING HOLE $\phi 3.0$

PART NO	A
FIX-LEM-67	6
FIX-LEM-67-13	13
FIX-LEM-67-27.5	27,5

FIX-LEM



MATERIAL:PC(UL)
 FLAME CLASS:94V-2
 COLOR:TRANSPARENT
 UNIT:mm



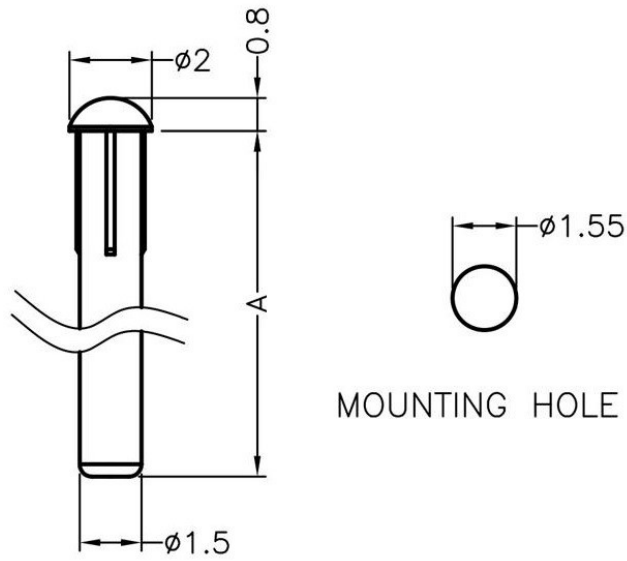
MOUNTING HOLE ϕD

PART NO	A	B	D
FIX-LEM-53	21,5	2,5	4,3
FIX-LEM-191	43,5	2,5	4,3
FIX-LEM-198	30	2,5	4,3
FIX-LEM-202	54	2,5	4,3
FIX-LEM-203	8,5	2,4	4,2
FIX-LEM-53-8.5	8,5	2,5	4,2
FIX-LEM-53-16.5	16,5	2,5	4,2
FIX-LEM-191-37.5	37,5	2,5	4,3

FIX-LEM



MATERIAL:PC(UL)
FLAME CLASS: 94V-2 ; 94V-0
COLOR:TRANSPARENT
UNIT:mm

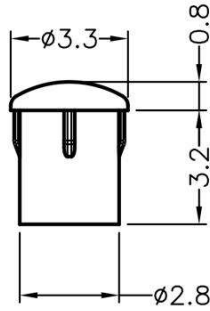


PART NO	A
FIX-LEM-132	20
FIX-LEM-141V0	21,8
FIX-LEM-193	29,2
FIX-LEM-199	10,1

FIX-LEM-144



MATERIAL:PC(UL)
FLAME CLASS: 94V-2
COLOR:TRANSPARENT
UNIT:mm

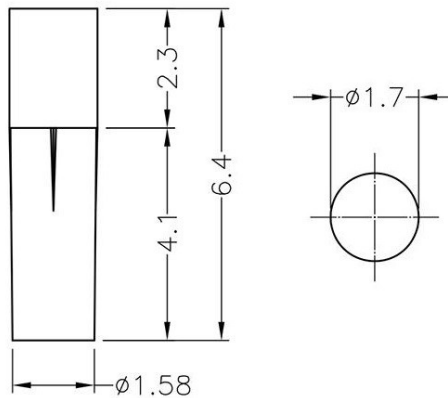


MOUNTING HOLE $\phi 3.0$

FIX-LEM-185



MATERIAL:PC(UL)
FLAME CLASS: 94V-2
COLOR:TRANSPARENT
UNIT:mm

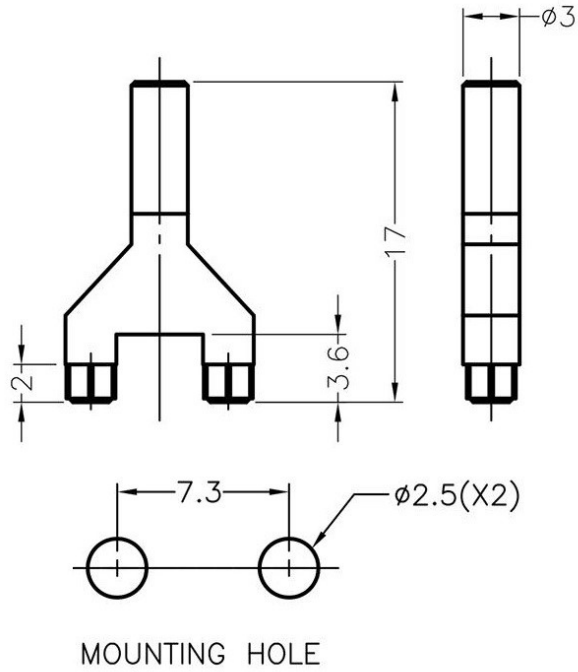


MOUNTING HOLE: $\phi 1.6$

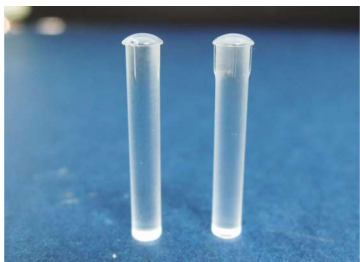
FIX-LEM-180



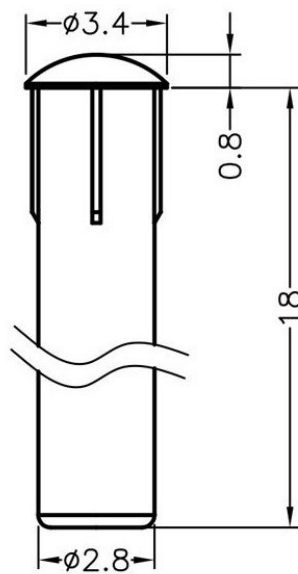
MATERIAL:PC(UL)
FLAME CLASS: 94V-2
COLOR:TRANSPARENT
UNIT:mm



FIX-LEM-87



MATERIAL:PC(UL)
FLAME CLASS: 94V-2
COLOR:TRANSPARENT
UNIT:mm

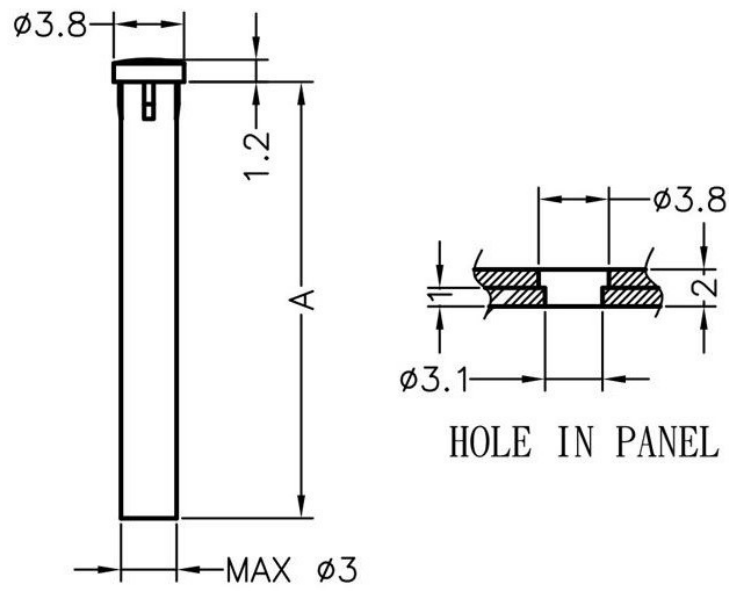


HOLE IN THICKNESS $\phi 3.0$

FIX-LEM



MATERIAL:PC(UL)
FLAME CLASS: 94V-2
COLOR:TRANSPARENT
UNIT:mm

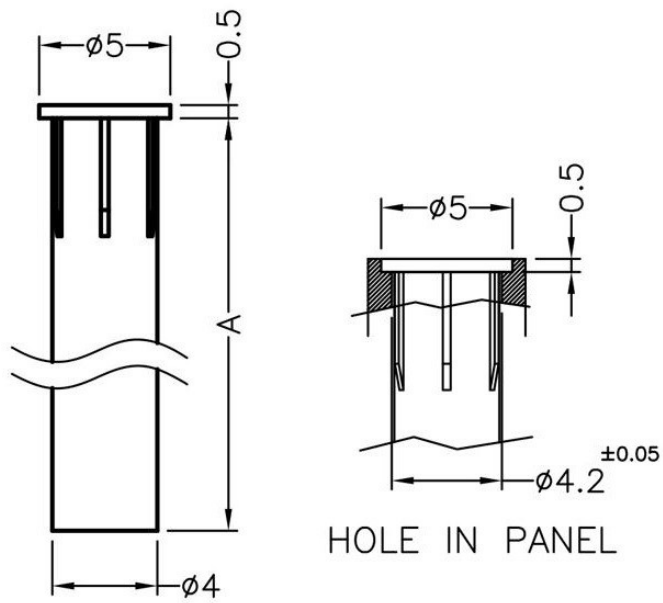


PART NO	A
FIX-LEM-90	23,6
FIX-LEM-91	8
FIX-LEM-192	25,8

FIX-LEM



MATERIAL:PC(UL)
FLAME CLASS: 94V-2
COLOR:TRANSPARENT
UNIT:mm

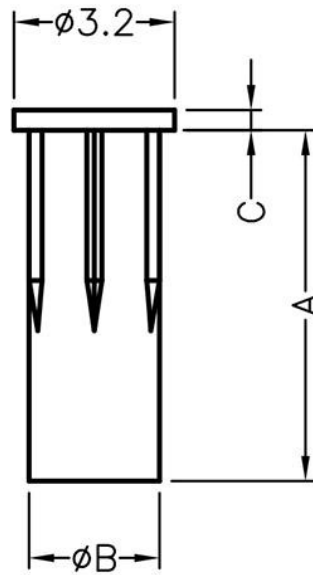


PART NO	A
FIX-LEM-97	21
FIX-LEM-97S	8,5
FIX-LEM-98	28

FIX-LEM



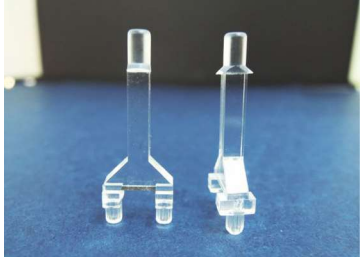
MATERIAL:PC(UL)
 FLAME CLASS: 94V-2 ; 94V-0
 COLOR:TRANSPARENT
 UNIT:mm



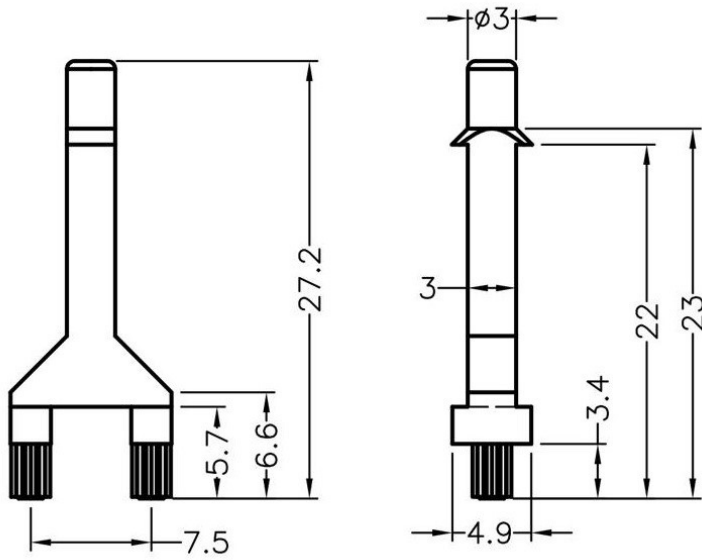
MOUNTING HOLE ϕD

PART NO	A	B	C	D
FIX-LEM-135	7	2,6	0,4	3
FIX-LEM-189V0	25	2,6	0,4	3
FIX-LEM-167	10	2,5	0,45	2,8

FIX-LEM-69



MATERIAL:PC(UL)
FLAME CLASS: 94V-2
COLOR:TRANSPARENT
UNIT:mm



FIX
Fasten