

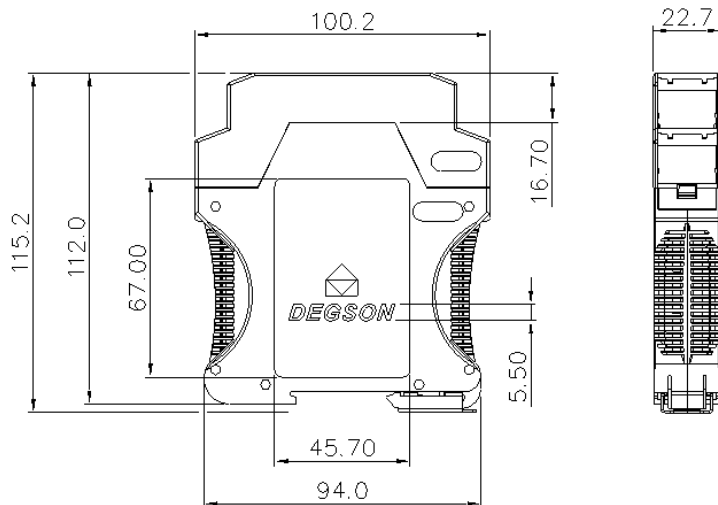


DEGSON ELECTRONICS CO., LTD.

Product Specification



FMET-02P
FMET-03P FMET-04P
FMET-06P FMET-08P



APPROVAL	CE	
Electrical		
Standard	UL	IEC
Rated voltage	300V	320V
Rated current	15A	20A
Wire range	28-12AWG	2.5mm ²
Withstanding voltage	AC4000V/1Min	
Mechanical		
Torque	0.4Nm(3.5Lb-In)	
Ambient temperature	-40 °C~+105 °C	
Strip length	7mm	
Dimensions		
Width	12.7mm(.500") 17.7mm(.696") 22.7mm(.893") 35.4mm(1.393") 45.2mm(1.779")	
Poles	2P,3P,4P,6P,8P	
Material		
Housing	PA66,UL94V-0	
Screws	M2.5, Steel,Cr3+ Zn plated	
Contact	Phosphor bronze	
Cage	Brass, Ni plated	

HOW TO ORDER :

- **P** - -

X	X	X
---	---	---

Customer Request

Series number **No. of pole** **Color**

1	Single pitch
2	Double pitch

1	Grey	4	Green	7	Trans Parent
2	Blue	5	Orange	8	Yellow
3	Black	6	Red	9	White

 mm (INCH)	 DEGSON ELECTRONICS CO., LTD.
 THIROANGLE PROJECTION	NAME FMET-02P FMET-03P FMET-04P FMET-06P FMET-08P