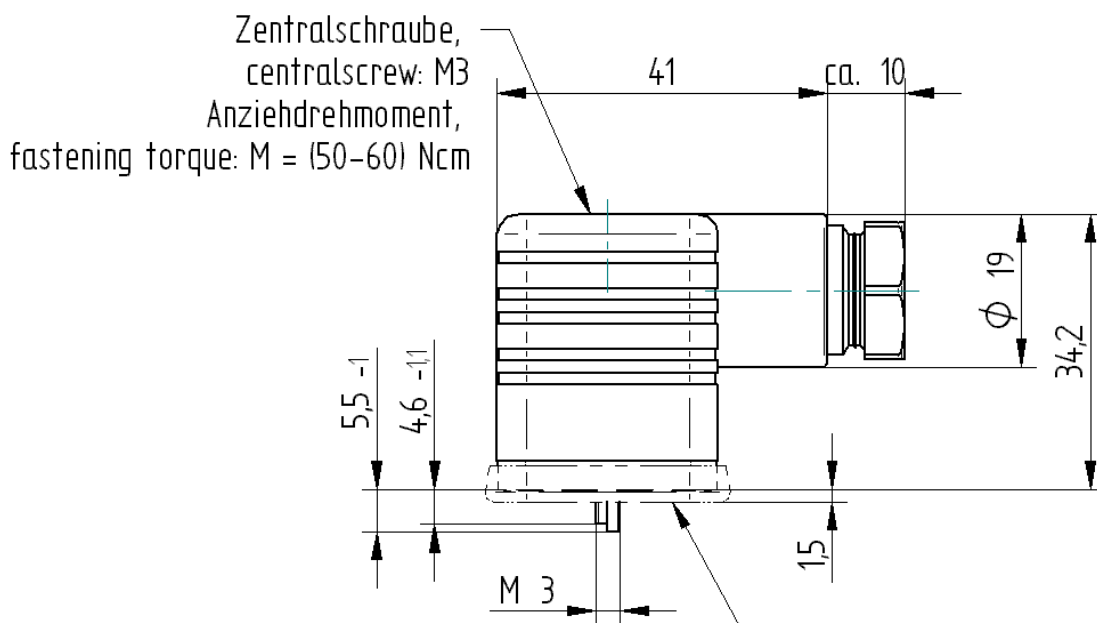
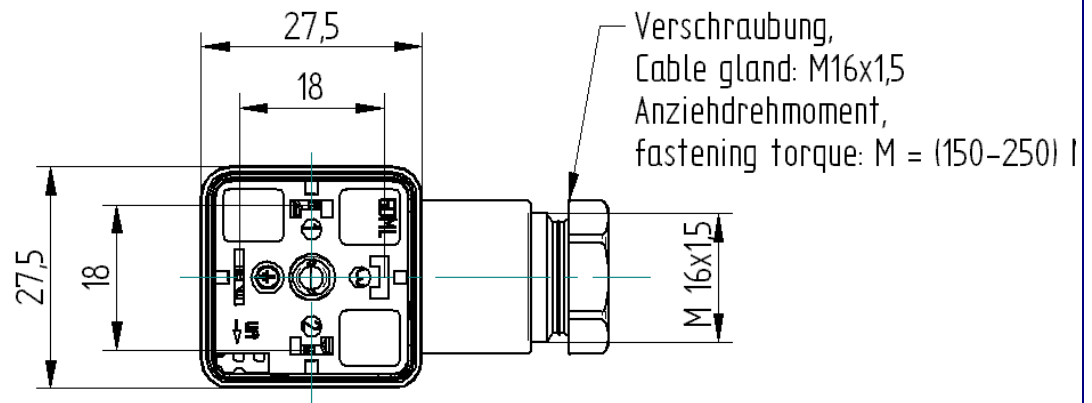
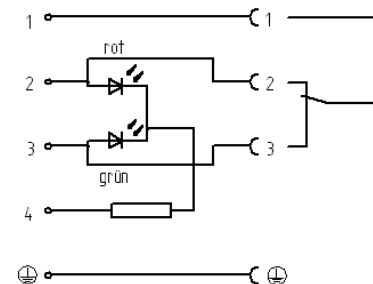


RoHS ✓

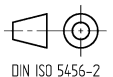


Dichtung wird gesondert geliefert  
Gasket to order separate

- 1) In montiertem Zustand, Dichlippe gepresst.  
When mounted, sealing lip pressed.
- 2) Im Lieferzustand, Dichlippe nicht gepresst.  
In delivery condition, sealing lip not pressed.



The information/details in this datasheet merely contain general descriptions or performance factors which, when applied in an actual situation, do not always correspond with the described form, and may be amended by way of the further development of products. The desired performance factors shall only be binding if these are expressly agreed on conclusion of the contract.



**Product description**

Description	Cable socket angled
Type	GDML 3016 LED 24 RG
Order No	934-433-002
Type of contacts	female
Number of contacts	3+PE
Cable gland	M16x1,5, color see standard products
Conductor size	max. 1,5 mm <sup>2</sup>
Standard	DIN EN 175301-803-A
Color housing	semi-transparent

**Description of wiring**

Function indicator	LED red, current drain < 20 mA LED green, current drain < 20 mA
--------------------	--

**Technical data**

Clearance / Creepage distance	DIN EN 60664-1 (2008/01); VDE 0110-1
Rated voltage	30V AC/DC**
Rated current *	8A
Pollution degree	3 acc. to DIN EN 60664-1 (VDE 0110-1)
Type of connection	screw terminal
Mating cycles	max. 50
Suitable cables	Ø4,5 mm to Ø10 mm
Mounting	Central screw M 3

\* Notice derating

\*\* notice polarity.

**Materials**

Contact	CuZn
Contact plating	Cu/Sn
Contact bearer	PA 6 GF
Housing	PA 6 GF
Cable gland screw	PA 6 GF
Central screw	4.8 , Fe/Zn B
Gasket(s)	NBR

**Environmental conditions**

Protection class (IEC 60529) *	IP65
Temperature range	-40°C to +90°C, notice derating**

\*\* only if mounted and locked in combination with Hirschmann / Lumberg connector.

\*\* Notice Temp.-range of gasket.

**Flammability class**

Housing	UL 94 HB
Contact bearer	UL 94 HB

**Accessories**

Accessories to order separately

Gasket:

730-801-002, NBR, Temp. range: -30°C to +90°C, flat gasket GDM 3-7, brown

731-739-004, EPDM, Temp. range: -40°C to +125°C, flat gasket GDM 3-21, brown

731-740-002, MPQ, Temp. range: -40°C to +125°C, flat gasket GDM 3-17, red

731-531-002, NBR, Temp. range: -30°C to +90°C, profiled gasket GDM 3-16, black

731-532-002, VMQ, Temp. range: -40°C to +125°C, profiled gasket GDM 3-17, red

central screw:

732-488-002, knurled head (grey)

734-363-001, stainless steel screw

**Additional technical data**

Fastening torque (central screw)

M 3: (50-60) Ncm

Fastening torque (cable gland)

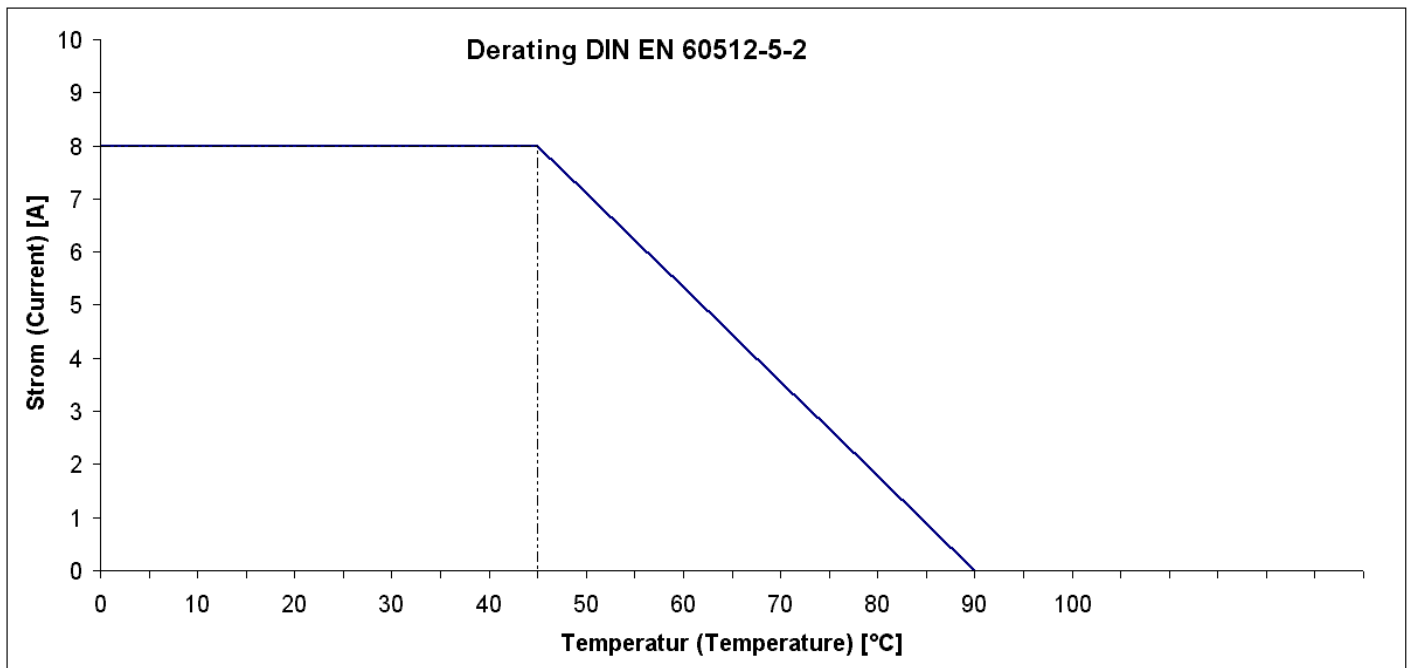
M 16x1,5: (250-375) Ncm

Fastening torque (contact screw)

M 3: (40-50) Ncm

**Notes**

Do not connect or disconnect under load.



product overview

Article-No.	Type	Cable gland screw	Housing
934-433-002	GDML 3016 LED 24 RG	schwarz / black	B 12