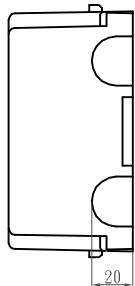
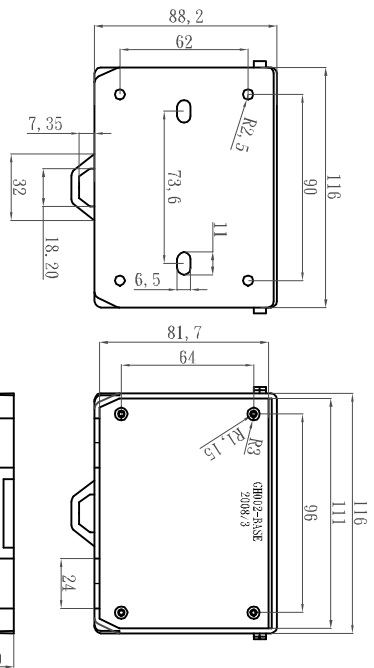
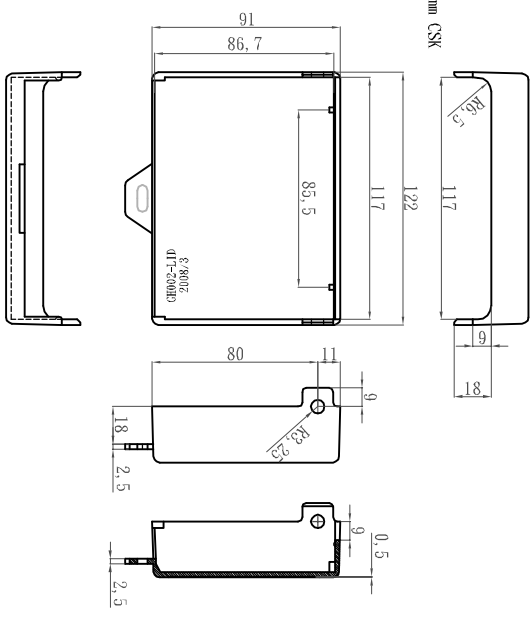
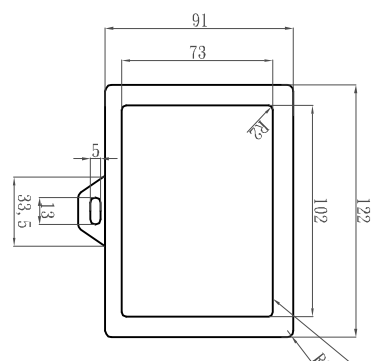
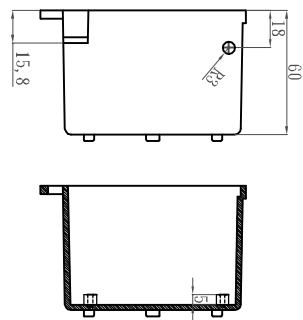


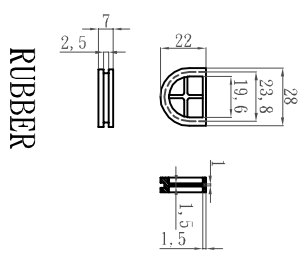
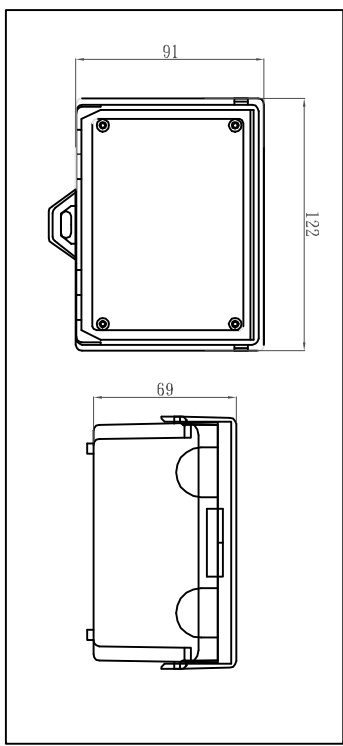
GH002(G); GH002(B)



BASE



LID



RUBBER

宣又實業有限公司 GAINTA INDUSTRIES LTD.		DES'D BY	DRA'D BY	CHK'D BY	SCALE	DATE	MATE.	TITLE:	DWG NO.:	REV	DESCRIPTION
		JACKY				2008/3/10	ABS	GH002(G); GH002(B)		A	