



GN 237-extended

Hinges

Zinc die casting / Stainless Steel, extended, horizontally elongated



Specification

Types

- Type **A**: 2x2 bores for countersunk screws
- Type **C**: 2x2 threaded studs

Version in Zinc die casting **ZD**

Zinc die casting

plastic coated

black, RAL 9005, textured finish **SW**

silver, RAL 9006, textured finish **SR**

Pin, Stainless Steel AISI 303 (A2)

Threaded stud (type C)

Stainless Steel AISI 316

Version in Stainless Steel (only type A) **NI**

- AISI CF-8
- matt shot-blasted **GS**

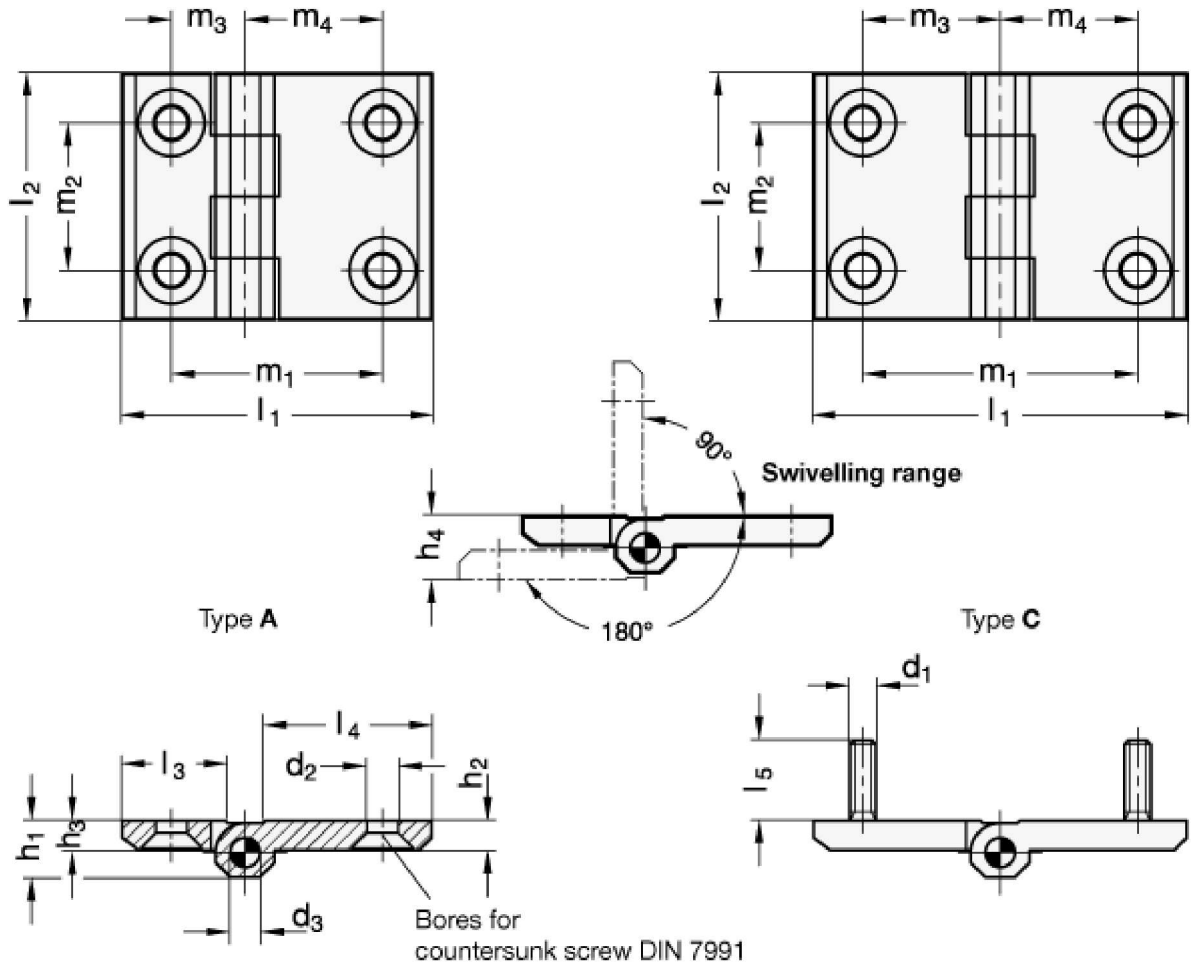
Pin, Stainless Steel AISI 316Ti (A4)

Information

Hinges GN 237 with extended hinge wings are made in a compact and sturdy design. They are used when larger spacings are required for the attachment bore holes.

Technical information

- [Stainless Steel characteristics](#)
- [Load rating information of hinges](#)
- [List of hinges types](#)



- Black (RAL 9005) Black
- Silver (RAL 9006) Silver

GN 237-ZD

Description	l ₁	l ₂	d ₁	d ₂	d ₃	h ₁	h ₂	h ₃	h ₄ +0.5	l ₃	l ₄	l ₅	m ₁	m ₂	m ₃	m ₄	Weight
GN 237-ZD-63-50-A-SW	63	50	-	6.3	6	11.5	6	6.5	13	18.5	31.5	-	43	30	15	28	100
GN 237-ZD-63-50-A-SR	63	50	-	6.3	6	11.5	6	6.5	13	18.5	31.5	-	43	30	15	28	104
GN 237-ZD-63-50-C-SW	63	50	M 6	-	6	11.5	6	6.5	13	18.5	31.5	12	43	30	15	28	119
GN 237-ZD-63-50-C-SR	63	50	M 6	-	6	11.5	6	6.5	13	18.5	31.5	12	43	30	15	28	120
GN 237-ZD-76-50-A-SW	76	50	-	6.3	6	11.5	6	6.5	13	31.5	31.5	-	56	30	28	28	130
GN 237-ZD-76-50-A-SR	76	50	-	6.3	6	11.5	6	6.5	13	31.5	31.5	-	56	30	28	28	122
GN 237-ZD-76-50-C-SW	76	50	M 6	-	6	11.5	6	6.5	13	31.5	31.5	12	56	30	28	28	145
GN 237-ZD-76-50-C-SR	76	50	M 6	-	6	11.5	6	6.5	13	31.5	31.5	12	56	30	28	28	139
GN 237-ZD-90-60-A-SW	90	60	-	8.4	8	15	8	8.5	17	21.5	51.5	-	63	36	18	45	240
GN 237-ZD-90-60-A-SR	90	60	-	8.4	8	15	8	8.5	17	21.5	51.5	-	63	36	18	45	237
GN 237-ZD-90-60-C-SW	90	60	M 8	-	8	15	8	8.5	17	21.5	51.5	14	63	36	18	45	277
GN 237-ZD-90-60-C-SR	90	60	M 8	-	8	15	8	8.5	17	21.5	51.5	14	63	36	18	45	278
GN 237-ZD-120-60-A-SW	120	60	-	8.4	8	15	8	8.5	17	51.5	51.5	-	90	36	45	45	313
GN 237-ZD-120-60-A-SR	120	60	-	8.4	8	15	8	8.5	17	51.5	51.5	-	90	36	45	45	312
GN 237-ZD-120-60-C-SW	120	60	M 8	-	8	15	8	8.5	17	51.5	51.5	14	90	36	45	45	364
GN 237-ZD-120-60-C-SR	120	60	M 8	-	8	15	8	8.5	17	51.5	51.5	14	90	36	45	45	362

GN 237-NI

Description	l ₁	l ₂	d ₂	d ₃	h ₁	h ₂	h ₃	h ₄ +0.5	l ₃	l ₄	m ₁	m ₂	m ₃	m ₄	Weight
GN 237-NI-63-50-A-GS	63	50	6.3	6	11.5	6	6.5	13	18.5	31.5	43	30	15	28	132
GN 237-NI-76-50-A-GS	76	50	6.3	6	11.5	6	6.5	13	31.5	31.5	56	30	28	28	154
GN 237-NI-90-60-A-GS	90	60	8.4	8	15	8	8.5	17	21.5	51.5	63	36	18	45	287
GN 237-NI-120-60-A-GS	120	60	8.4	8	15	8	8.5	17	51.5	51.5	90	36	45	45	369