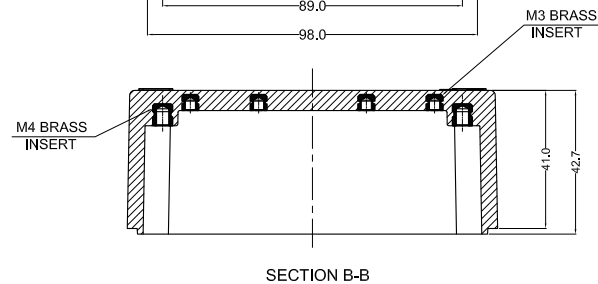
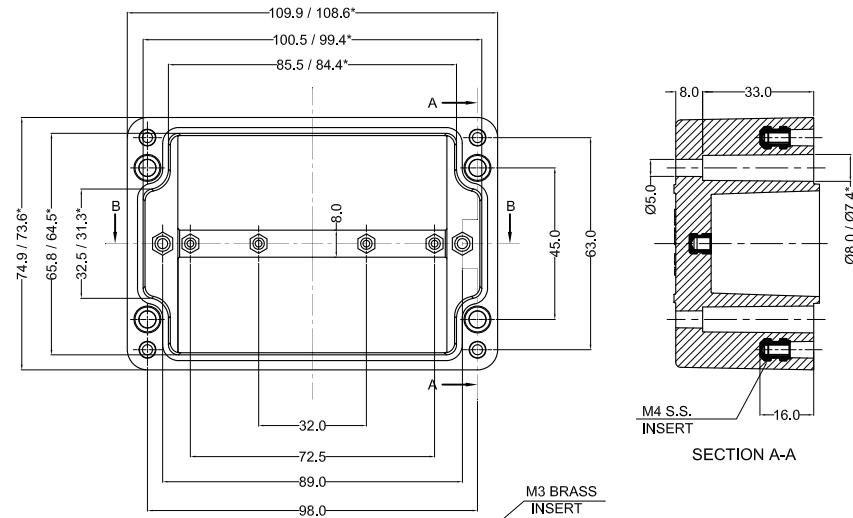
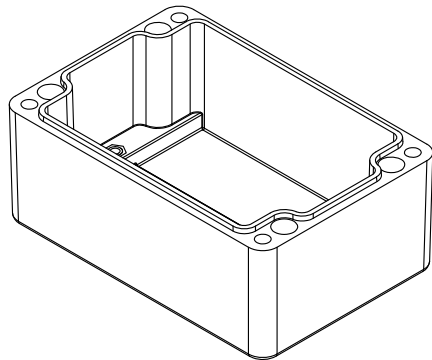
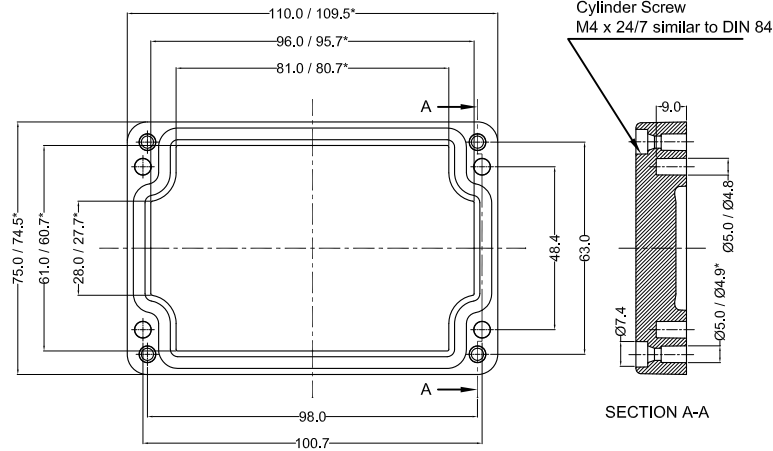
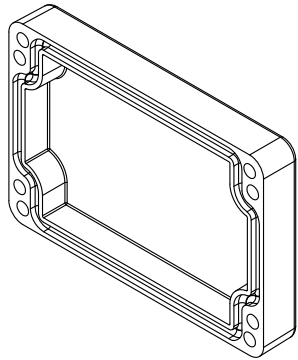


\* = Conical form tapering downward.  
 Untoleranced dimensions per DIN 16901-140

**OPTIONAL ACCESSORIES**

PART NAME	QTY.	AVILABILITY
MOUNTING PLATE	1	Y
EXTERNAL HINGE	-	N
INTERNAL HINGE	-	N
MOUNTING BRACKETS	4	Y
NEOPRENE/EMC/SILICON GASKET	1	Y
DIN RAIL TS15	1	Y
DIN RAIL TS35	-	N

**LID**



**BASE**

3	GJB-1107555-B-03	GRP-30	BLACK RAL9011	02
2	GJB-1107555-B-02	GRP-30	BLACK RAL9011	01
1	GJB-1107555-B-01	GRP-23	GREY RAL7000	
Sr.No.	Drawing no.	RM Grade	Finish	VERSION

NO.	REV.NO.	DESCRIPTION	DATE	DRAWN	CHECKED
QUANTITY	MATERIAL :-	MACH.NAME	DATE	SIGN	NAME
	<b>GRP</b>		08/01/14		<b>RRPL DESIGN</b>
			08/01/14		<b>MANOJ DRAWN</b>
					<b>PAVAN CHECKED</b>
					<b>M.S. APPROVED</b>
TOLERANCE	WEIGHT:	FINISH:	TITLE :-		
±0.2 DIMENSIONS			GRP JUNCTION BOX 110 x 75 x 55		
±0.2 HOLES			Raychem RPG (P) Limited		
±1.0° ANGLES	GRJ 02		SCALE	PARTNO. .	
			Ceat Mahal Annexe, Dr. Annie Besant Road , Worli , Mumbai 400030 Web : www.raychemrpg.com		
			REV		DRG. NO.
			00		<b>GJB-1107555-0</b>

PROPERTY OF RaychemRPG (P) LTD.  
 ALL RIGHTS RESERVED AND/OR PHOTOCOPYING THIS DOCUMENT  
 TO A PERSON WITHOUT RaychemRPG (P) LTD. WRITTEN AUTHORIZATION IS PROHIBITED