

GPS Passive Antenna

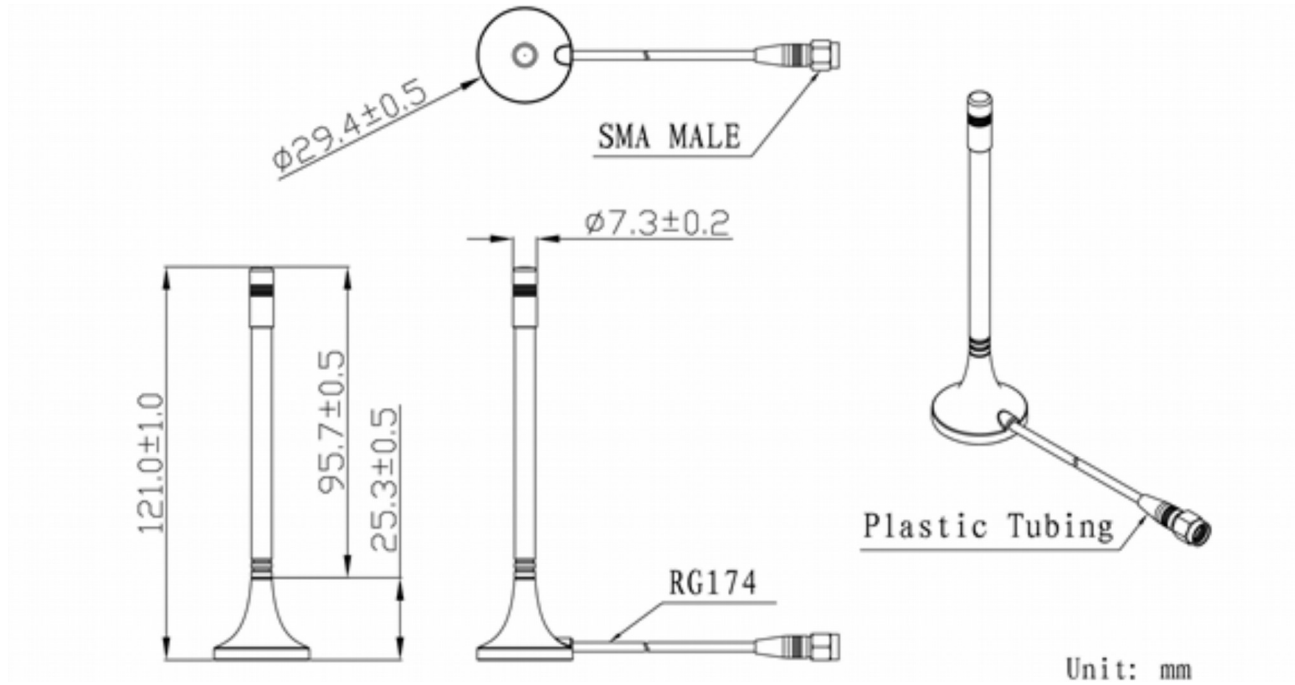
Model : GSM-ANT016

1 Part Number

GSM-ANT016



2 Dimension (Unit : mm)



3 Electrical Characteristics

| Item | Specifications | |
|---------------|--------------------------|--|
| Antenna | Frequency Range | 824~960/1710~2170MHz |
| | Polarization | Linear |
| | Gain | 2.0dBi (Zenith) |
| | V.S.W.R | < 2.0 |
| | Impedance | 50Ω |
| Mechanical | Cable | RG174 |
| | Connector | SMA or others |
| | Mounting Method | Magnet |
| Environmental | Operating Temperature | -40°C~+85°C |
| | Vibration | 10 to 55Hz with 1.5mm amplitude 2hours |
| | Environmentally Friendly | ROHS Compliant |

3.2 Radiation Pattern

