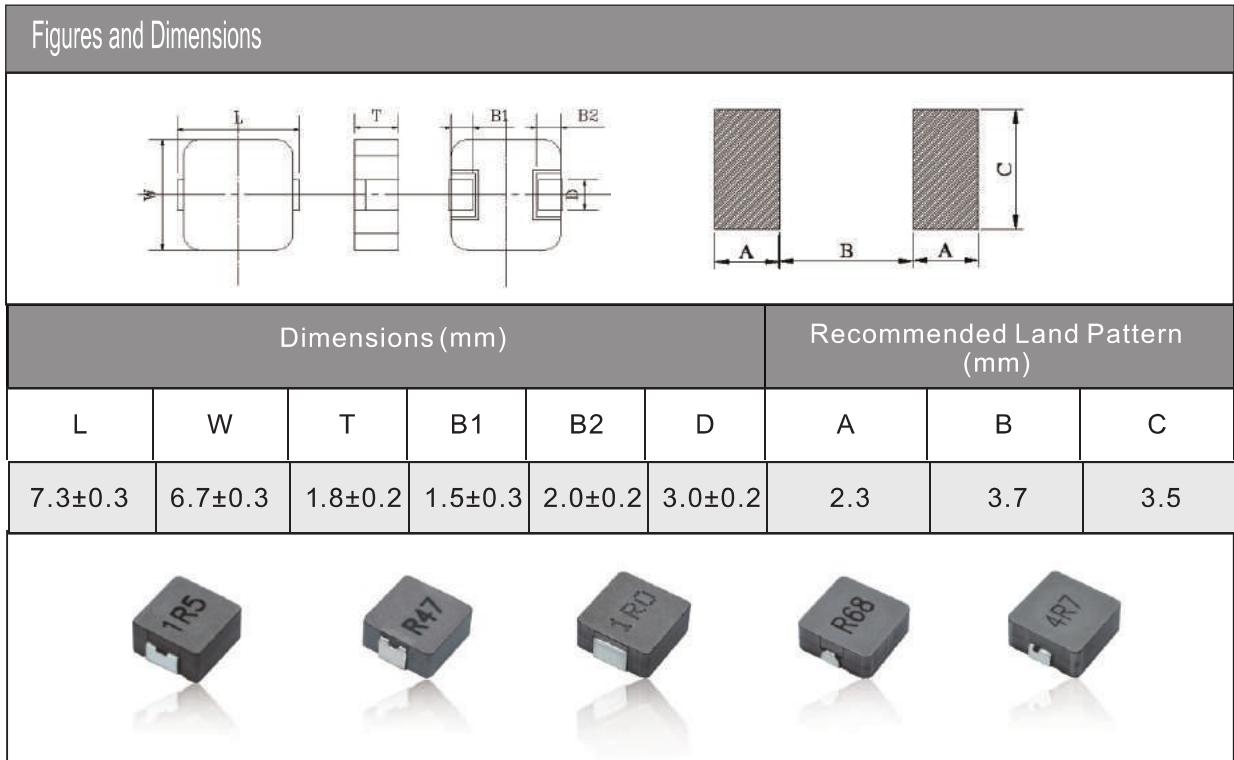


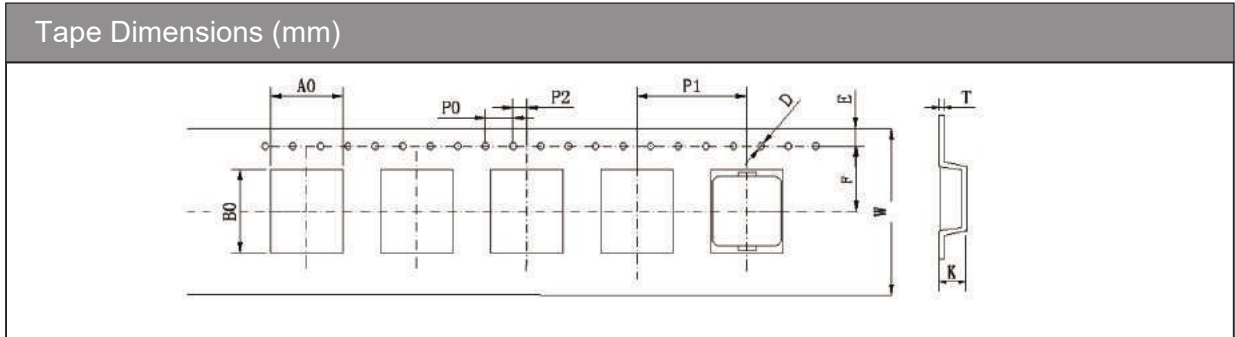
HIGH POWER INDUCTOR



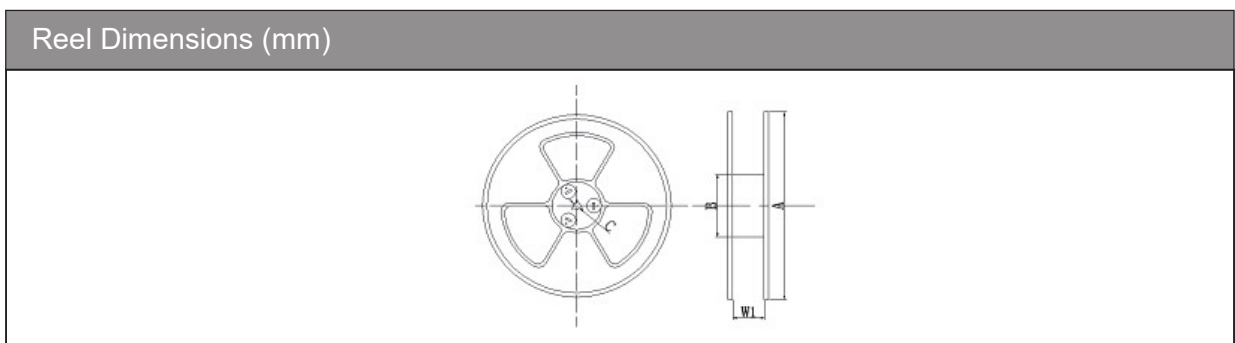
Electrical Characteristics

Part number	Inductance (μH)@0A	Tolerance	Resistance (mΩ) ±7%	Saturation current Typ.(A)	Heat rating current Typ.(A)
HPI0620-1R0	1.00	±20%	18	9.0	7.0
HPI0620-1R5	1.50	±20%	24	6.5	5.5
HPI0620-2R2	2.20	±20%	37	5.5	4.5
HPI0620-3R3	3.30	±20%	50	4.3	3.5
HPI0620-4R7	4.70	±20%	70	4.0	3.0
HPI0620-6R8	6.80	±20%	115	2.8	2.3

Package



	A0	B0	W	F	E	P1	P2	P0	D	T	K
06 Series	±0.1	±0.1	±0.3	±0.1	±0.1	±0.1	±0.1	±0.1	±0.05	±0.05	±0.1
	7.0	7.8	16	7.5	1.75	12	2.0	4.0	1.5	0.4	H+0.2



	A	B	C	W1	Quality(pcs/Reel)
06 Series	330	100	13.0	16.0	1000