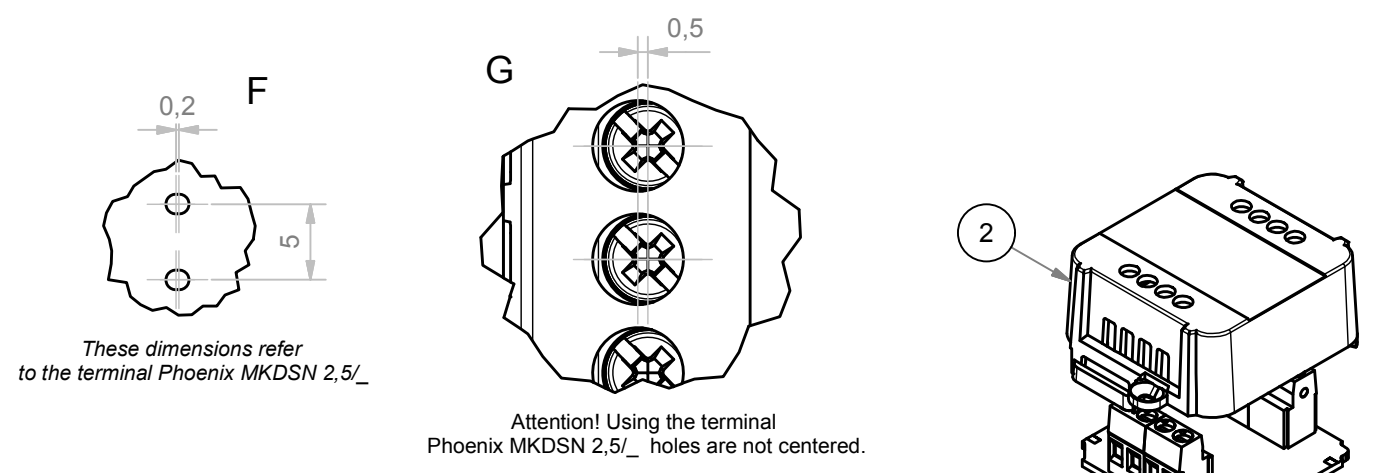
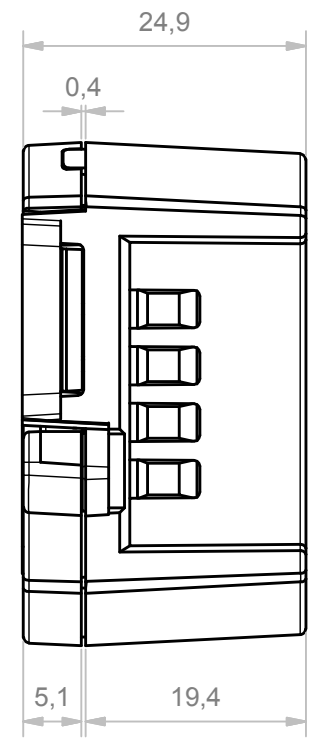
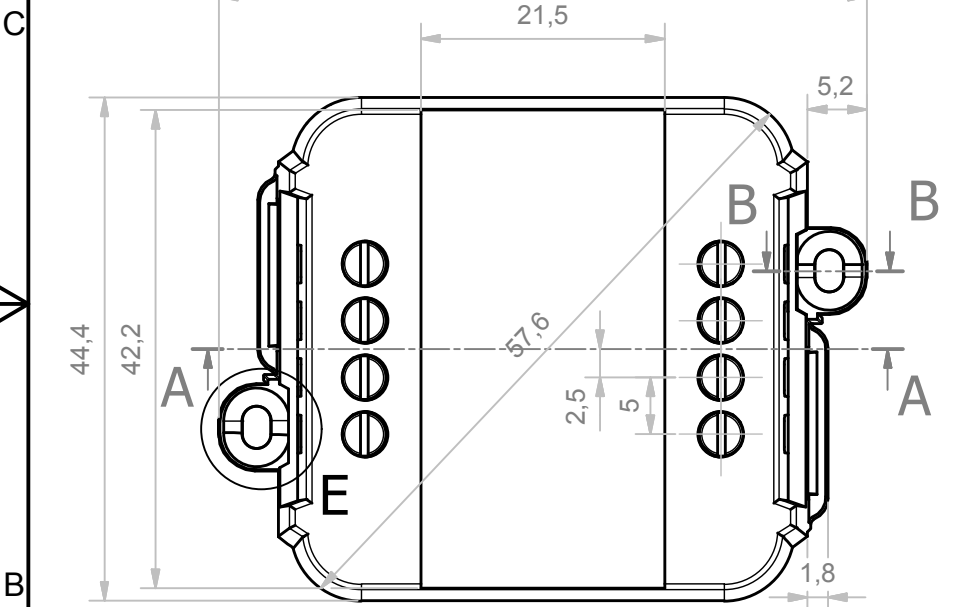
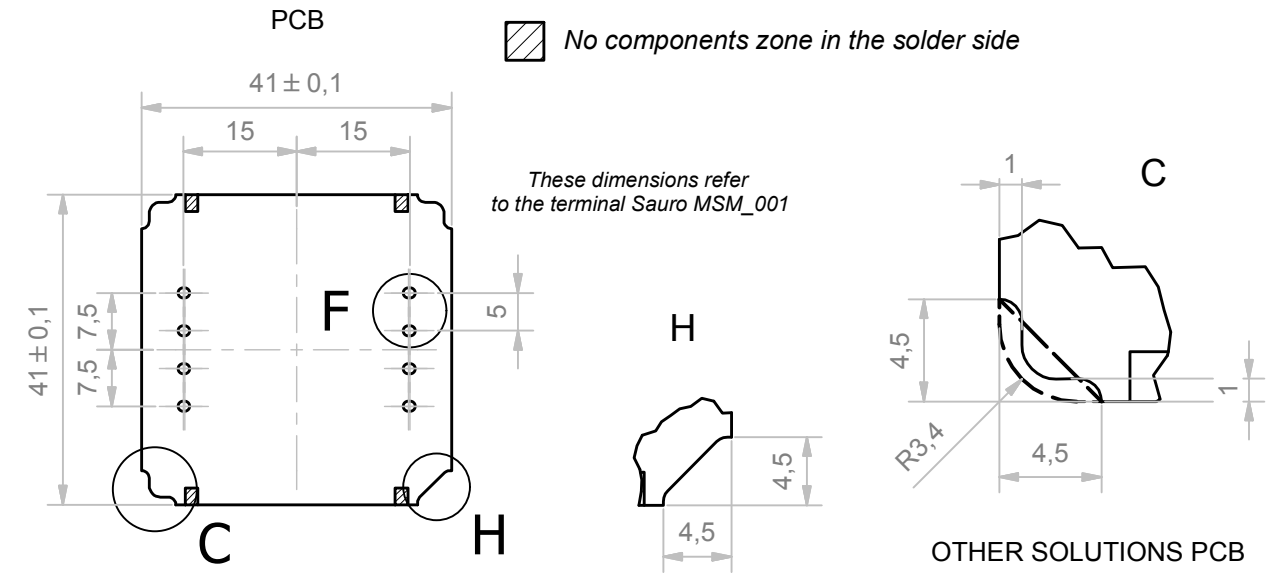
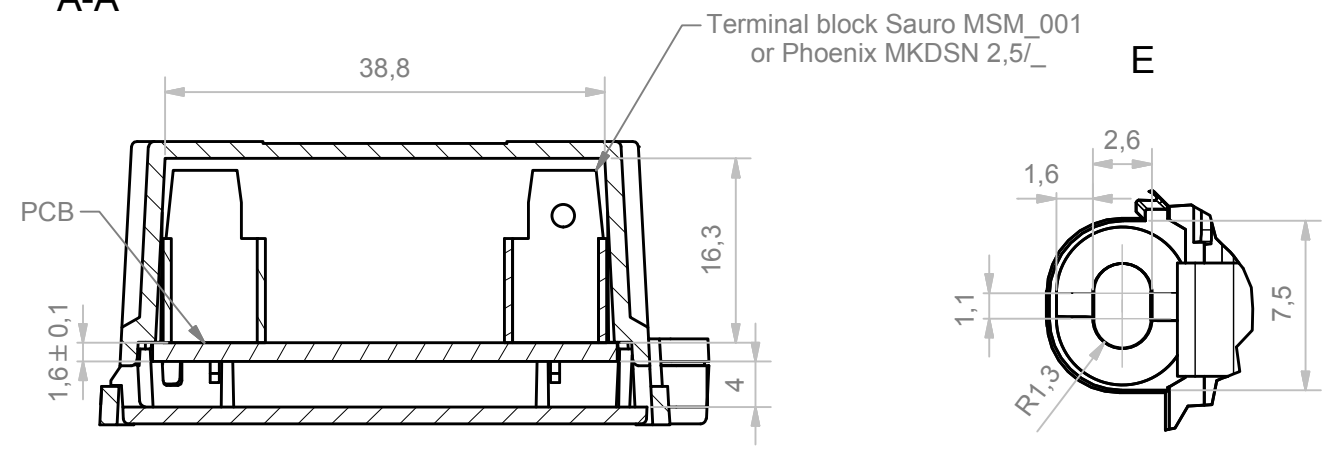


6 | 5 | 4 | 3 | 2 | 1

A-A

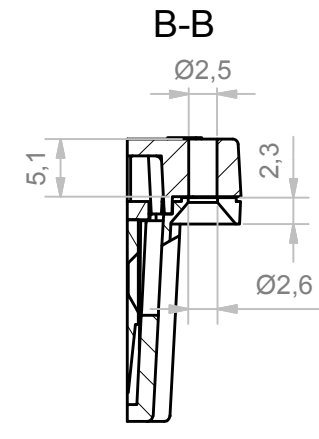


Attenzione! I fori dei circuiti per i morsetti sono a livello illustrativo.
 Attention! The holes of the circuits for the terminals are at the level leaflet.

COMPONENTS LIST				
RIF.	Q.TY	DESCRIPTION	CODE	
1	1	BASE CBOX EURO INT NEW VERSION	C-05899	
2	1	COVER CBOX EURO INT H25 NEW VERSION	C-05900	
Da 0,5 a 3		Oltre 3 fino a 6	Oltre 6 fino a 30	Oltre 30 fino a 120
± 0,1		± 0,1	± 0,2	± 0,3
				± 0,5

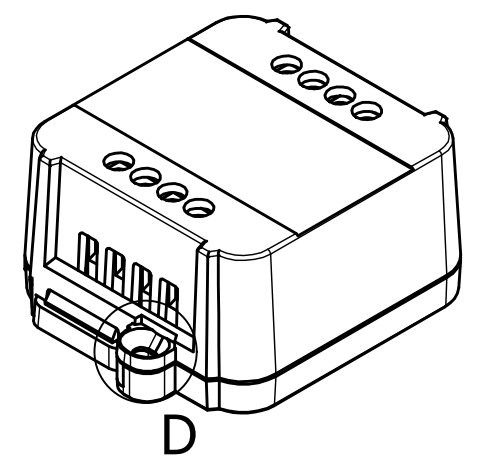
RESERVED PROPERTY The present drawing cannot be reproduced or communicated to 3d parties, even partially, without the authorization of ITALTRONIC Srl. Italtronic reserves to protect its own rights according to the law.	Dimension in mm	SHEET NR. 1 / 1	DRAWING BY GAD Manual modification are not allowed	GENERAL TOLERANCE UNI EN 22768/1 Media (m)
		Date: 12/03/2015	Replace nr.	Revision description
Drawn: Rigato N.	Checked: Dalla Montà D.	Scale:		

5 4 3 2 1



Self-tapping screws countersunk head
d2.9x6.5 mm

Screws for pressed wood or chipboard
d2.5 mm for dowel fixing to wall



Denomination:
CBOX EURO INT H25 NEW VERSION

Plastic+
UN PARTNER PER IL FUTURO Group

ITALTRONIC S.R.L.
VIA AUSTRIA 25/D 35127
PADOVA - ITALY
www.italtronic.com

Drawing nr.
C-05897-01

6 | 5 | 4 | 3 | 2 | 1

Aggiornato viste. 28/05/15 Rigato N.