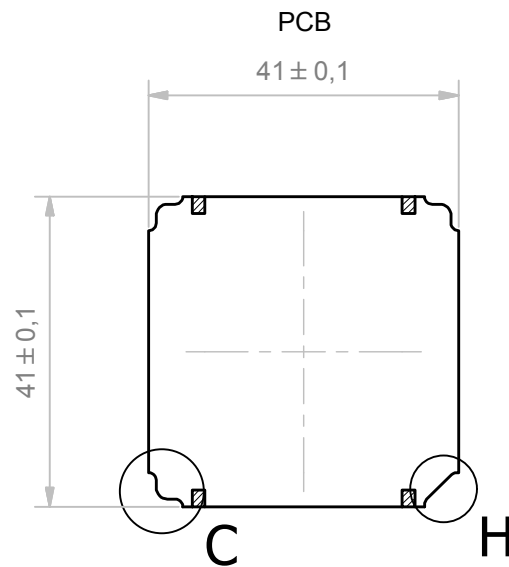
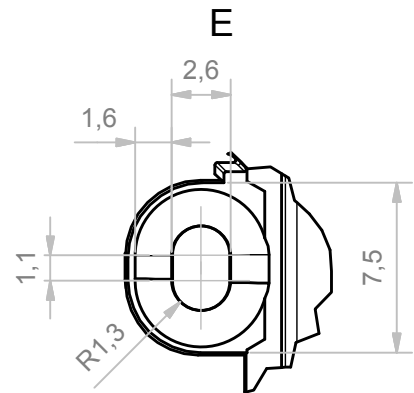
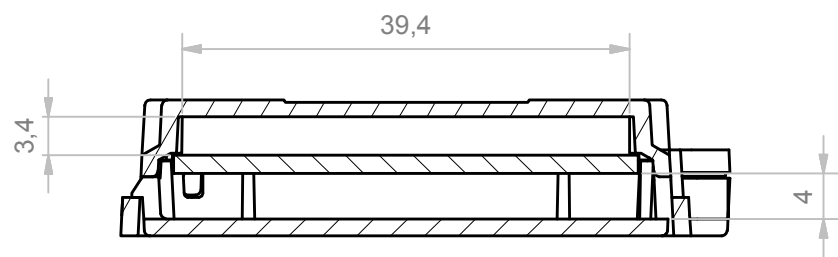
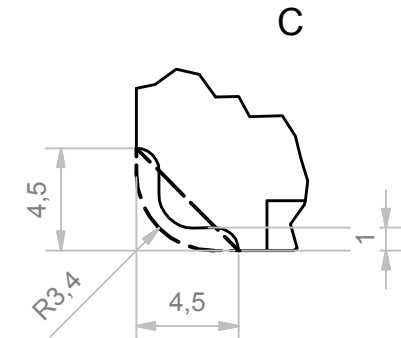
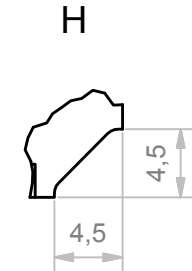


6 | 5 | 4 | 3 | 2 | 1

A-A

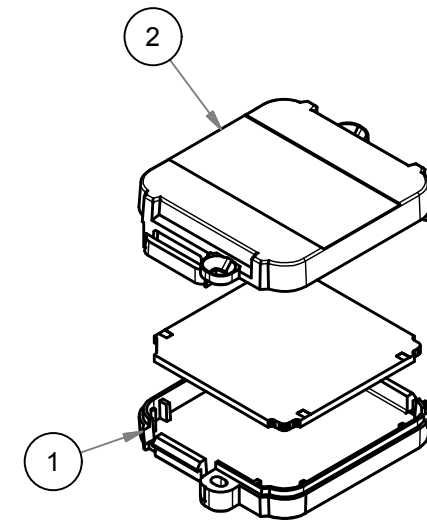
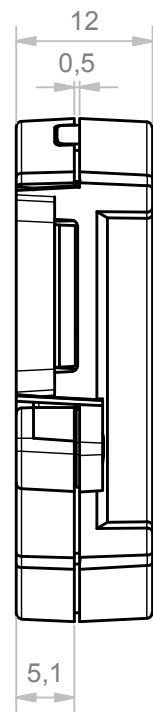
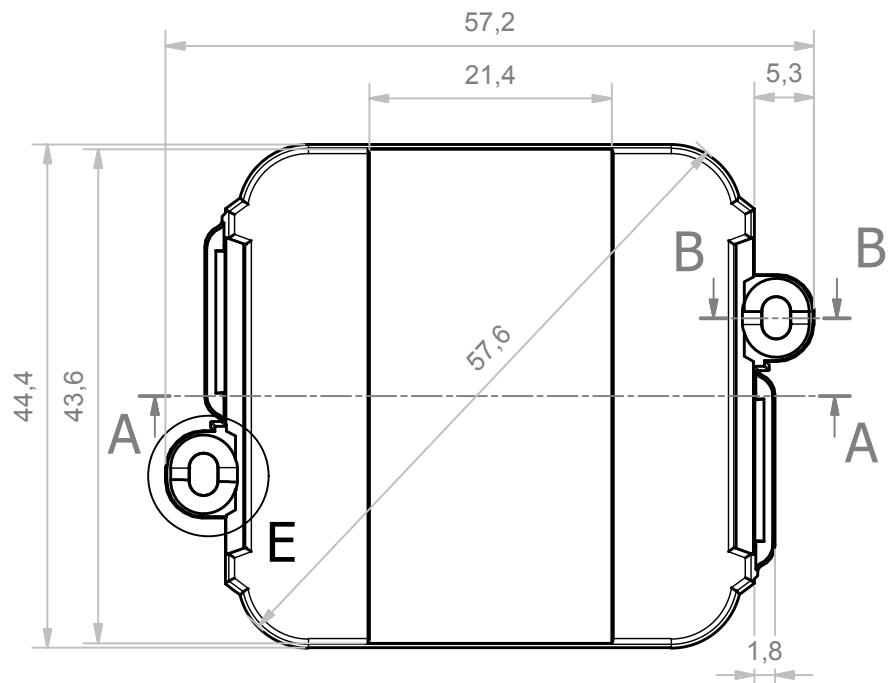


No components zone in the solder side

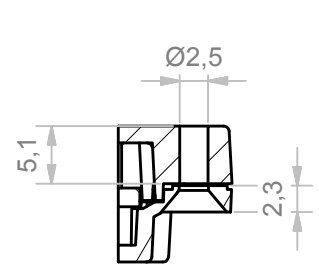


OTHER SOLUTIONS PCB

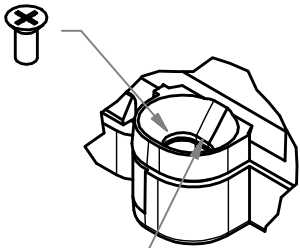
Preliminary



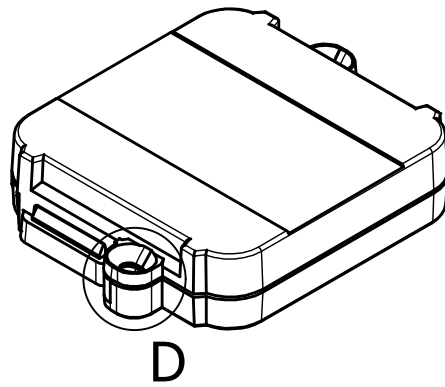
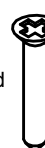
B-B



Self-tapping screws countersunk head d2.9x6.5 mm



Screws for pressed wood or chipboard d2.5 mm for dowel fixing to wall



Attenzione! I fori dei circuiti per i morsetti sono a livello illustrativo.  
Attention! The holes of the circuits for the terminals are at the level leaflet.

| COMPONENTS LIST |      |                                     |                   |                     |
|-----------------|------|-------------------------------------|-------------------|---------------------|
| RIF.            | Q.TY | DESCRIPTION                         | CODE              |                     |
| 1               | 1    | BASE CBOX EURO INT NEW VERSION      | C-05899           |                     |
| 2               | 1    | COVER CBOX EURO INT H12 NEW VERSION | C-06246           |                     |
| Da 0,5 a 3      |      | Oltre 3 fino a 6                    | Oltre 6 fino a 30 | Oltre 30 fino a 120 |
| ± 0,1           |      | ± 0,1                               | ± 0,2             | ± 0,3               |
|                 |      |                                     |                   | ± 0,5               |

|   |                            |                     |   |   |
|---|----------------------------|---------------------|---|---|
| RESERVED PROPERTY<br>The present drawing cannot be reproduced or communicated to 3d parties, even partially, without the authorization of ITALTRONIC Srl. Italtronic reserves to protect its own rights according to the law. | Dimension in mm            | SHEET NR.<br>1 / 1  | DRAWING BY<br>Manual modification are not allowed | GENERAL TOLERANCE<br><b>UNI EN 22768/1</b><br>Media (m) |
|   |                            | Date:<br>09/09/2015 | Replace nr.                                       | Revision description                                    |
| Drawn:<br>Rigato N.   | Checked:<br>Dalla Montà D. | Scale:              |   |   |

Denomination:  
**CBOX EURO INT H12 NEW VERSION**

UN PARTNER PER IL FUTURO

**ITALTRONIC S.R.L.**  
VIA AUSTRIA 25/D 35127  
PADOVA - ITALY  
www.italtronic.com

Drawing nr.  
**C-06244-00**

Aggiornato viste. 28/05/15 Rigato N.

6 | 5 | 4 | 3 | 2 | 1