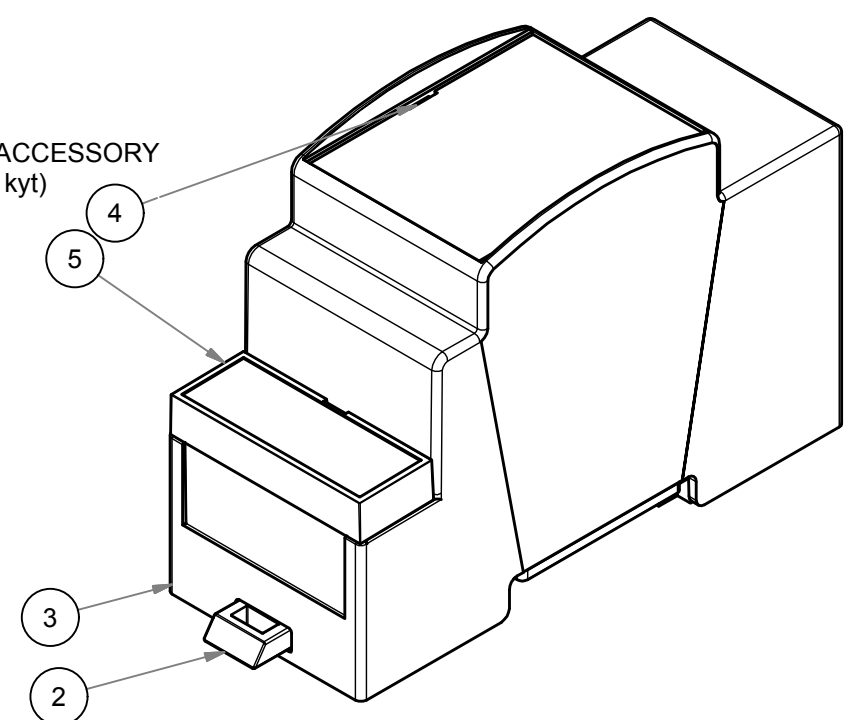


PCB "B" POSITION
(NOT SUPPLIED)

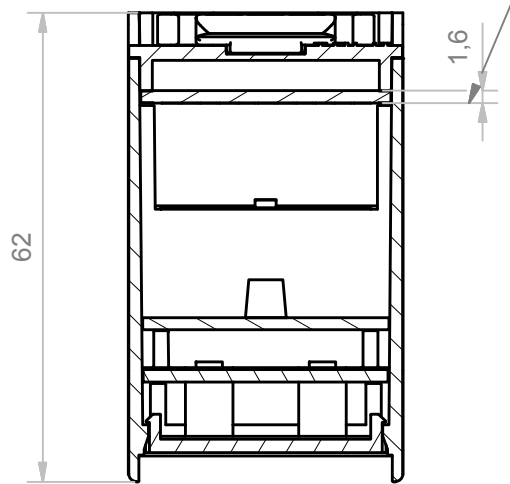
PCB "C" POSITION
(NOT SUPPLIED)

EXAMPLE OF ACCESSORY
(not included in kyt)

EXAMPLE OF ACCESSORY
(not included in kyt)



B-B (1:1)



BOARD THICKNESS TYP.

RIF.	Q.TY	DESCRIPTION	CODE
1	1	BASE 2M XT	M-01983
2	1	HOOK MODULBOX LONG	M-01900-02
3	1	CORPO CONTENITORE MODULBOX XTS 2MH53-B	M-02584-00
4	1	PANNELLO, CON GANCI PPO GRIGIO 2M SENZA CORNICE	M-00381-01
5	2	COPRIMORSETTO SENZA FORI	M-00353-01

RESERVED PROPERTY: The present drawing cannot be reproduced or communicated to 3d parties, even partially, without the authorization of ITALTRONIC Srl. Italtronic reserves to protect its own rights according to the law.				5	4	3	2	1
GENERAL TOLERANCE	UNI EN 22768/1 Media (m)	Drawn:	Checked:	Revision description				
SHEET NR.	Dimension in mm	DRAWING BY	Fanin F.	Dalla Montà D.	Scale: 1 : 1			
1 / 1		 Manual modification are not allowed	Date: 09/06/2016	Replace nr.	Part number:			

Denomination:
CONTENTITORE COMPLETO MODULBOX XTS 2MH53-B
COMPLETE ENCLOSURE MODULBOX XTS 2MH53-B

ITALTRONIC S.R.L.
 VIA AUSTRIA 25/D 35127
 PADOVA - ITALY
 www.italtronic.com

Drawing nr.
M-04058-01