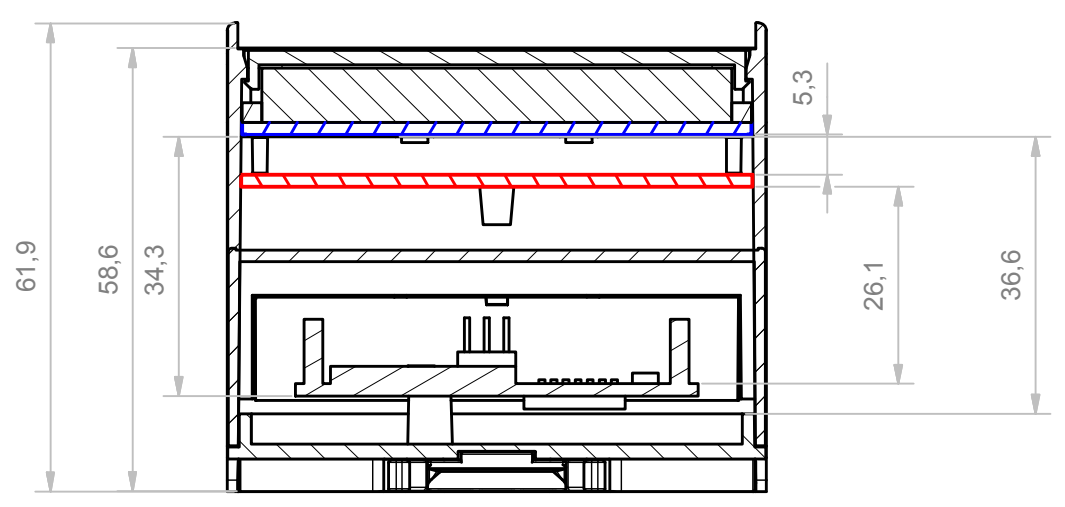
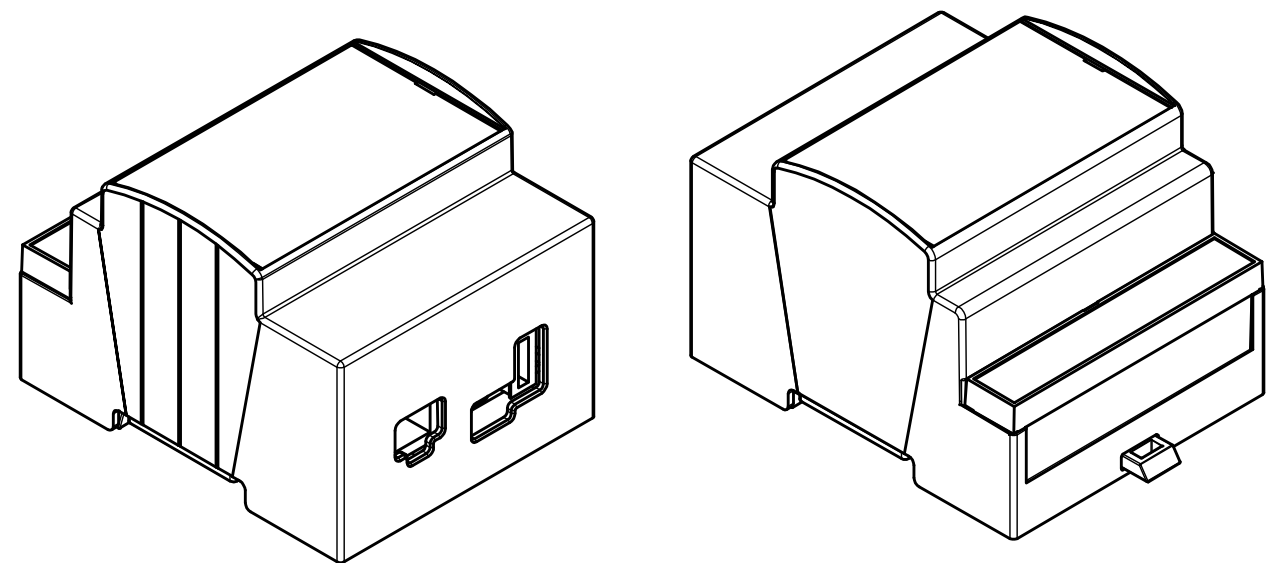


A-A

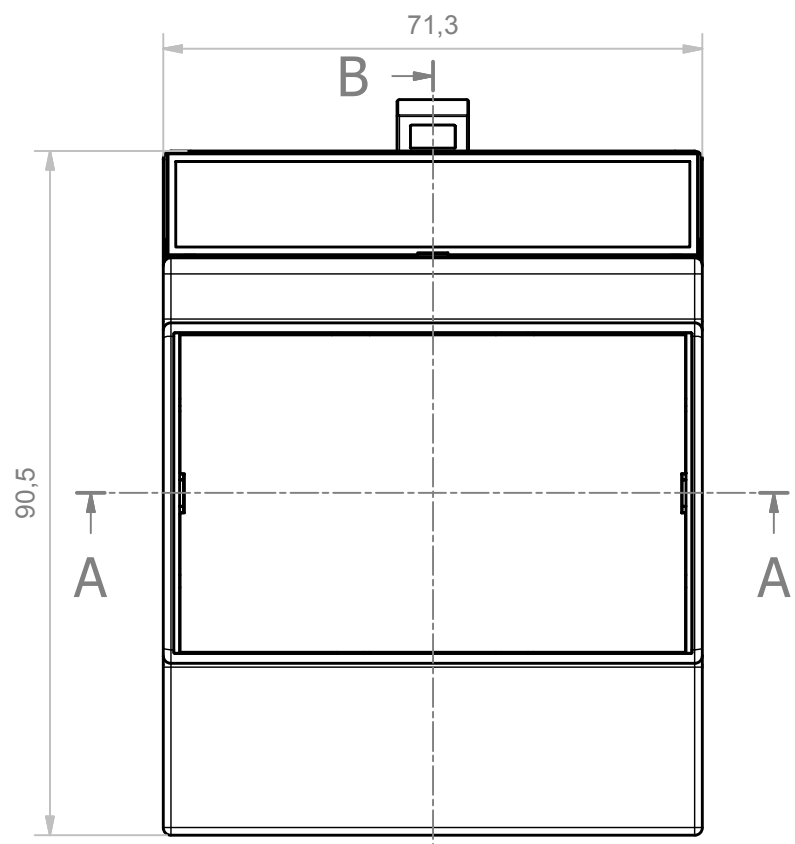


COMPONENTS LIST		
PCB TYPE	PCB DIMENS	TOLERANCE
B	67.6X72.6	±0,1 mm
C	67.4X42.0	±0,1 mm

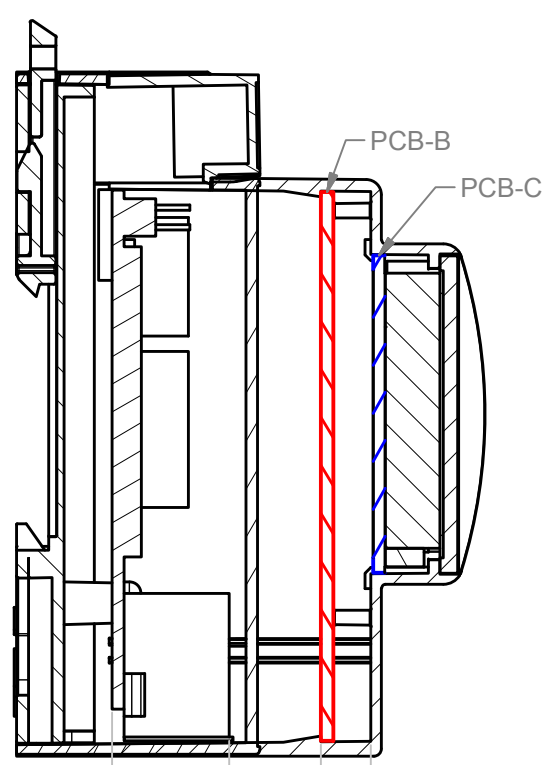


B

71,3



B-B



COMPONENTS LIST

RIF.	Q.TY	DESCRIPTION	CODE
1	1	CORPO 4M53-B XTS ARDUINO YUN - BODY 4M53-B XTS ARDUINO YUN	M-05214
2	1	BASE 4M XT ARDUINO	M-05215
3	1	PANNELLO 4M SENZA CORNICE - PANEL 4M WITHOUT FRAME	M-00346
4	1	AGGANCIAMENTO MODULBOX LUNGO- HOOK MODULBOX LONG	P05990002A
5	1	COPRIMORSETTO 4MPN - TERMINAL COVER 4MPN	M-00219
6	3	VITE d 2.9X6.5 TRONCA - SCREW 2.9X6.5 d TRUNC	PM10012021

Da 0,5 a 3	Oltre 3 fino a 6	Oltre 6 fino a 30	Oltre 30 fino a 120	Oltre 120
± 0,1	± 0,1	± 0,2	± 0,3	± 0,5

**RESERVED PROPERTY**  
The present drawing cannot be reproduced or communicated to 3d parties, even partially, without the authorization of ITALTRONIC Srl. Italtronic reserves to protect its own rights according to the law.

Date: **27/02/2014**

Drawn: **Rigato N.** Checked: **Dalla Montà D.**

SHEET NR. **1 / 1** DRAWING BY **GAD** GENERAL TOLERANCE **UNI EN 22768/1 Media (m)**

Manual modification are not allowed

Replace nr. Scale:

Denomination: **Modulbox 4M Arduino Yun**

**Plastic+ Group**  
UN PARTNER PER IL FUTURO

**ITALTRONIC S.R.L.**  
VIA AUSTRIA 25/D 35127 PADOVA - ITALY  
www.italtronic.com

Drawing nr. **M-05341-01**

Aggiunto quote. 03/12/2014 Rigato N.

5	4	3	2	1

Revision description