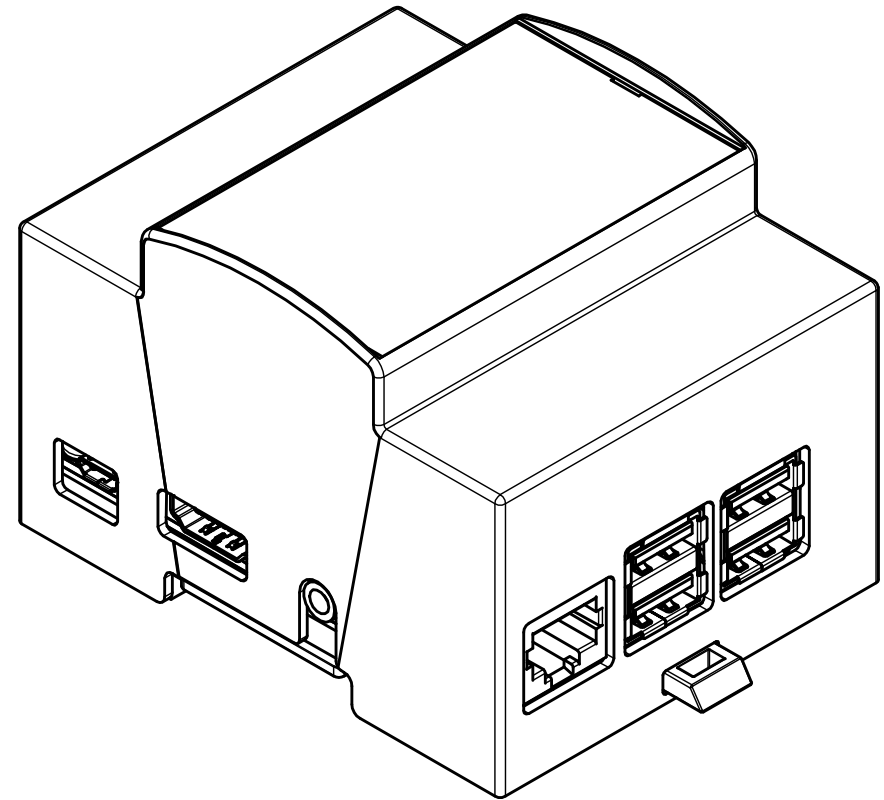


**COMPONENTS LIST**

PCB TYPE	PCB DIMENS	TOLERANCE
B	67.6X86.4	±0,1 mm
C	67.4X42.0	±0,1 mm



A-A (1:1)

RIF.	Q.TY	DESCRIPTION	CODE
1	1	HOOK MODULBOX LONG	P05990002A
2	1	BASE 4M XT RASPBERRY B+/A+/ODROID	M-05556
3	1	PANEL 4M WITHOUT FRAME	M-00346
4	2	SCREW 2.9X6.5 d TRUNC	PM10012021
5	1	BODY 4M53-C XTS RASPBERRY PiB+	M-06566

RESERVED PROPERTY: The present drawing cannot be reproduced or communicated to 3d parties, even partially, without the authorization of ITALTRONIC Srl. Italtronic reserves to protect its own rights according to the law.

5 4 3 2 1

GENERAL TOLERANCE		<b>UNI EN 22768/1 Media (m)</b>		Drawed:		Checked:		Revision description	
SHEET NR.		Dimension in mm		DRAWING BY		Date:		Scale: 1 : 1	
1 / 1				 Manual modification are not allowed		Rigato N.		Dalla Montà D.	
						29/03/2016		Replace nr.	
								Part number:	

 UN PARTNER PER IL FUTURO		Denomination:	
		KIT 4M XTS RASPBERRY PI3	
 www.italtronic.com		Drawing nr. <b>M-06593-00</b>	

**ITALTRONIC S.R.L.**  
 VIA AUSTRIA 25/D 35127  
 PADOVA - ITALY  
 www.italtronic.com