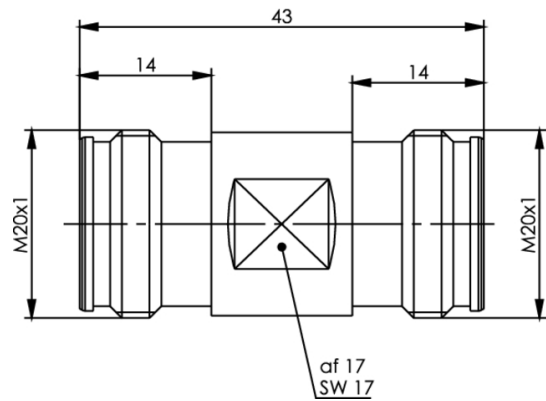


order number: J01442A0001

4.3-10 adaptor, f-f



|                      |     |
|----------------------|-----|
| Technical Attributes |     |
| Remarks              | f-f |