

## Low friction, low wear: The Fast and Slow Motion Specialist – iglidur® J



Over 250 sizes available from stock

Low wear against different shaft materials

Low coefficients of friction running dry

Vibration dampening

Good chemical resistance

Best material to use with soft shaft materials

Low moisture absorption

# iglidur® J | The Fast and Slow Motion Specialist

**Low friction, low wear.** The iglidur® J plain bearings are designed for the lowest coefficients of friction while running dry and low stick slip tendency. With a maximum permissible surface pressure of 35 MPa iglidur® J plain bearings are not suitable for extreme loads.



## When to use it?

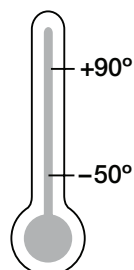
- For high speeds
- For highest wear resistance at low to medium pressures
- Low wear against different shafts
- Low coefficient of friction in dry run
- Vibration dampening
- Good chemical resistance
- Best performance with soft shaft materials
- Low moisture absorption



## When not to use it?

- When high pressures occur
  - ▶ iglidur® G, page 81
  - ▶ iglidur® W300, page 151
- When short term temperatures occur that are greater +120°C
  - ▶ iglidur® J350, page 257
  - ▶ iglidur® Z, page 327
- When a low-cost bearing for occasional movements is necessary
  - ▶ iglidur® G, page 81

## Temperature



## Product range

3 types  
> 250 dimensions  
Ø 1.5–139 mm



# iglidur® J | Application Examples



## Typical sectors of industry and application areas

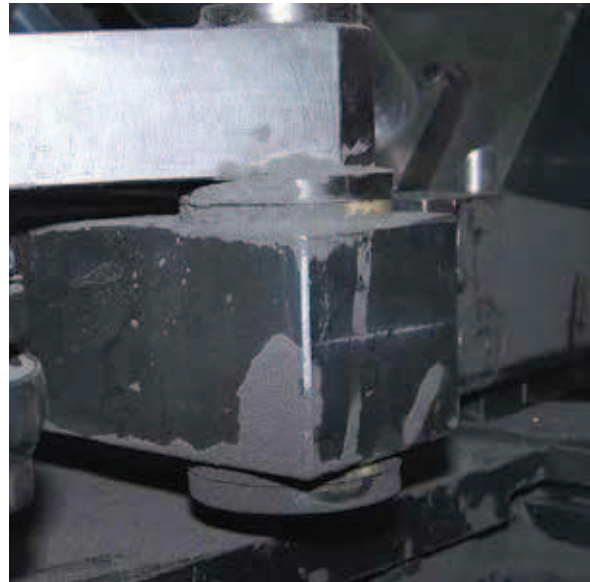
- Automation ● Printing industry
- Beverage technology ● Aerospace engineering ● Cleanroom etc.

Improve technology and reduce costs – 310 exciting examples for iglidur® plain bearings online

► [www.igus.eu/iglidur-applications](http://www.igus.eu/iglidur-applications)



► [www.igus.eu/mountainbike](http://www.igus.eu/mountainbike)



► [www.igus.eu/powderpress](http://www.igus.eu/powderpress)



► [www.igus.eu/pullback-star](http://www.igus.eu/pullback-star)



► [www.igus.eu/sawmill](http://www.igus.eu/sawmill)

## Material properties table

General properties	Unit	iglidur® J	Testing method
Density	g/cm <sup>3</sup>	1.49	
Colour		yellow	
Max. moisture absorption at +23 °C/50 % r.h.	% weight	0.3	DIN 53495
Max. water absorption	% weight	1.3	
Coefficient of sliding friction, dynamic against steel	μ	0.06–0.18	
pv value, max. (dry)	MPa · m/s	0.34	
Mechanical properties			
Modulus of elasticity	MPa	2,400	DIN 53457
Tensile strength at +20 °C	MPa	73	DIN 53452
Compressive strength	MPa	60	
Max. static surface pressure (+20 °C)	MPa	35	
Shore D hardness		74	DIN 53505
Physical and thermal properties			
Max. long term application temperature	°C	+90	
Max. short term application temperature	°C	+120	
Min. application temperature	°C	-50	
Thermal conductivity	W/m · K	0.25	ASTM C 177
Coefficient of thermal expansion (at +23 °C)	K <sup>-1</sup> · 10 <sup>-5</sup>	10	DIN 53752
Electrical properties			
Specific volume resistance	Ωcm	> 10 <sup>13</sup>	DIN IEC 93
Surface resistance	Ω	> 10 <sup>12</sup>	DIN 53482

Table 01: Material properties table

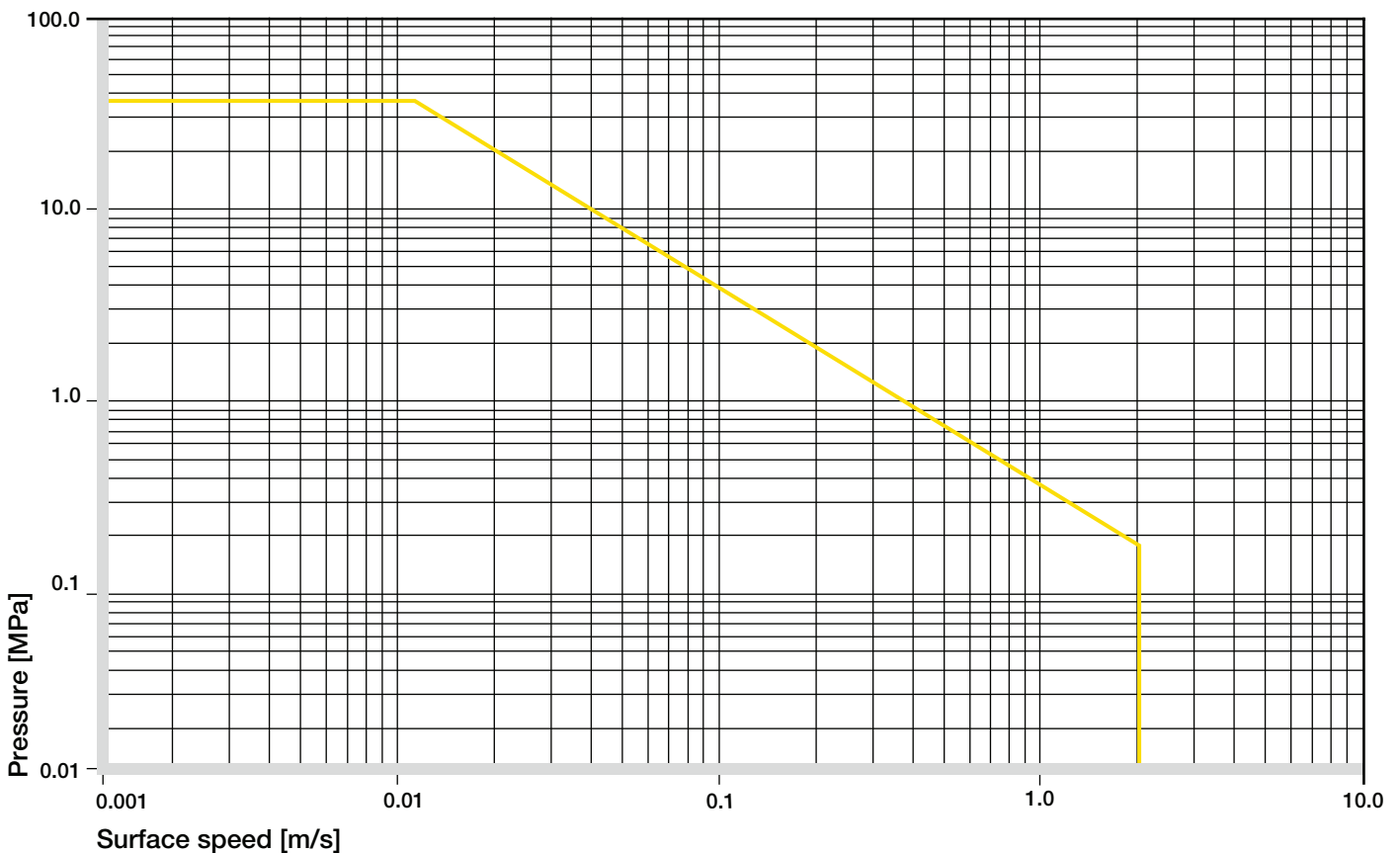


Diagram 01: Permissible pv values for iglidur® J with a wall thickness of 1 mm dry running against a steel shaft at +20 °C, mounted in a steel housing

# iglidur® J | Technical Data

One main advantage of iglidur® J plain bearings is the combination of a low coefficient of friction when running dry and the low stick-slip tendency.

## Mechanical Properties

With increasing temperatures, the compressive strength of iglidur® J plain bearings decreases. The Diagram 02 shows this inverse relationship. However, at the long-term maximum temperature of +90 °C the permissible surface pressure is almost 20 MPa. The recommended maximum surface pressure is a mechanical material parameter. No conclusions regarding the tribological properties can be drawn from this.

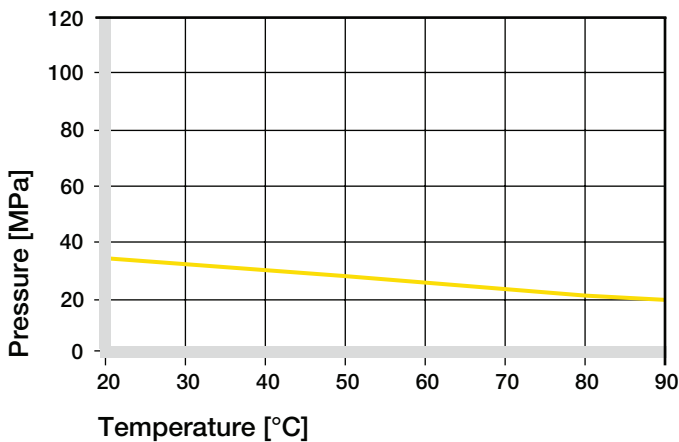


Diagram 02: Recommended maximum surface pressure as a function of temperature (35 MPa at +20 °C)

With a recommended maximum surface pressure of 35 MPa, iglidur® J plain bearings are not suitable for extreme loads. Diagram 03 shows the elastic deformation of iglidur® J as a function of radial pressure. At the recommended maximum surface pressure of 35 MPa the deformation is less than 2.5 %.

## ► Surface Pressure, page 63

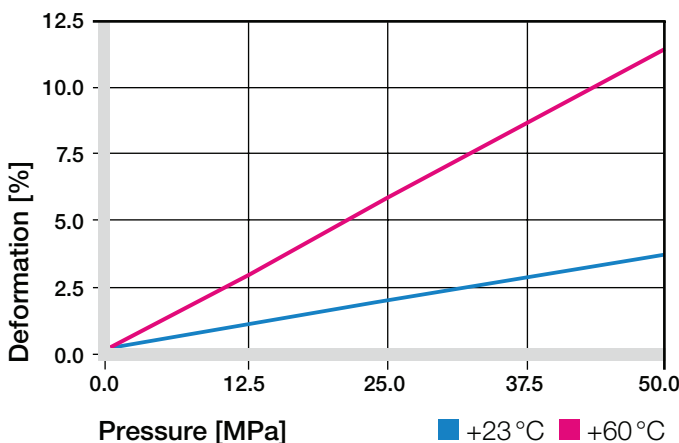


Diagram 03: Deformation under pressure and temperature

## Permissible Surface Speeds

The low coefficient of friction and the extremely low stick-slip tendency of iglidur® J plain bearings are especially important at very low speeds. However, iglidur® J material can also be used for high speeds of over 1 m/s. In both cases the static friction is very low and stick-slip does not occur.

The maximum values given in Table 02 can only be achieved at the lowest pressure loads. At the given speeds, friction can cause a temperature increase to maximum permissible levels. In practice, though, this temperature level is rarely reached, due to varying application conditions.

## ► Surface Speed, page 65

m/s	Rotating	Oscillating	Linear
Continuous	1.5	1.1	8
Short term	3	2.1	10

Table 02: Maximum surface speeds

## Temperatures

iglidur® J plain bearings can be used between -50 °C and +90 °C; the short-term maximum permissible temperature is +120 °C. Also, the wear increases significantly above +80 °C.

## ► Application Temperatures, page 66

iglidur® J	Application temperature
Minimum	-50 °C
Max., long term	+90 °C
Max., short term	+120 °C
Add. securing is required from	+60 °C

Table 03: Temperature limits



## Friction and Wear

Similar to wear resistance, the coefficient of friction  $\mu$  also changes with the load. Diagram 05 shows the coefficients of friction for different loads. The level of the coefficient of friction is very good for all loads with iglidur® J.

- ▶ Coefficients of Friction and Surfaces, **page 68**
- ▶ Wear Resistance, **page 69**

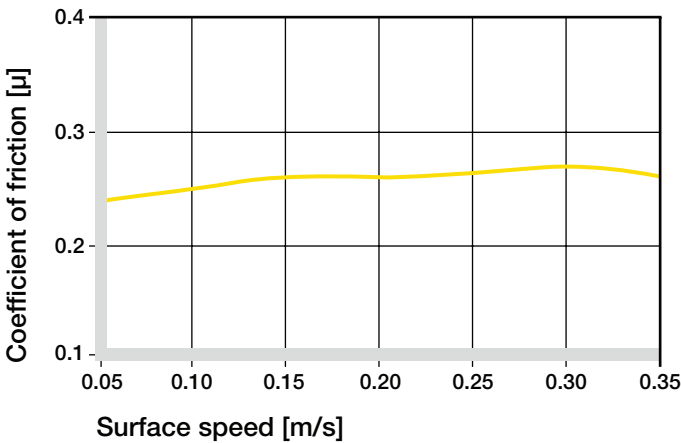


Diagram 04: Coefficient of friction as a function of the running speed,  $p = 0.75 \text{ MPa}$

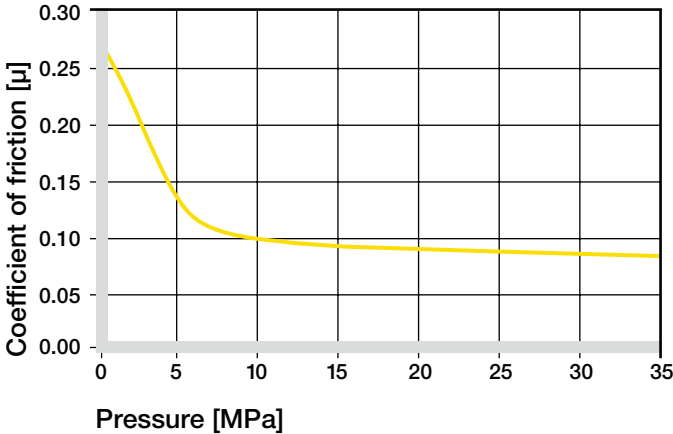


Diagram 05: Coefficient of friction as a function of the pressure,  $v = 0.01 \text{ m/s}$

## Shaft Materials

Friction and wear are also dependent, to a large extent, on the shaft material. With increasing shaft roughness, the coefficient of friction also increases. The best case is a ground surface with an average roughness  $R_a = 0.1\text{--}0.3 \mu\text{m}$  (Diagram 06).

Diagrams 07 to 09 show results of testing different shaft materials with plain bearings made of iglidur® J.

If iglidur® J plain bearings are used in rotational applications with pressures under 2 MPa, several shaft materials are suitable. A Hard Chromed shaft provides the lowest wear in this range. When compared to most iglidur® materials, iglidur® J has very low wear results at low loads compared with all shaft materials tested. Also, for increasing pressures up to 5 MPa, the wear resistance of iglidur® J is excellent.

In oscillating operation with Cf53 Steel and HR Carbon Steel, the wear of iglidur® J is slightly higher than for rotation. As Diagram 09 shows, the difference in wear between rotation and oscillating movements is most significant for 303 stainless steel shafts.

If the shaft material you plan to use is not contained in this list, please contact us.

- ▶ Shaft Materials, **page 71**

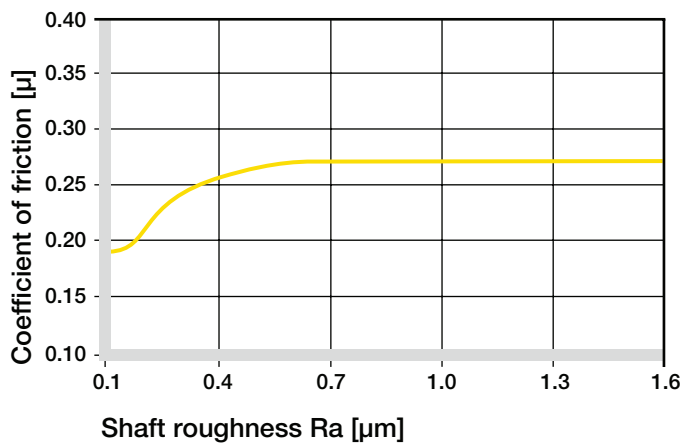


Diagram 06: Coefficient of friction as function of the shaft surface (Cf53 hardened and ground steel)

# iglidur® J | Technical Data

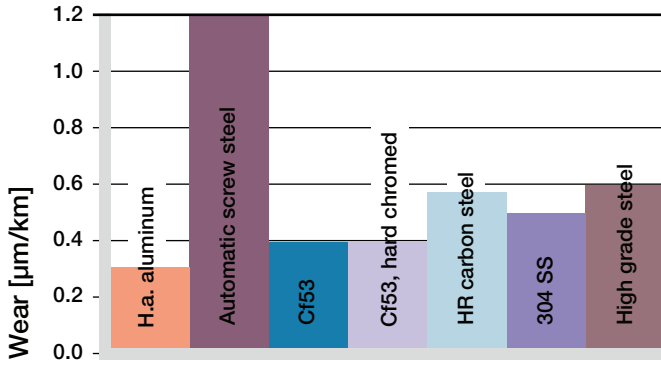


Diagram 07: Wear, rotating with different shaft materials, pressure  $p = 1 \text{ MPa}$ ,  $v = 0.3 \text{ m/s}$

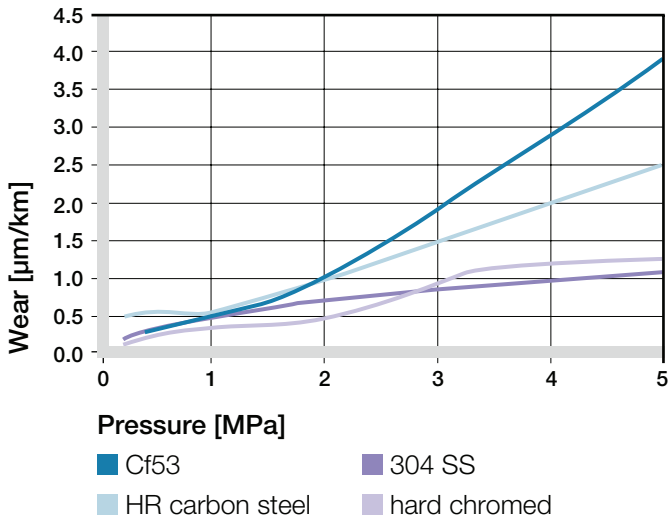


Diagram 08: Wear with different shaft materials in rotational operation, as a function of the pressure

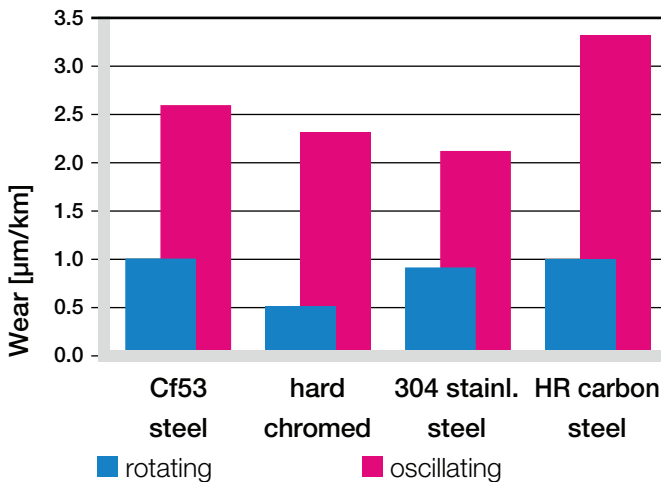


Diagram 09: Wear for rotating and oscillating applications with different shaft materials,  $p = 2 \text{ MPa}$

iglidur® J	Dry	Grease	Oil	Water
C.o.f. $\mu$	0.06–0.18	0.09	0.04	0.04

Table 04: Coefficients of friction against steel ( $R_a = 1 \text{ }\mu\text{m}$ , 50 HRC)

## Additional Properties

### Chemical Resistance

iglidur® J plain bearings are resistant to diluted alkaline and very weak acids, as well as fuels and all types of lubricants. The low moisture absorption also permits use in wet or damp environments.

Plain bearings made of iglidur® J are resistant to common cleaning agents used in the food industry.

► Chemical Table, page 1258

Medium	Resistance
Alcohol	+
Hydrocarbons	+
Greases, oils without additives	+
Fuels	+
Diluted acids	0 to –
Strong acids	–
Diluted alkalines	+
Strong alkalines	+ to 0

+ resistant    0 conditionally resistant    – not resistant

All data given at room temperature [ $+20 \text{ }^\circ\text{C}$ ]

Table 05: Chemical resistance

### Radiation Resistance

Plain bearings made from iglidur® J are resistant to radiation up to an intensity of  $3 \cdot 10^2 \text{ Gy}$ .

### UV Resistance

iglidur® J plain bearings become discoloured under UV radiation. However, hardness, compressive strength and the wear resistance of the material do not change.

### Vacuum

When used in a vacuum environment, the iglidur® J plain bearings release moisture as a vapour. Therefore, only dehumidified bearings are suitable in a vacuum environment.

## Electrical Properties

iglidur® J plain bearings are electrically insulating.

Specific volume resistance	> 10 <sup>13</sup> Ωcm
Surface resistance	> 10 <sup>12</sup> Ω 10

## Moisture Absorption

The moisture absorption of iglidur® J plain bearings is 0.3% in standard atmosphere. The saturation limit in water is 1.3%. These values are so low that design changes due to absorption are only necessary in extreme cases.

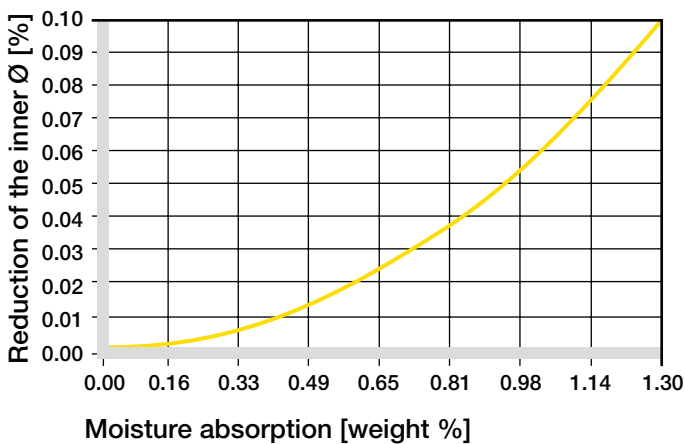


Diagram 10: Effect of moisture absorption on plain bearings

## Maximum moisture absorption

At +23 °C/50 % r.h.	0.3% weight
Max. water absorption	1.3% weight

Table 06: Moisture absorption

## Installation Tolerances

iglidur® J plain bearings are standard bearings for shafts with h-tolerance (recommended minimum h9). The bearings are designed for pressfit into a housing machined to a H7 tolerance. After being assembled into a nominal size housing, in standard cases the inner diameter automatically adjusts to the E10 tolerances. For particular dimensions the tolerance differs depending on the wall thickness (please see product range table).

► Testing Methods, page 75

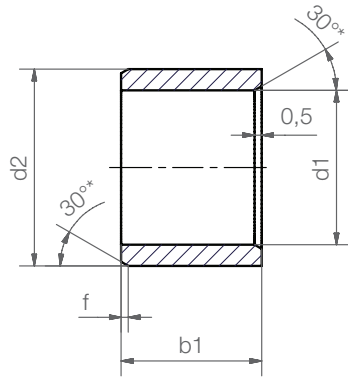
Diameter d1 [mm]	Shaft h9 [mm]	iglidur® J E10 [mm]	Housing H7 [mm]
up to 3	0-0.025	+0.014 +0.054	0 +0.010
> 3 to 6	0-0.030	+0.020 +0.068	0 +0.012
> 6 to 10	0-0.036	+0.025 +0.083	0 +0.015
> 10 to 18	0-0.043	+0.032 +0.102	0 +0.018
> 18 to 30	0-0.052	+0.040 +0.124	0 +0.021
> 30 to 50	0-0.062	+0.050 +0.150	0 +0.025
> 50 to 80	0-0.074	+0.060 +0.180	0 +0.030
> 80 to 120	0-0.087	+0.072 +0.212	0 +0.035
> 120 to 180	0-0.100	+0.085 +0.245	0 +0.040

Table 07: Essential tolerances for plain bearings according to ISO 3547-1 after pressfit



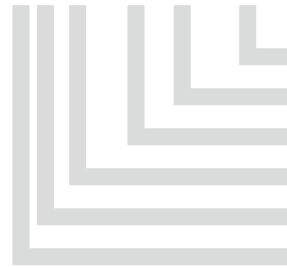
# iglidur® J | Product Range

## Sleeve bearing



### Order key

## JSM-0104-02



Dimensions according to ISO 3547-1 and special dimensions

\* thickness < 1 mm, chamfer = 20°

Chamfer in relation to the d1

d1 [mm]:	Ø 1-6	Ø 6-12	Ø 12-30	Ø > 30
f [mm]:	0.3	0.5	0.8	1.2

### Dimensions [mm]

Part number	d1	d1-Tolerance*	d2	b1 h13
JSM-0104-02	1.5	+0.014 +0.054	4.0	2.0
JSM-0205-02	2.0	+0.020 +0.080	5.0	2.5
JSM-0206-02	2.5	+0.020 +0.080	6.0	2.5
JSM-0304-05	3.0	+0.014 +0.054	4.5	5.0
JSM-0304-09	3.0	+0.014 +0.054	4.5	9.0
JSM-0305-04	3.0	+0.020 +0.080	5.0	4.0
JSM-0307-14	3.0	+0.020 +0.080	7.0	14.0
JSM-0308-04	3.0	+0.020 +0.080	8.0	4.0
JSM-0308-05	3.0	+0.020 +0.080	8.0	5.0
JSM-0405-04	4.0	+0.020 +0.068	5.5	4.0
JSM-0405-08	4.0	+0.020 +0.068	5.5	8.0
JSM-0507-046	5.0	+0.020 +0.068	7.0	4.6
JSM-0507-05	5.0	+0.020 +0.068	7.0	5.0
JSM-0507-10	5.0	+0.020 +0.068	7.0	10.0
JSM-0507-14	5.0	+0.020 +0.068	7.0	14.0
JSM-0507-15	5.0	+0.020 +0.080	7.0	15.0
JSM-0508-05	5.0	+0.030 +0.105	8.0	5.0
JSM-0607-03	6.0	+0.010 +0.058	7.0	3.0
JSM-0607-05	6.0	+0.010 +0.058	7.0	5.0
JSM-0607-08	6.0	+0.010 +0.058	7.0	8.0
JSM-0607-12.5	6.0	+0.010 +0.058	7.0	12.5
JSM-0607-14	6.0	+0.010 +0.058	7.0	14.0
JSM-0608-043	6.0	+0.020 +0.068	8.0	4.3
JSM-0608-06	6.0	+0.020 +0.068	8.0	6.0
JSM-0608-08	6.0	+0.020 +0.068	8.0	8.0
JSM-0608-10	6.0	+0.020 +0.068	8.0	10.0

Part number	d1	d1-Tolerance*	d2	b1 h13
JSM-0609-06	6.0	+0.030 +0.105	9.0	6.0
JSM-0610-10	6.0	+0.030 +0.105	10.0	10.0
JSM-0709-05	7.0	+0.025 +0.083	9.0	5.0
JSM-0709-07	7.0	+0.025 +0.083	9.0	7.0
JSM-0709-09	7.0	+0.025 +0.083	9.0	9.0
JSM-0709-125	7.0	+0.025 +0.083	9.0	12.5
JSM-0810-03	8.0	+0.025 +0.083	10.0	3.0
JSM-0810-04	8.0	+0.025 +0.083	10.0	4.0
JSM-0810-06	8.0	+0.025 +0.083	10.0	6.0
JSM-0810-08	8.0	+0.025 +0.083	10.0	8.0
JSM-0810-10	8.0	+0.025 +0.083	10.0	10.0
JSM-0810-12	8.0	+0.025 +0.083	10.0	12.0
JSM-0810-16	8.0	+0.025 +0.083	10.0	16.0
JSM-0812-10	8.0	+0.040 +0.130	12.0	10.0
JSM-0812-12	8.0	+0.040 +0.130	12.0	12.0
JSM-0911-10	9.0	+0.025 +0.083	11.0	10.0
JSM-1012-05	10.0	+0.025 +0.083	12.0	5.0
JSM-1012-06	10.0	+0.025 +0.083	12.0	6.0
JSM-1012-08	10.0	+0.025 +0.083	12.0	8.0
JSM-1012-10	10.0	+0.025 +0.083	12.0	10.0
JSM-1012-11	10.0	+0.025 +0.083	12.0	11.0
JSM-1012-12	10.0	+0.025 +0.083	12.0	12.0
JSM-1012-15	10.0	+0.025 +0.083	12.0	15.0
JSM-1012-20	10.0	+0.025 +0.083	12.0	20.0
JSM-1014-10	10.0	+0.040 +0.130	14.0	10.0
JSM-1014-16	10.0	+0.040 +0.130	14.0	16.0

\* after pressfit. Testing methods ► page 75

**delivery** from stock  
time

**prices** price list online  
[www.igus.eu/eu/j](http://www.igus.eu/eu/j)



## Sleeve bearing

### Dimensions [mm]

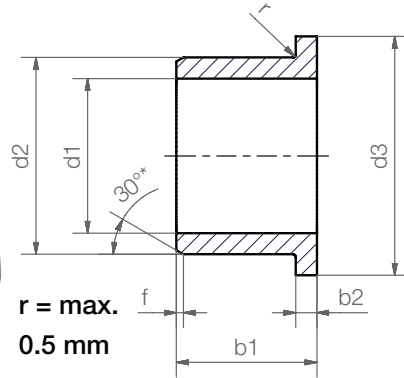
Part number	d1	d1-Tolerance*	d2	b1 h13
JSM-1214-06	12.0	+0.032 +0.102	14.0	6.0
JSM-1214-08	12.0	+0.032 +0.102	14.0	8.0
JSM-1214-09	12.0	+0.032 +0.102	14.0	9.0
JSM-1214-10	12.0	+0.032 +0.102	14.0	10.0
JSM-1214-15	12.0	+0.032 +0.102	14.0	15.0
JSM-1214-20	12.0	+0.032 +0.102	14.0	20.0
JSM-1216-12	12.0	+0.050 +0.160	16.0	12.0
JSM-1216-17	12.0	+0.050 +0.160	16.0	17.0
JSM-1315-20	13.0	+0.032 +0.102	15.0	20.0
JSM-1316-185	13.0	+0.032 +0.102	16.0	18.5
JSM-1416-05	14.0	+0.032 +0.102	16.0	5.0
JSM-1416-08	14.0	+0.032 +0.102	16.0	8.0
JSM-1416-10	14.0	+0.032 +0.102	16.0	10.0
JSM-1416-15	14.0	+0.032 +0.102	16.0	15.0
JSM-1416-20	14.0	+0.032 +0.102	16.0	20.0
JSM-1416-25	14.0	+0.032 +0.102	16.0	25.0
JSM-1418-18	14.0	+0.032 +0.102	18.0	18.0
JSM-1420-20	14.0	+0.050 +0.160	20.0	20.0
JSM-1517-06	15.0	+0.032 +0.102	17.0	6.0
JSM-1517-12	15.0	+0.032 +0.102	17.0	12.0
JSM-1517-20	15.0	+0.032 +0.102	17.0	20.0
JSM-1518-10	15.0	+0.032 +0.102	18.0	10.0
JSM-1618-10	16.0	+0.032 +0.102	18.0	10.0
JSM-1618-12	16.0	+0.032 +0.102	18.0	12.0
JSM-1618-15	16.0	+0.032 +0.102	18.0	15.0
JSM-1618-20	16.0	+0.032 +0.102	18.0	20.0
JSM-1620-16	16.0	+0.050 +0.160	20.0	16.0
JSM-1622-16	16.0	+0.050 +0.160	22.0	16.0
JSM-1622-20	16.0	+0.050 +0.160	22.0	20.0
JSM-1820-15	18.0	+0.032 +0.102	20.0	15.0
JSM-1820-20	18.0	+0.032 +0.102	20.0	20.0
JSM-1922-14	19.0	+0.032 +0.102	22.0	14.0
JSM-2022-20	20.0	+0.040 +0.124	22.0	20.0
JSM-2022-30	20.0	+0.040 +0.124	22.0	30.0
JSM-2023-15	20.0	+0.040 +0.124	23.0	15.0
JSM-2023-20	20.0	+0.040 +0.124	23.0	20.0
JSM-2023-25	20.0	+0.020 +0.104	23.0	25.0
JSM-2026-06	20.0	+0.065 +0.195	26.0	6.0
JSM-2026-20	20.0	+0.065 +0.195	26.0	20.0
JSM-2026-25	20.0	+0.065 +0.195	26.0	25.0
JSM-2026-30	20.0	+0.065 +0.195	26.0	30.0
JSM-2124-12	21.0	+0.040 +0.124	24.0	12.0

Part number	d1	d1-Tolerance*	d2	b1 h13
JSM-2326-12	23.0	+0.040 +0.124	26.0	12.0
JSM-2427-25	24.0	+0.040 +0.124	27.0	25.0
JSM-2427-46	24.0	+0.040 +0.124	27.0	46.0
JSM-2528-12	25.0	+0.040 +0.124	28.0	12.0
JSM-2528-20	25.0	+0.040 +0.124	28.0	20.0
JSM-2528-30	25.0	+0.040 +0.124	28.0	30.0
JSM-2528-60	25.0	+0.040 +0.124	28.0	60.0
JSM-2530-40	25.0	+0.065 +0.195	30.0	40.0
JSM-2532-25	25.0	+0.065 +0.195	32.0	25.0
JSM-2532-32	25.0	+0.065 +0.195	32.0	32.0
JSM-2532-35	25.0	+0.065 +0.195	32.0	35.0
JSM-2630-20	26.0	+0.065 +0.195	30.0	20.0
JSM-2730-20	27.0	+0.040 +0.124	30.0	20.0
JSM-2832-20	28.0	+0.065 +0.195	32.0	20.0
JSM-3034-20	30.0	+0.040 +0.124	34.0	20.0
JSM-3034-25	30.0	+0.040 +0.124	34.0	25.0
JSM-3034-30	30.0	+0.040 +0.124	34.0	30.0
JSM-3038-40	30.0	+0.065 +0.195	38.0	40.0
JSM-3236-20	32.0	+0.050 +0.150	36.0	20.0
JSM-3236-30	32.0	+0.050 +0.150	36.0	30.0
JSM-3236-40	32.0	+0.050 +0.150	36.0	40.0
JSM-3238-50	32.0	+0.080 +0.240	38.0	50.0
JSM-3539-20	35.0	+0.050 +0.150	39.0	20.0
JSM-3539-30	35.0	+0.050 +0.150	39.0	30.0
JSM-3539-40	35.0	+0.050 +0.150	39.0	40.0
JSM-3640-45	36.0	+0.050 +0.150	40.0	45.0
JSM-4044-30	40.0	+0.050 +0.150	44.0	30.0
JSM-4044-35	40.0	+0.050 +0.150	44.0	35.0
JSM-4044-40	40.0	+0.050 +0.150	44.0	40.0
JSM-4246-73	42.0	+0.080 +0.240	46.0	73.0
JSM-4550-50	45.0	+0.025 +0.125	50.0	50.0
JSM-5055-30	50.0	+0.050 +0.150	55.0	30.0
JSM-5055-50	50.0	+0.050 +0.150	55.0	50.0
JSM-5560-60	55.0	+0.060 +0.180	60.0	60.0
JSM-6065-60	60.0	+0.060 +0.180	65.0	60.0
JSM-6570-50	65.0	+0.060 +0.180	70.0	50.0
JSM-7075-60	70.0	+0.060 +0.180	75.0	60.0
JSM-7580-60	75.0	+0.060 +0.180	80.0	60.0
JSM-8085-100	80.0	+0.060 +0.180	85.0	100.0
JSM-8086-60	80.0	+0.060 +0.180	86.0	60.0
JSM-100105-100	100.0	+0.072 +0.212	105.0	100.0
JSM-110115-60	110.0	+0.072 +0.212	115.0	60.0

\* after pressfit. Testing methods ► page 75

# iglidur® J | Product Range

## Flange bearing



### Order key

**JFM-0304-03**



- Length b1
- Outer diameter d2
- Inner diameter d1
- Metric
- Type (Form F)
- Material iglidur® J

Dimensions according to ISO 3547-1 and special dimensions

\* thickness < 1 mm, chamfer = 20°

Chamfer in relation to the d1

d1 [mm]:	Ø 1-6	Ø 6-12	Ø 12-30	Ø > 30
f [mm]:	0.3	0.5	0.8	1.2

### Dimensions [mm]

Part number	d1	d1-Tolerance*	d2	d3 d13	b1 h13	b2 -0.14
JFM-0304-03	3.0	+0.014 +0.054	4.5	7.5	3.0	0.75
JFM-0304-045	3.0	+0.014 +0.054	4.5	7.5	4.5	0.75
JFM-0304-05	3.0	+0.014 +0.054	4.5	7.5	5.0	0.75
JFM-0306-10	3.0	+0.020 +0.080	6.0	9.0	10.0	1.5
JFM-0405-03	4.0	+0.020 +0.068	5.5	9.5	3.0	0.75
JFM-0405-06	4.0	+0.020 +0.068	5.5	9.5	6.0	0.75
JFM-0506-05	5.0	+0.020 +0.068	6.0	10.0	5.0	0.5
JFM-0507-03	5.0	+0.020 +0.068	7.0	11.0	3.0	1.0
JFM-0507-05	5.0	+0.020 +0.068	7.0	11.0	5.0	1.0
JFM-0608-04	6.0	+0.020 +0.068	8.0	12.0	4.0	1.0
JFM-0608-06	6.0	+0.020 +0.068	8.0	12.0	6.0	1.0
JFM-0608-08	6.0	+0.020 +0.068	8.0	12.0	8.0	1.0
JFM-0608-10	6.0	+0.020 +0.068	8.0	12.0	10.0	1.0
JFM-0610-10	6.0	+0.030 +0.105	10.0	14.0	10.0	2.0
JFM-0810-038	8.0	+0.025 +0.083	10.0	15.0	3.8	1.0
JFM-0810-05	8.0	+0.025 +0.083	10.0	15.0	5.0	1.0
JFM-0810-06	8.0	+0.025 +0.083	10.0	15.0	6.0	1.0
JFM-0810-07	8.0	+0.025 +0.083	10.0	15.0	7.0	1.0
JFM-0810-08	8.0	+0.025 +0.083	10.0	15.0	8.0	1.0
JFM-0810-10	8.0	+0.025 +0.083	10.0	15.0	10.0	1.0
JFM-0810125-10	8.0	+0.025 +0.083	10.0	12.5	10.0	1.0
JFM-081014-10	8.0	+0.025 +0.083	10.0	14.0	10.0	1.0
JFM-081016-11	8.0	+0.025 +0.083	10.0	16.0	11.0	2.0
JFM-0812-06	8.0	+0.025 +0.083	12.0	16.0	6.0	2.0
JFM-1012-05	10.0	+0.025 +0.083	12.0	18.0	5.0	1.0
JFM-1012-09	10.0	+0.025 +0.083	12.0	18.0	9.0	1.0

\* after pressfit. Testing methods ► page 75



delivery from stock  
time



prices price list online  
www.igus.eu/eu/j



## Flange bearing

### Dimensions [mm]

Part number	d1	d1-Tolerance*	d2	d3 d13	b1 h13	b2 -0.14
JFM-1012-10	10.0	+0.025 +0.083	12.0	18.0	10.0	1.0
JFM-1012-12	10.0	+0.025 +0.083	12.0	18.0	12.0	1.0
JFM-1012-15	10.0	+0.025 +0.083	12.0	18.0	15.0	1.0
JFM-1012-18	10.0	+0.025 +0.083	12.0	18.0	18.0	1.0
JFM-101215-035	10.0	+0.025 +0.083	12.0	15.0	3.5	1.0
JFM-1014-14	10.0	+0.025 +0.083	14.0	17.5	14.0	1.0
JFM-1113-05	11.0	+0.032 +0.102	13.0	18.0	5.0	1.0
JFM-1214-05	12.0	+0.032 +0.102	14.0	20.0	5.0	1.0
JFM-1214-07	12.0	+0.032 +0.102	14.0	20.0	7.0	1.0
JFM-1214-09	12.0	+0.032 +0.102	14.0	20.0	9.0	1.0
JFM-1214-12	12.0	+0.032 +0.102	14.0	20.0	12.0	1.0
JFM-1214-15	12.0	+0.032 +0.102	14.0	20.0	15.0	1.0
JFM-121418-045	12.0	+0.032 +0.102	14.0	18.0	4.5	1.0
JFM-121418-10	12.0	+0.032 +0.102	14.0	18.0	10.0	1.0
JFM-1218-08	12.0	+0.050 +0.160	18.0	24.0	8.0	3.0
JFM-1218-12	12.0	+0.050 +0.160	18.0	24.0	12.0	3.0
JFM-1218-20	12.0	+0.050 +0.160	18.0	22.0	20.0	3.0
JFM-1416-03	14.0	+0.032 +0.102	16.0	22.0	3.0	1.0
JFM-1416-10	14.0	+0.032 +0.102	16.0	22.0	10.0	1.0
JFM-1416-12	14.0	+0.032 +0.102	16.0	22.0	12.0	1.0
JFM-1416-17	14.0	+0.032 +0.102	16.0	22.0	17.0	1.0
JFM-141822-20	14.0	+0.032 +0.102	18.0	22.0	20.0	2.0
JFM-141825-24	14.0	+0.032 +0.102	18.0	25.0	24.0	2.0
JFM-1517-04	15.0	+0.032 +0.102	17.0	23.0	4.0	1.0
JFM-1517-055	15.0	+0.032 +0.102	17.0	23.0	5.5	1.0
JFM-1517-09	15.0	+0.032 +0.102	17.0	23.0	9.0	1.0
JFM-1517-12	15.0	+0.032 +0.102	17.0	23.0	12.0	1.0
JFM-1517-17	15.0	+0.032 +0.102	17.0	23.0	17.0	1.0
JFM-1521-20	15.0	+0.050 +0.160	21.0	27.0	20.0	3.0
JFM-1618-06	16.0	+0.032 +0.102	18.0	24.0	6.0	1.0
JFM-1618-16	16.0	+0.032 +0.102	18.0	24.0	16.0	1.0
JFM-1618-17	16.0	+0.032 +0.102	18.0	24.0	17.0	1.0
JFM-1622-12	16.0	+0.050 +0.160	22.0	28.0	12.0	3.0
JFM-1622-15	16.0	+0.050 +0.160	22.0	28.0	15.0	3.0
JFM-1719-09	17.0	+0.032 +0.102	19.0	25.0	9.0	1.0
JFM-1719-21	17.0	+0.032 +0.102	19.0	25.0	21.0	1.0
JFM-1820-04	18.0	+0.032 +0.102	20.0	26.0	4.0	1.0
JFM-1820-12	18.0	+0.032 +0.102	20.0	26.0	12.0	1.0
JFM-1820-22	18.0	+0.032 +0.102	20.0	26.0	22.0	1.0
JFM-1821-12	18.0	+0.032 +0.102	21.0	25.0	12.0	1.0
JFM-1922-36	19.0	+0.032 +0.102	22.0	26.0	36.0	1.0
JFM-2023-11	20.0	+0.040 +0.124	23.0	30.0	11.5	1.5
JFM-2023-15.5	20.0	+0.040 +0.124	23.0	30.0	15.5	1.5

\* after pressfit. Testing methods ► page 75

# iglidur® J | Product Range

## Dimensions [mm]

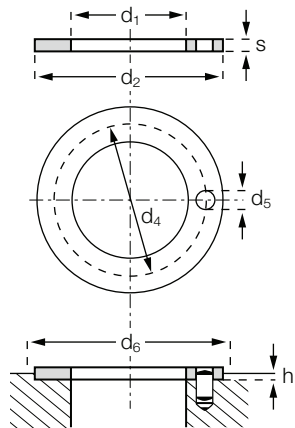
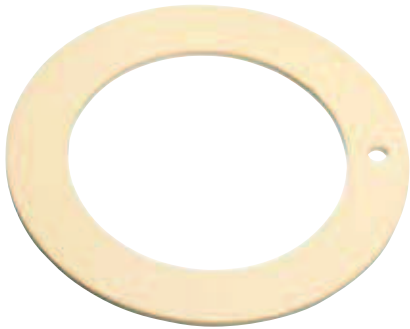
Part number	d1	d1-Tolerance*	d2	d3 d13	b1 h13	b2 -0.14
JFM-2023-21	20.0	+0.040 +0.124	23.0	30.0	21.5	1.5
JFM-202530-15	20.0	+0.065 +0.195	25.0	30.0	15.0	2.0
JFM-2026-15	20.0	+0.065 +0.195	26.0	32.0	15.0	3.0
JFM-2026-20	20.0	+0.065 +0.195	26.0	32.0	20.0	3.0
JFM-2026-25	20.0	+0.065 +0.195	26.0	32.0	25.0	3.0
JFM-222532-08	22.0	+0.040 +0.124	25.0	32.0	8.0	1.5
JFM-2430-30	24.0	+0.040 +0.124	30.0	36.0	30.0	3.0
JFM-2528-06	25.0	+0.040 +0.124	28.0	35.0	6.0	1.5
JFM-2528-12	25.0	+0.040 +0.124	28.0	35.0	12.0	1.5
JFM-2528-14.5	25.0	+0.040 +0.124	28.0	35.0	14.5	1.5
JFM-2528-21	25.0	+0.040 +0.124	28.0	35.0	21.5	1.5
JFM-252839-05	25.0	+0.040 +0.124	28.0	39.0	5.0	1.5
JFM-252839-075	25.0	+0.040 +0.124	28.0	39.0	7.5	1.5
JFM-2532-20	25.0	+0.065 +0.195	32.0	38.0	20.0	4.0
JFM-2532-25	25.0	+0.065 +0.195	32.0	38.0	25.0	4.0
JFM-283235-07	28.0	+0.065 +0.195	32.0	35.0	7.0	2.0
JFM-283239-20	28.0	+0.040 +0.124	32.0	39.0	20.0	2.0
JFM-303240-12	30.0	+0.040 +0.124	32.0	40.0	12.0	1.0
JFM-3034-20	30.0	+0.040 +0.124	34.0	42.0	20.0	2.0
JFM-3034-26	30.0	+0.040 +0.124	34.0	42.0	26.0	2.0
JFM-3038-20	30.0	+0.080 +0.240	38.0	44.0	20.0	4.0
JFM-3038-30	30.0	+0.065 +0.195	38.0	44.0	30.0	4.0
JFM-3038-36	30.0	+0.065 +0.195	38.0	44.0	36.0	4.0
JFM-3539-12	35.0	+0.050 +0.150	39.0	47.0	12.0	2.0
JFM-3539-16	35.0	+0.050 +0.150	39.0	47.0	16.0	2.0
JFM-3539-26	35.0	+0.050 +0.150	39.0	47.0	26.0	2.0
JFM-4044-20	40.0	+0.050 +0.150	44.0	52.0	20.0	2.0
JFM-4044-30	40.0	+0.050 +0.150	44.0	52.0	30.0	2.0
JFM-4044-40	40.0	+0.050 +0.150	44.0	52.0	40.0	2.0
JFM-4550-12	45.0	+0.050 +0.150	50.0	58.0	12.0	2.0
JFM-4550-20	45.0	+0.050 +0.150	50.0	58.0	20.0	2.0
JFM-4550-50	45.0	+0.050 +0.150	50.0	58.0	50.0	2.0
JFM-5055-50	50.0	+0.050 +0.150	55.0	63.0	50.0	2.0
JFM-5055-115	50.0	+0.050 +0.150	55.0	63.0	11.5	2.0
JFM-5560-50	55.0	+0.060 +0.180	60.0	68.0	50.0	2.0
JFM-6065-37	60.0	+0.060 +0.180	65.0	73.0	37.0	2.0
JFM-6065-50	60.0	+0.060 +0.180	65.0	73.0	50.0	2.0
JFM-6570-60	65.0	+0.060 +0.180	70.0	78.0	60.0	2.0
JFM-7075-50	70.0	+0.060 +0.180	75.0	83.0	50.0	2.0
JFM-9095-100	90.0	+0.072 +0.212	95.0	103.0	100.0	2.5
JFM-100105-100	100.0	+0.072 +0.212	105.0	113.0	100.0	2.5
JFM-110115-100	110.0	+0.072 +0.212	115.0	123.0	100.0	2.5
JFM-120125-100	120.0	+0.072 +0.212	125.0	133.0	100.0	2.5

\* after pressfit. Testing methods ► page 75

 **delivery** from stock  
time

 **prices** price list online  
[www.igus.eu/eu/j](http://www.igus.eu/eu/j)

## Thrust washer



### Order key

## JTM-1224-015



- Thickness s
- Outer diameter d2
- Inner diameter d1
- Metric
- Type (Form T)
- Material iglidur® J

Dimensions according to ISO 3547-1 and special dimensions

### Dimensions [mm]

Part number	d1 +0.25	d2 -0.25	s -0.05	d4 -0.12 +0.12	d5 +0.375 +0.125	h +0.2 -0.2	d6 +0.12
JTM-1224-015	12.0	24.0	1.5	18.0	1.5	1.0	24.0
JTM-1234-015	12.0	34.0	1.5	**	**	1.0	34.0
JTM-2036-015	20.0	36.0	1.5	28.0	3.0	1.0	36.0
JTM-3039-015	30.0	39.0	1.5	**	**	1.0	39.0
JTM-5670-010	56.0	70.0	1.0	**	**	0.7	70.0
JTM-139188-020	139.0	188.0	2.0	**	**	1.5	188.0

\*\* Design without fixing bore



### Even more dimensions from stock

More than 300 dimensions are now available. Search online for your required bearing.

► [www.igus.eu/iglidur-specialbearings](http://www.igus.eu/iglidur-specialbearings)



**delivery** from stock  
**time**

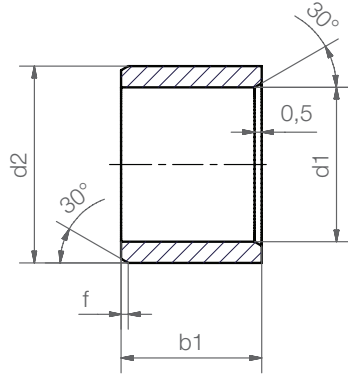


**prices** price list online  
[www.igus.eu/eu/j](http://www.igus.eu/eu/j)



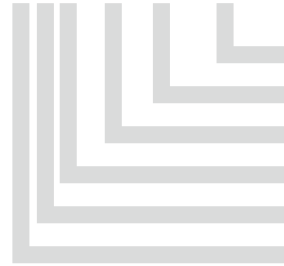
# iglidur® J | Product Range | Inch

## Sleeve bearing



### Order key

## JSI-0204-04



- Length b1
- Outer diameter d2
- Inner diameter d1
- Metric
- Type (Form S)
- Material iglidur® J

### Chamfer in relation to the d1

d1 [Inch]:	Ø 0.040–0.236	Ø 0.236–0.472	Ø 0.472–1.18	Ø > 1.18
f [Inch]:	0.012	0.019	0.031	0.047

### Dimensions [Inch]

Part number	d1	d2	b1	d1*		Housing Bore		Shaft Size	
				max.	min.	max.	min.	max.	min.
JSI-0204-04	1/8	1/4	1/4	.1280	.1262	.2515	.2510	.1250	.1241
JSI-0204-06	1/8	1/4	3/8	.1280	.1262	.2515	.2510	.1250	.1241
JSI-0304-06	3/16	1/4	3/8	.1892	.1873	.2503	.2497	.1865	.1858
JSI-0304-08	3/16	1/4	1/2	.1892	.1873	.2503	.2497	.1865	.1858
JSI-0305-05	3/16	5/16	5/16	.1905	.1887	.3140	.3135	.1875	.1866
JSI-0305-06	3/16	5/16	3/8	.1905	.1887	.3140	.3135	.1875	.1866
JSI-0305-08	3/16	5/16	1/2	.1905	.1887	.3140	.3135	.1875	.1866
JSI-0405-04	1/4	5/16	1/4	.2521	.2498	.3128	.3122	.2490	.2481
JSI-0405-06	1/4	5/16	3/8	.2521	.2498	.3128	.3122	.2490	.2481
JSI-0405-08	1/4	5/16	1/2	.2521	.2498	.3128	.3122	.2490	.2481
JSI-0406-04	1/4	3/8	1/4	.2539	.2516	.3765	.3760	.2500	.2491
JSI-0406-08	1/4	3/8	1/2	.2539	.2516	.3765	.3760	.2500	.2491
JSI-0406-12	1/4	3/8	3/4	.2539	.2516	.3765	.3760	.2500	.2491
JSI-0406-16	1/4	3/8	1	.2539	.2516	.3765	.3760	.2500	.2491
JSI-0506-06	5/16	3/8	3/8	.3148	.3125	.3753	.3747	.3115	.3106
JSI-0506-08	5/16	3/8	1/2	.3148	.3125	.3753	.3747	.3115	.3106
JSI-0506-12	5/16	3/8	3/4	.3148	.3125	.3753	.3747	.3115	.3106
JSI-0507-06	5/16	7/16	3/8	.3164	.3141	.4390	.4385	.3125	.3116
JSI-0507-08	5/16	7/16	1/2	.3164	.3141	.4390	.4385	.3125	.3116
JSI-0507-10	5/16	7/16	5/8	.3164	.3141	.4390	.4385	.3125	.3116
JSI-0607-06	3/8	15/32	3/8	.3773	.3750	.4691	.4684	.3740	.3731
JSI-0608-03	3/8	1/2	3/16	.3773	.3750	.4691	.4684	.3740	.3731
JSI-0608-06	3/8	1/2	3/8	.3773	.3750	.4691	.4684	.3740	.3731
JSI-0608-08	3/8	1/2	1/2	.3773	.3750	.4691	.4684	.3740	.3731
JSI-0608-10	3/8	1/2	5/8	.3773	.3750	.4691	.4684	.3740	.3731

\* after pressfit. Testing methods ► page 75



delivery from stock  
time



prices price list online  
www.igus.eu/eu/j



## Sleeve bearing

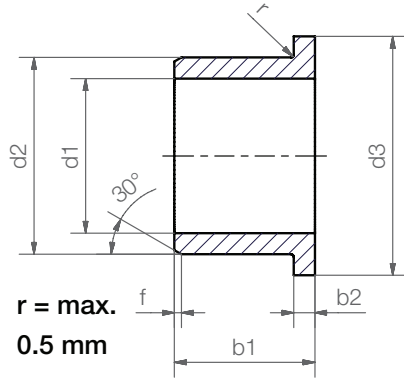
### Dimensions [Inch]

Part number	d1	d2	b1	d1*		Housing Bore		Shaft Size	
				max.	min.	max.	min.	max.	min.
JSI-0809-06	1/2	19/32	3/8	.5030	.5003	.5941	.5934	.4990	.4980
JSI-0809-08	1/2	19/32	1/2	.5030	.5003	.5941	.5934	.4990	.4980
JSI-0809-12	1/2	19/32	3/4	.5030	.5003	.5941	.5934	.4990	.4980
JSI-0810-08	1/2	5/8	1/2	.5040	.5013	.6260	.6250	.5000	.4990
JSI-0810-12	1/2	5/8	3/4	.5040	.5013	.6260	.6250	.5000	.4990
JSI-1011-08	5/8	23/32	1/2	.6280	.6253	.7192	.7184	.6240	.6230
JSI-1011-12	5/8	23/32	3/4	.6280	.6253	.7192	.7184	.6240	.6230
JSI-1012-04	5/8	3/4	1/4	.6297	.6270	.7510	.7500	.6250	.6240
JSI-1012-06	5/8	3/4	3/8	.6297	.6270	.7510	.7500	.6250	.6240
JSI-1012-08	5/8	3/4	1/2	.6297	.6270	.7510	.7500	.6250	.6240
JSI-1012-12	5/8	3/4	3/4	.6297	.6270	.7510	.7500	.6250	.6240
JSI-1012-16	5/8	3/4	1	.6297	.6270	.7510	.7500	.6250	.6240
JSI-1214-08	3/4	7/8	1/2	.7541	.7505	.8755	.8747	.7491	.7479
JSI-1214-12	3/4	7/8	3/4	.7541	.7505	.8755	.8747	.7491	.7479
JSI-1214-16	3/4	7/8	1	.7541	.7505	.8755	.8747	.7491	.7479
JSI-1216-12	3/4	1	3/4	.7559	.7525	1.0010	1.000	.7500	.7490
JSI-1216-16	3/4	1	1	.7559	.7525	1.0010	1.000	.7500	.7490
JSI-1416-12	7/8	1	3/4	.8791	.8757	1.0005	.9997	.8741	.8729
JSI-1418-12	7/8	1 1/8	3/4	.8809	.8775	1.1260	1.1250	.8750	.8740
JSI-1418-24	7/8	1 1/8	1 1/2	.8809	.8775	1.1260	1.1250	.8750	.8740
JSI-1620-16	1	1 1/4	1	1.0059	1.0025	1.2510	1.2500	1.0000	.9990
JSI-1620-24	1	1 1/4	1 1/2	1.0059	1.0025	1.2510	1.2500	1.0000	.9990
JSI-1822-16	1 1/8	1 13/8	1	1.1327	1.1276	1.3760	1.3750	1.1250	1.1240
JSI-2022-14	1 1/4	1 13/32	7/8	1.2548	1.2508	1.4068	1.4058	1.2488	1.2472
JSI-2024-24	1 1/4	1 1/2	1 1/2	1.2600	1.2532	1.5005	1.4995	1.2500	1.2490
JSI-2428-24	1 1/2	1 3/4	1 1/2	1.5100	1.5032	1.7505	1.7495	1.5000	1.4990

\* after pressfit. Testing methods ► page 75

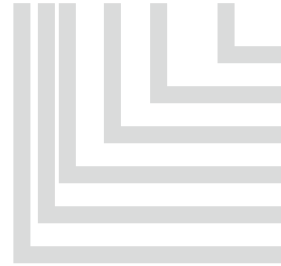
# iglidur® J | Product Range | Inch

## Flange bearing



### Order key

**JFI-0204-04**



- Length b1
- Outer diameter d2
- Inner diameter d1
- Inch
- Type (Form F)
- Material iglidur® G

### Chamfer in relation to the d1

d1 [Inch]:	Ø 0.040–0.236	Ø 0.236–0.472	Ø 0.472–1.18	Ø > 1.18
f [Inch]:	0.012	0.019	0.031	0.047

### Dimensions [Inch]

Part number	d1	d2	b1	d3	b2	d1*		Housing Bore		Shaft Size	
						max.	min.	max.	min.	max.	min.
JFI-0204-06	1/8	1/4	3/8	.360	.047	.1280	.1262	.2515	.2510	.1250	.1241
JFI-0304-02	3/16	1/4	1/8	.375	.032	.1905	.1887	.2515	.2510	.1875	.1866
JFI-0304-04	3/16	1/4	1/4	.375	.032	.1892	.1873	.2503	.2497	.1865	.1858
JFI-0304-06	3/16	1/4	3/8	.375	.032	.1892	.1873	.2503	.2497	.1865	.1858
JFI-0304-08	3/16	1/4	1/2	.375	.032	.1892	.1873	.2503	.2497	.1865	.1858
JFI-0305-06	3/16	5/16	3/8	.370	.047	.1905	.1887	.3140	.3135	.1875	.1866
JFI-0305-08	3/16	5/16	1/2	.370	.047	.1905	.1887	.3140	.3135	.1875	.1866
JFI-0405-04	1/4	5/16	1/4	.437	.032	.2521	.2498	.3128	.3122	.2490	.2481
JFI-0405-06	1/4	5/16	3/8	.437	.032	.2521	.2498	.3128	.3122	.2490	.2481
JFI-0405-12	1/4	5/16	3/4	.437	.032	.2521	.2498	.3128	.3122	.2490	.2481
JFI-0406-03	1/4	3/8	3/16	.560	.047	.2539	.2516	.3765	.3760	.2500	.2491
JFI-0406-04	1/4	3/8	1/4	.560	.047	.2539	.2516	.3765	.3760	.2500	.2491
JFI-0406-08	1/4	3/8	1/2	.560	.047	.2539	.2516	.3765	.3760	.2500	.2491
JFI-0506-04	5/16	3/8	1/4	.500	.032	.3148	.3125	.3753	.3747	.3115	.3106
JFI-0506-06	5/16	3/8	3/8	.500	.032	.3148	.3125	.3753	.3747	.3115	.3106
JFI-0506-08	5/16	3/8	1/2	.500	.032	.3148	.3125	.3753	.3747	.3115	.3106
JFI-0507-08	5/16	7/16	1/2	.560	.062	.3164	.3141	.4390	.4385	.3125	.3116
JFI-0607-06	3/8	15/32	3/8	.687	.046	.3772	.3775	.4691	.4684	.3740	.3731
JFI-0608-03	3/8	1/2	3/16	.625	.062	.3789	.3766	.5015	.5010	.3750	.3741
JFI-0608-06	3/8	1/2	3/8	.625	.062	.3789	.3766	.5015	.5010	.3750	.3741
JFI-0608-08	3/8	1/2	1/2	.625	.062	.3789	.3766	.5015	.5010	.3750	.3741
JFI-0809-04	1/2	19/32	1/4	.875	.046	.5040	.5000	.5941	.5934	.4990	.4980
JFI-0809-06	1/2	19/32	3/8	.875	.046	.5040	.5000	.5941	.5934	.4990	.4980
JFI-0809-08	1/2	19/32	1/2	.875	.046	.5040	.5000	.5941	.5934	.4990	.4980
JFI-0810-04	1/2	5/8	1/4	.875	.062	.5047	.5020	.6260	.6250	.5000	.4990

\* after pressfit. Testing methods ► page 75



delivery from stock  
time



prices price list online  
www.igus.eu/eu/j



## Flange bearing

### Dimensions [Inch]

Part number	d1	d2	b1	d3	b2	d1*		Housing Bore		Shaft Size	
						max.	min.	max.	min.	max.	min.
JFI-0810-08	1/2	5/8	1/2	.875	.062	.5047	.5020	.6260	.6250	.5000	.4990
JFI-0810-10	1/2	5/8	5/8	.875	.062	.5047	.5020	.6260	.6250	.5000	.4990
JFI-0810-12	1/2	5/8	3/4	.875	.062	.5047	.5020	.6260	.6250	.5000	.4990
JFI-1011-08	5/8	23/32	1/2	.937	.046	.6280	.6253	.7192	.7184	.6240	.6230
JFI-1011-12	5/8	23/32	3/4	1.000	.046	.6297	.6270	.7192	.7184	.6250	.6240
JFI-1012-08	5/8	3/4	1/2	1.000	.062	.6297	.6270	.7510	.7500	.6250	.6240
JFI-1012-12	5/8	3/4	3/4	1.000	.062	.6297	.6270	.7510	.7500	.6250	.6240
JFI-1012-16	5/8	3/4	1	1.000	.062	.6297	.6270	.7510	.7500	.6250	.6240
JFI-1214-08	3/4	7/8	1/2	1.125	.062	.7541	.7505	.8755	.8747	.7491	.7479
JFI-1214-10	3/4	7/8	5/8	1.125	.062	.7541	.7505	.8755	.8747	.7491	.7479
JFI-1214-12	3/4	7/8	3/4	1.125	.062	.7541	.7505	.8755	.8747	.7491	.7479
JFI-1214-16	3/4	7/8	1	1.125	.062	.7541	.7505	.8755	.8747	.7491	.7479
JFI-1216-12	3/4	1	3/4	1.250	.156	.7559	.7525	1.0010	1.0000	.7500	.7490
JFI-1216-16	3/4	1	1	1.250	.156	.7559	.7525	1.0010	1.0000	.7500	.7490
JFI-1416-12	7/8	1	3/4	1.250	.062	.8791	.8757	1.0005	.9997	.8741	.8729
JFI-141618-11	7/8	1	11/16	1.125	.062	.8809	.8776	1.0010	1.0000	.8750	.8740
JFI-1618-12	1	1 1/8	3/4	1.375	.062	1.0041	1.0007	1.1255	1.1247	.9991	.9979
JFI-1618-16	1	1 1/8	1	1.375	.062	1.0041	1.0007	1.1255	1.1247	.9991	.9979
JFI-1620-12	1	1 1/4	3/4	1.500	.188	1.0059	1.0025	1.2510	1.2500	1.0000	.9990
JFI-1620-16	1	1 1/4	1	1.500	.188	1.0059	1.0025	1.2510	1.2500	1.0000	.9990
JFI-1620-24	1	1 1/4	1 1/2	1.500	.188	1.0059	1.0025	1.2510	1.2500	1.0000	.9990
JFI-2024-16	1 1/4	1 1/2	1	1.750	.188	1.2600	1.2531	1.5005	1.4995	1.2500	1.2490
JFI-2024-24	1 1/4	1 1/2	1 1/2	1.750	.188	1.2600	1.2531	1.5005	1.4995	1.2500	1.2490
JFI-2428-16	1 1/2	1 3/4	1	2.000	.125	1.5100	1.5032	1.7505	1.7495	1.5000	1.4990
JFI-2428-24	1 1/2	1 3/4	1 1/2	2.000	.125	1.5100	1.5032	1.7505	1.7495	1.5000	1.4990
JFI-2630-16	1 5/8	1 7/8	1	2.125	.125	1.6350	1.6882	1.8755	1.8745	1.6250	1.6240

\* after pressfit. Testing methods ► page 75