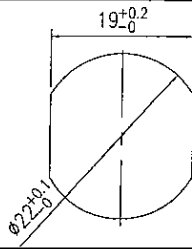
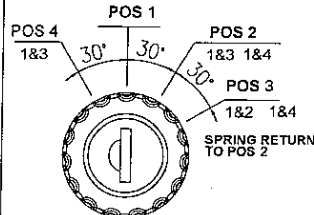
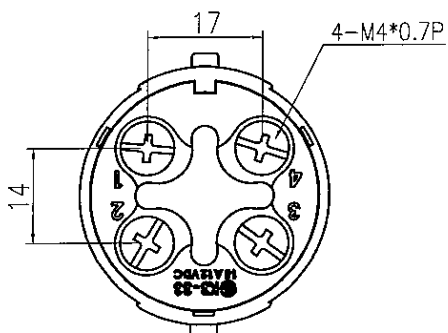
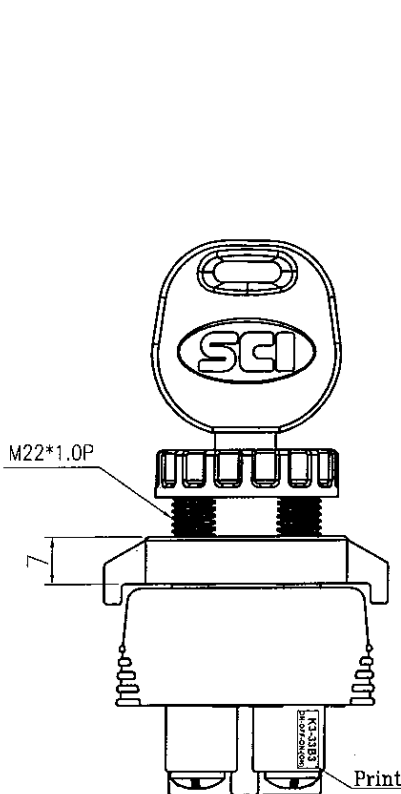
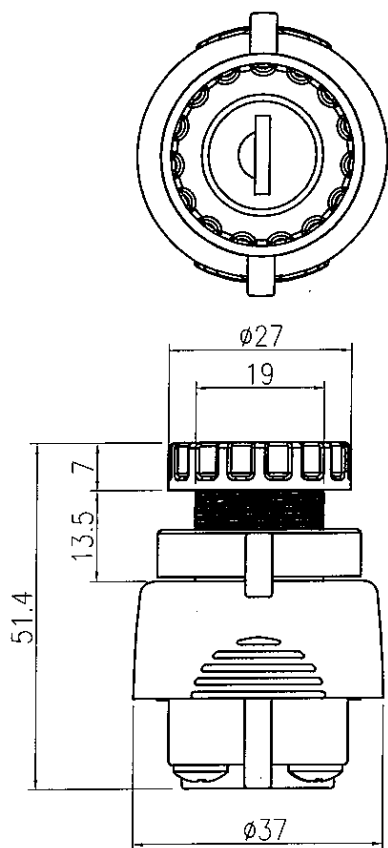


Rating	15A Max. 12VDC	Mounting Hole 	Circuit Diagram 
Contact Resistance	50M ohm Max.		
Insulation Resistance	DC 500V 100M ohm Min.	Thickness: 5.5mm max.	
Dielectric Strength	AC 1000V 1 minute		
Operation Temperature	-25°C~+85°C		
Switch Function	4P ON-OFF-ON-(ON)		



MATERIAL:
 Frame: PBT (94V-0), Black
 Botton: PBT (94V-0), Black
 Terminals: Copper Alloy
 Contacts: Copper Alloy+AgSn02In03

TOLERANCE: ±0.3mm UNLESS OTHERWISE SPECIFIED.

						△	
						△	
Date	Name	Description				NO	
Drawn	Checked	Approved	SCI BOM No.	Model Name	KEY SWITCH		
C.J.Chan		<i>DZL</i>	Customer No.	Model No.	K3-33C1-07	REV.	
3/2/'10		<i>3/9-10</i>	Unit	mm	SHIN CHIN INDUSTRIAL CO., LTD.		0