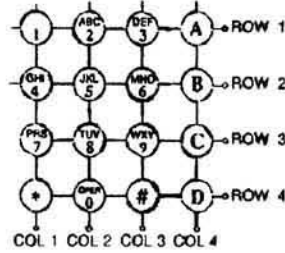


### GENERAL SPECIFICATION

- Contact rating: 20mA, 24VDC
- Contact resistance: 200 ohm max
- Life: 2,000,000 cycles per key
- Operating Temperature: -20°C to +60°C
- Storage Temperature: -40°C to +65°C

CIRCUIT DIAGRAM

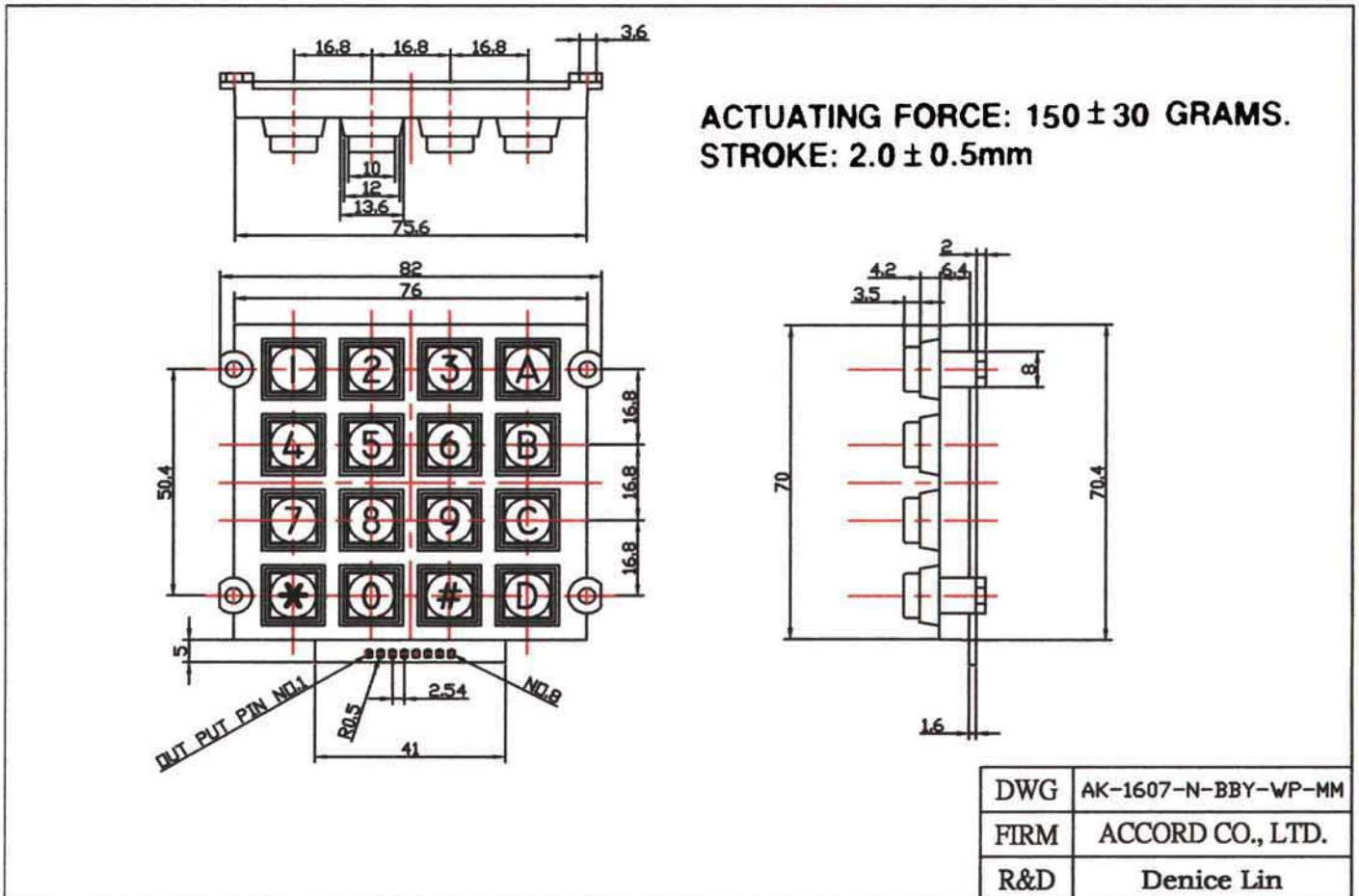


AK-1607

OUTPUT ARRANGEMENT	
OUTPUT PIN NO.	SYMBOL
1	ROW 2
2	ROW 3
3	COL 1
4	ROW 4
5	COL 2
6	COL 3
7	COL 4
8	ROW 1



AK-1607-N-BBY-WP-MM



### ACCORD CO., LTD.

8th Fl., No. 398, Jen Ai Road, Sec. 4, Taipei, Taiwan.

Tel: 886-2-2704-4503

Fax: 886-2-2703-6358

E-mail: [accordia@ms4.hinet.net](mailto:accordia@ms4.hinet.net)

<http://www.accordia.com.tw>

**" RoHS Compliant "**