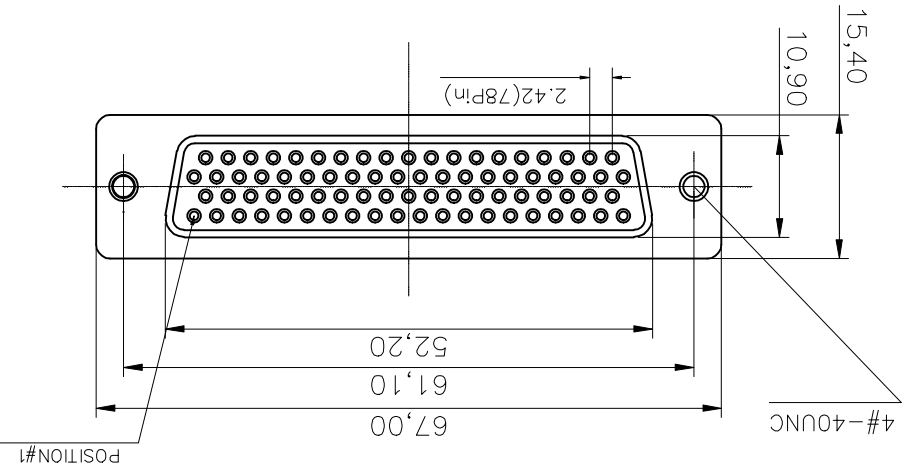
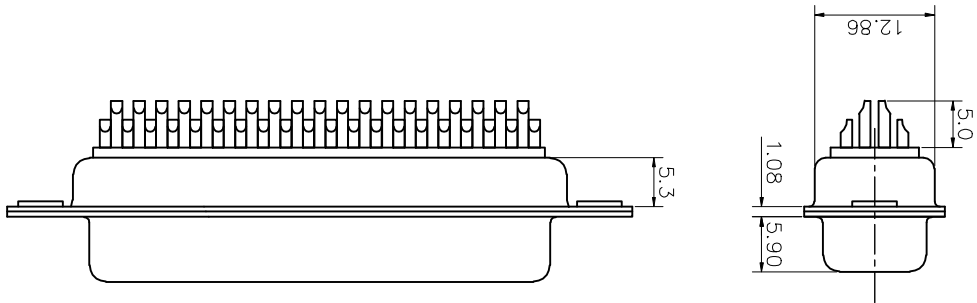




# Customer drawing



This document is the property of Amphenol Corporation and is delivered on condition that it not be disclosed, reproduced or used, in whole or in part, for manufacture or sale by anyone other than Amphenol Corporation without its prior consent. All rights are granted to disclose or to use any information in this document.

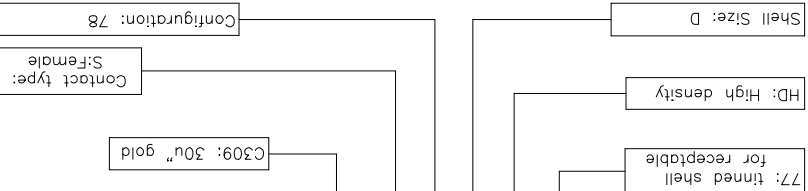
REV	DESCRIPTION	DATE	APPROVED
1	New release	3/8/12	IP

## D-SUB TECHNICAL DATA

**SHELL :** Steel, 100u" min tin over 50u" min nickel  
**BODY :** Glass filled thermoplastic.  
**CONTACTS :** Brass  
 Flame retardant to UL94 V-0, Color Black  
**CONTACTS :** 30u" min gold over 50u" min nickel on mating area  
 100u" min tin over 50u" min nickel on solder area  
**ELECTRICAL :** Voltage rating 250 V Rms to 50 Hz  
 Current rating signal contacts 3A  
 Withstanding Voltage : 1000 V Rms to 50 Hz for one minute  
 Insulation resistance : 1000 M Ohms at 500V DC  
 Contact resistance 20 mohms max.  
**CLIMATIC :** Temperature range -55 °C up to 125°C  
 MARKING : Amphenol...(Series No.)  
 Manufacturing date

## PRODUCT CODE

**L 77 HD D 78 S C309**



UNLESS OTHERWISE SPECIFIED		TOLERANCES		u.s. METRIC	
x	+/-	0.50	0.20	+	0.50
.xxx	+/-	0.30	0.20	+	0.30
fractions	+/-	0.20	0.20	+	0.20
ANGLES	+/-	2	2	+	2
FOR MATERIALS AND FINISHES SEE NOTES					
REMOVE SHARP EDGES					
DIMENSIONS					
U.S.		INCHES		MM	
METRIC		INCHES		MM	
ANGLE OF PROJECTION					
SIZE		DRAWING NO.		SCALE	
A4		C L77HDD78SC309		NONE	
REV.		SHEET		1 OF 1	
1		1		1	

**Amphenol**  
Amphenol East Asia Limited

**Amphenol**  
Stamped and formed connector, HD series

DRAWING FILE :

APPROVAL DATE

DRAWN DATE: 3/2/12

CHECKED DATE: 3/1/12

TONY

## X-ON Electronics

Largest Supplier of Electrical and Electronic Components

*Click to view similar products for [D-Sub High Density Connectors](#) category:*

*Click to view products by [Amphenol](#) manufacturer:*

Other Similar products are found below :

[1484349-1](#) [163A16769X](#) [163A16809X](#) [163A17089X](#) [164A17199X](#) [164A17209X](#) [164A17479X](#) [164A18209X](#) [17BH-044S-AA110](#) [K86X-AD-26S](#) [KF66X-A26P-NJ](#) [KF66X-E15P-N](#) [241A17320X](#) [242A18390X](#) [242A25740X](#) [L717HDB44POL2R210](#) [L717HDCH62POL2RM5](#) [L717HDEH15POL2](#) [L777HDE15P](#) [L77HDC62S](#) [L77HDE15SC309](#) [163A16779X](#) [163A16839X](#) [163A17049X](#) [163A17079X](#) [164A17309X](#) [164A17329X](#) [164A18219X](#) [241A16440X](#) [241A16550X](#) [241A16680X](#) [241A17390X](#) [241A20810X](#) [241A25740X](#) [CT25-44P](#) [K66X-E15S-N30](#) [K86X-BA-44S](#) [K86X-ED-15S-BR15](#) [K86X-ED-15SK](#) [L177HDE15SOL2RM23](#) [L177HRC62S](#) [L177HRC62SVFM](#) [L177HRCG62S](#) [L717HDBH44POL2RM5](#) [L717HDEG15POL2RM5](#) [L77HDA26SVF](#) [L77HDE15SD1CO](#) [L77HDEH15SOL2RM832](#) [DAMA-15S-WS](#)  
[443895-3](#)