



Cat6 UTP 90° Punch Down Keystone Jack

Part no.: KJ08C6U

Technical Features

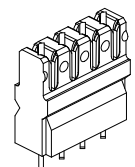
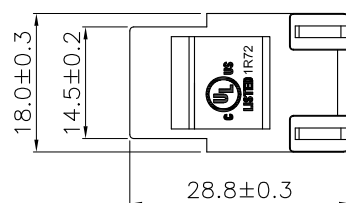
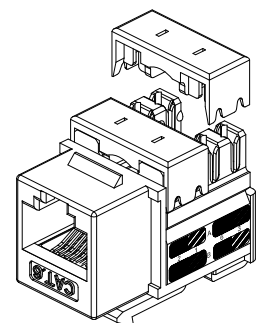
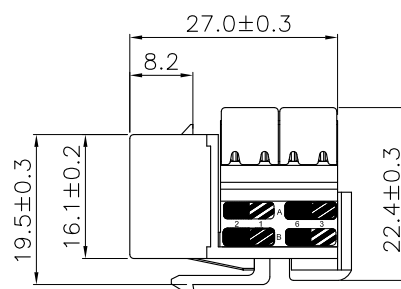
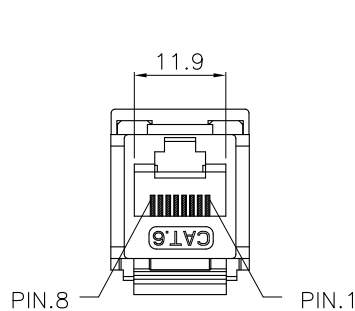
Cat6 unshielded keystone jack

Conform to TIA/EIA 568C.2 & ISO/IEC 11801

T568 A/B wire code for AWG22-26 cables

ETL-, 3P & UL certified

Technical Drawings



www.logilink.de



RoHS
compliant



* The specifications and pictures are subject to change without notice.
*All trade names referenced are the registered trademark of their respective owners.

Package Contents

Cat6 UTP 90° punch down keystone jack x 1

Packaging Informations

Packing Dimension	mm
Packing Weight	kg
Carton Dimension	480 x 390 x 253mm
Carton Q'ty	500pcs
Carton Weight	9.1kg

KJ08C6U



4 052792 031249

Made in China

www.logilink.de



RoHS
compliant



* The specifications and pictures are subject to change without notice.
*All trade names referenced are the registered namework of their respective owners.